

Power Tools
The First 100 Years

NEW: The Woodworking Hall of Fame™ Page 43

Better Homes and Gardens®

WOOD

THE WORLD'S LEADING WOODWORKING MAGAZINE

NOVEMBER 1997 ISSUE 100

The best basement shop ever!

Check it out on page 48

Great Projects

- Cyclone dust collector
- Mobile tool base
- Shop cabinet system
- Toddler bike



Display until October 27

Z-SERIES™

Dollar for dollar you can't beat Grizzly - You compare!

For the finest in woodworking machines, grab the Grizzly Z-Series. From the rugged G1023Z Table Saw with the innovative Shop Fox™ Fence to the newly-redesigned G1014Z, the Z-Series is just one of many examples of Grizzly's continuing commitment to outstanding tools at outstanding prices.

10" Tilting Arbor Super Heavy-Duty Table Saw

WITH U.S.A. MADE MOTOR!



FREE hat and saw blade!

G1023Z

\$1095⁰⁰

FEATURES:

- 3 H.P. 220V/18 amp single-phase motor
- 36" x 27" table with wings
- Table height: 34"
- 5/8" arbor
- Shop Fox® Fence
- Built-in dust port
- Cutting capacity: 3 1/8" @ 90°
- Cutting capacity: 2 1/8" @ 45°
- Includes 32-tooth carbide-tip blade
- Shipping weight: 425 lbs.

6" x 47" Jointer w/ Cabinet Stand

INTRODUCTORY PRICE!

G1182Z

\$395⁰⁰

FREE hat!



FEATURES:

- 1 H.P., 110/220V, single phase, ball bearing motor, prewired 110V
- Re-designed 4" x 29 1/4" fence system
- New cabinet stand w/ chip chute
- Shipping weight approx. 275 lbs.

10" Heavy-Duty Table Saw

FREE hat and saw blade!

G1022Z

\$449⁰⁰



FEATURES:

- 1 1/2 H.P. TEFC 16/8-amp motor
- 27 1/8" x 41" table w/ wings
- Precision beveled edge
- 32-tooth carbide tipped blade
- Shipping weight 270 lbs.



FREE hat!

This is one beautiful machine!

14" x 40" Swivel Head Wood Lathe

G1067Z

\$449⁰⁰

FEATURES:

- 1/2 H.P. TEFC motor, 1725 r.p.m.
- 13 3/4" swing over bed
- 40" gap between centers
- 6 speeds: 600-2100 r.p.m.
- Shipping weight 200 lbs.

Combination Sander 6" x 48" Belt — 9" Disc

SPECIAL OFFER!

G1014Z

\$169⁹⁵

Reg. \$199⁹⁵

Includes FREE hat!

FEATURES:

- Quick change belt release
- 9" cast iron disc
- Industrial bearings
- Cast iron construction
- 2" dust port
- Shipping weight 120 lbs.



70L

136797658

CALL, FAX OR WRITE ANYTIME - 24 HOURS A DAY, FOR A FREE WOOD OR METAL CATALOG!



1-800-523-4777

Cust. Svc: (717) 326-3806 FAX: (800) 438-5901

<http://www.grizzlyimports.com>

Circle No. 860

CONTENTS

37 Commonsense woodworking

Reap a harvest of tips and ideas from our seasoned craftsmen here at *WOOD* magazine.

43 Woodworking Hall of Fame

See what it takes to make our prestigious Hall of Fame while reviewing our first ten inductees.

68 Portable belt sanders

Learn the quality differences of this tool type as we test 14 models in the 3×21" and 3×24" sizes.

74 Toddler bike

This clever two-wheeler pedals like a trike and rides like a bike, while teaching kids balance.

80 The amazing evolution of power tools

Witness the impact of the electric motor on the woodworking tool industry in the 20th century.



Page 37

Page 74

Page 43

Welcome to IDEA SHOP™ 3



Page 48



Page 54

48 IDEA SHOP 3 Tour

Check out the ultimate in basement shops as we outfit a 12×16' room with must-see ideas.

6 Stay-put tool holders

Try our three quick-and-easy storage solutions for hanging clamps, pliers, and other items.

14 How to apply Hammerite paint

Discover the secrets for applying the durable finish featured in IDEA SHOP 3.

54 Cyclone dust collector

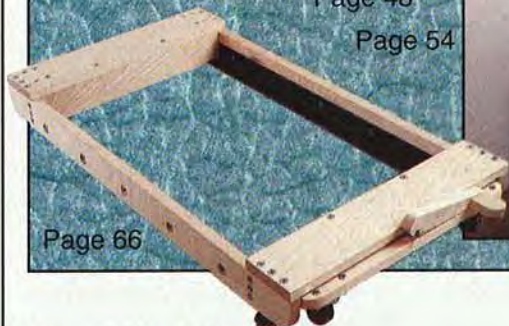
Build this powerful, yet quiet, wall-hung unit at a highly affordable cost.

62 Modular to the max cabinet system

Equip your shop with versatile storage that makes the most of perforated hardboard.

66 Roll-around tool base

Do your back a favor and put your stationary tools on wheels. Our plans adjust as needed.



Page 66

The Editor's Angle 2

Talking Back 4

Great Ideas For Your Shop 6

What Woodworkers Need To Know 8

Tips From Your Shop (And Ours) 16

Tool Buyers Update 30

Tool Listing 92

Products That Perform 106

Finishing Touches 120

Editor **LARRY CLAYTON**
 Managing Editor **JIM HARROLD**
 Art Director **C. L. GATZKE**
 Design Editor **JAMES R. DOWNING**
 Senior Editor/Features **PETER J. STEPHANO**
 Senior Editor/How-To **MARLEN KEMMET**
 Assistant Managing Editor/Products **BILL KRIER**
 Senior Editor/Special-Interest **LARRY JOHNSTON**
 Associate Art Director **PERRY A. McFARLIN**
 Assistant Design Editor/Project Builder **JAN HALE SVEC**
 Project Builder **CHARLES I. HEDLUND**
 Senior Graphic Designer **CHERYL A. CIBULA**
 Production/Office Manager **MARGARET CLOSNER**
 Art Business Office Secretary **BARBARA HELPS**
 Contributing Editors **KIM DOWNING, DAVE HENDERSON,**
LORNA JOHNSON, ROXANNE LeMOINE, BOB McFARLIN,
MIKE SATTERWHITE

©Copyright Meredith Corporation 1997
 All rights reserved. Printed in the U.S.A.

Better Homes and Gardens® WOOD® magazine (ISSN-0743-894X) is published nine times a year in January, February, March, April, June, August, October, November, and December by Meredith Corporation, 1716 Locust St., Des Moines, IA 50309-3023. Periodicals postage paid at Des Moines, Iowa, and additional mailing offices. *Better Homes and Gardens* trademark registered in Canada and Australia. Marca Registrada en México. **ONE-YEAR SUBSCRIPTION PRICES:** U.S. and its possessions, \$25; Canada, \$36; other countries, \$45. Canadian GST Reg. #BN 12348 2887 RT. **POSTMASTER:** Send address changes to *Better Homes and Gardens WOOD Magazine*, P.O. Box 55050, Boulder, CO 80328-5050.

CUSTOMER SERVICE INFORMATION: For service on your magazine subscription including change of address, phone toll-free 800/374-9663. Or, write to *Better Homes and Gardens WOOD Magazine*, P.O. Box 55050, Boulder, CO 80328-5050. Please enclose your address label from a recent issue.

EDITORIAL INFORMATION: Address letters and questions to THE EDITOR, *WOOD Magazine*, 1912 Grand Avenue, Des Moines, IA 50309-3379.

ATTENTION RETAILERS: To carry *WOOD* magazine in your store, call 800/659-5990, or write, Select Title Program, *WOOD* magazine, 900 Kingsland, Batavia, IL 60510.



Better Homes and Gardens®



at <http://woodmagazine.com>

Check out *WOOD PLANS*® Online, one of the newest features of *WOOD ONLINE*. These downloadable plans, reformatted from popular projects previously published in *WOOD* magazine and *Weekend Woodworking Projects*® magazine, provide all the instructions, photographs, illustrations, and patterns needed to build a project. You can print it all out to take to your workshop. Start by downloading the free plan to test the process and make sure your system works properly with *WOOD PLANS* Online. 🌲

THE EDITOR'S ANGLE

Hey, Everybody Let's Celebrate

Welcome one and all to issue 100 of *WOOD* magazine. To help celebrate, we've gone to great lengths to prepare for you an issue that is befitting this grand occasion. Here are some of the highlights:

Beginning on page 37, you will find an article titled "*Commonsense Woodworking*." It's a collection of some great woodworking advice we've collected from the first 100 issues of this magazine. You'll read about how to get organized, which woodworking reference books we recommend, the best way to finish your projects, and lots of other helpful information.

And then starting on page 48, we present "*IDEA SHOP™ 3, The Basement Shop*." As with *IDEA SHOPS* 1 and 2, this 12x16' space features a bucketful of inventive ideas that you can put to good use in your shop. Highlights include plans for our super-efficient, easy-to-build cyclone dust collector; a mobile tool base; and our roll-out, flip-top tool cabinets, to name just a few.

I think you'll also find interesting the article "*The Amazing Evolution Of Woodworking Power Tools*." It will chronicle for you the advances that have been made during the 20th Century. For example, did you know that the first electric hand drill was a clunky contraption that weighed almost 17 lbs.? In contrast, today's cordless drills weigh in at less than 5 lbs. For the first time ever, you'll learn the fascinating origins of many of the tools you use in your very own woodworking shop.



Thanks to all of you readers who have supported us so generously during our first 100 issues. Stay with us and we'll treat you to an endless supply of great woodworking information and inspiration geared to your every interest.

And be sure to take a look at the article "*WOOD Magazine's Woodworking Hall of Fame™*" beginning on page 43. The 10 people who have been inducted in this inaugural year all richly deserve the honor, and we couldn't be happier to be able to do this for them. Thanks to everyone who helped us in the selection process.

Each year, we plan to induct two or three more people into the Woodworking Hall of Fame. And we would like your help in making our selections. Please see page 84 for more information about *WOOD Magazine's Woodworking Hall of Fame* and how you can contribute. 🌲

Larry Clayton



On the job with
Jack Rule Custom
Trim & Rail,
Dallas, Texas.

RIP IT UP,
THEN PACK IT UP.



The new DEWALT 10" Portable Table Saw is the first to deliver big saw performance with the convenience of portability. The DW744's telescoping fence extends to a full 24-1/2"

rip capacity. That's enough to tackle 4' x 8' sheets.

And, the saw's rack and pinion system keeps the fence consistently parallel to the blade for accurate cuts without repeated measuring. Simply retract the fence to carry the 64-pound saw to the next job. The large tabletop has a durable coating that won't mar your work. The saw runs on a 13 amp, high-torque motor and has a dust collection port. It's not just a table saw. It's a DEWALT. For more information, call 1-800-4-DEWALT.



Dedicated To Perfection.

BED POSTS IN STOCK

NO MINIMUM

VARIOUS
WOODS



A0802 PENCIL CANOPY
A0808 PLAIN POST
A0801 CANNON
A0800 BALL
A0807 REEDED POST
A0803 RICE BED



Adams Wood Products™ L.T.D., L.P.
974 FOREST DR., DEPT. M41
MORRISTOWN, TN 37814
TEL 423-587-2942 • FAX 423-586-2188

Circle No. 1002

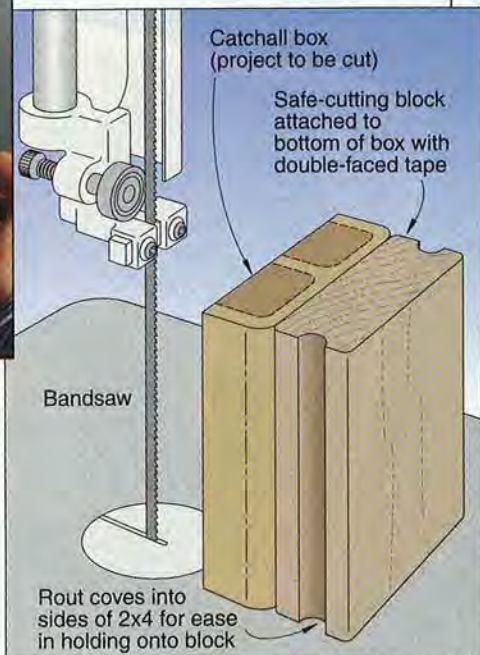
TALKING BACK

Bandsaw safety for the thumb

Congratulations on your "One Cool Catchall" box in the February 1997 issue. It's a nice design and I plan to make several for gifts. However, your photo on page 32 makes it look like a left thumb is about to get a trim. I would like to suggest a safer way to bandsaw the lid and bottom.

Use double-faced tape to attach a 2x4 block to the backs of the lid and bottom. The block will give you something safe to grip and provide a steadier base for cutting.

—Vincent Clarke, Wilmington, Del.



Vincent, we certainly agree that you can't place too high a priority on shop safety. Sometimes, a hand-screw clamp will help you shape small parts safely. But, in this case, your safe-cutting block works best

because a clamp might break the piece. As a further refinement, we suggest routing the edges with an internal bullnose (fluting) bit to improve the grip.

Better Homes and Gardens®

WOOD Advertising & Marketing

THE WORLD'S LEADING WOODWORKING MAGAZINE

Publisher **WILLIAM R. REED**
Advertising Director **MARK HAGEN**
Marketing/Ad. Services Supervisor **PAT HENDERSHOTT**

Display Advertising: 333 N. Michigan Ave., Suite 1101, Chicago, IL 60601 Phone: 312/853-2890 FAX: 312/580-7906
Eastern Advertising Manager **JAMES N. FORD**
Western Advertising Manager **WILL MURPHY**
Administrative Assistant **GERALLIE LEGASPI**

Direct Response Advertising: 1912 Grand Ave., Des Moines, IA 50309-3379 Phone: 515/284-3785 FAX: 515/284-3343
Direct Response Advertising Manager **LISA WIEMKEN**
Direct Response Advertising **CINDY ANDERSON**,
PATRICK MADDEN
Administrative Assistant **KRISTI HASEK**
Classified Advertising: Phone: 800/424-3090 FAX: 312/464-0512

Circulation Director **LIZ BREDESON**
Associate Circulation Director **KATHI PRIEN**
Business Manager **JANET DONNELLY**
Senior Product Manager **RICK GROW**
Publishing Director **MAX RUNCIMAN**

MEREDITH PUBLISHING GROUP

CHRISTOPHER M. LITTLE, President
BILL MURPHY, Custom Marketing; **JERRY KAPLAN**, Group Sales;
MAX RUNCIMAN, Controller; **BRUCE HESTON**, Manufacturing;
HAL ORINGER, Circulation; **DEAN PIETERS**, Operations



JACK D. REHM, Chairman of the Board
WILLIAM T. KERR, President and Chief Executive Officer

E. T. MEREDITH III, Chairman of the Executive Committee

Editorial position open at WOOD magazine

Do you have the skills necessary to join the world's leading wood-working editorial team? If so, we would like to hear from you. We want to hire a creative writer to help plan, research, and produce articles on tool, technique, project, and feature articles.

You must have a college degree in journalism or English, and a minimum of 3 years writing experience at a magazine or newspaper. A knowledge of woodworking processes and an interest in wood-working tools is essential. We're looking for a well-organized self-starter with an eye for accuracy and details, and the ability to trans-

late technical information into easy-to-understand, lively copy. Also, the ability to conceive strong photographic approaches to articles is essential. Good public contact skills are a must.

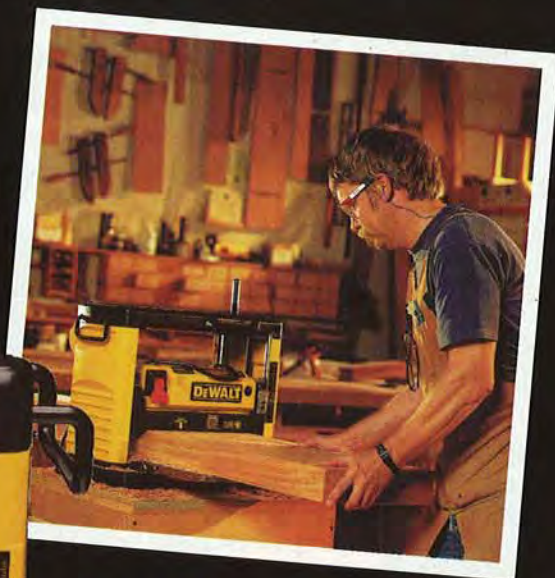
Location: Des Moines, Iowa
Please send your resume, writing samples, and cover letter with salary history in confidence to:
Ms. D. Neumann, Supervisor,
Corp. Staffing Services/Dept. 291
Meredith Corporation
1716 Locust Street
Des Moines, IA 50309-3023
Fax: (515) 284-2958
E-mail: dneumann@mdp.com
An Equal Opportunity Employer

Let us know what's on your mind

We welcome your comments, criticisms, suggestions, and even compliments. We'll do our best to respond, perhaps on this page!

Write to us at: Talking Back,
WOOD Magazine, 1912 Grand
Ave., Des Moines, IA 50309-3379.
Send e-mail to:
woodmail@woodmagazine.com

AVOIDING SNIPE IS A LOCK.



On the job with
O.B. Williams Company,
Seattle, Washington.

The exclusive four-column DEWALT Head Lock eliminates the movement that contributes to snipe. Simply push the handle to securely lock the cutterhead against four steel columns. With the cutterhead stabilized, the same amount of stock is removed from the entire length of the board. To further reduce snipe, the DW733 has large infeed and outfeed tables to stabilize and reduce movement of material passing through the planer. And, unlike other planers, the DW733 has the exclusive DEWALT turret depth stop to quickly and accurately return to pre-set thicknesses. The planer's easy-to-read magnified depth scale measures to 1/32", while a material removal scale measures to 1/64" and a calibrated depth crank measures to 1/16" per rotation. The DEWALT knife changing system features a magnetic gauge to accurately hold the knives in position and free both hands. It's not just a planer. It's a DEWALT. For more information, call 1-800-4-DEWALT.



Dedicated To Perfection.

Stay-Put Tool Holders

Our pegboard rack keeps tools at-the-ready

W all-mounted pegboard provides ideal tool storage—as long as you can get the hanger “pegs” to stay put. Faced with that challenge, we designed a number of tool holders for IDEA SHOP™ 3 that attach firmly, but take only a minute or two to move to a new, more convenient location on the pegboard.

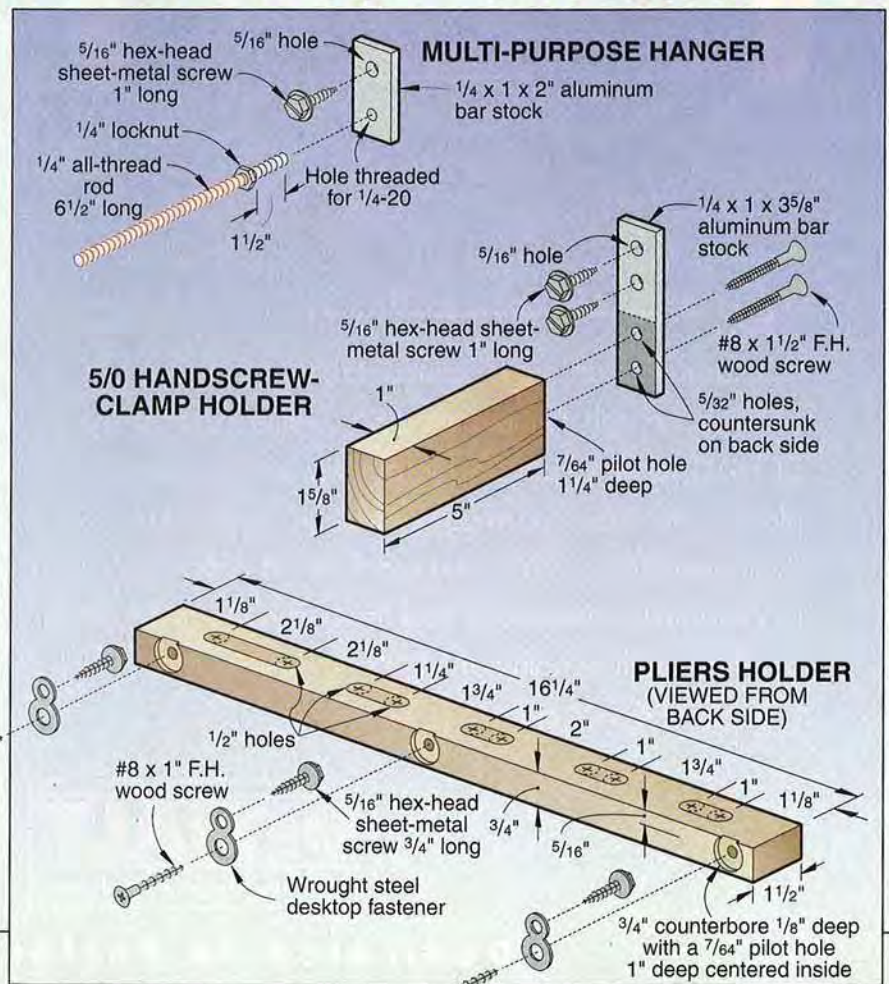
To make the pliers holder, mark slots where shown on the drawing below, and drill $\frac{1}{2}$ " holes at each end of the marked slots. Drill slightly overlapping holes to remove the stock between the end holes, and smooth up the sides of the slots with a chisel. Then, attach the wrought steel desktop fasteners (available from Woodworker's Supply, 800/645-9292) to the holder as shown.

The 5/0 handscrew-clamp holder, shown at right, mounts to the pegboard with a short length of $\frac{1}{4}$ "x1" aluminum bar stock and a hex-head sheet-metal screw. For larger size handscrew clamps, make the wooden block longer, and wider.

By using varying lengths of all-thread rod, you can create multi-purpose hangers for bar clamps or individual tools, such as the adjustable wrenches in the photograph. We dipped the all-thread rod in plastic coating for protection from sharp edges and to provide a no-slip surface to keep tools in place.

Note: When you install the mounting screws in the pegboard, just snug them up; overtightening will easily strip out the holes in the pegboard.

Project Design: Jim Downing
 Illustrations: Roxanne LeMoine
 Photograph: Bill Hopkins



THE FIRST THING IT CUTS IS VIBRATION.



On the job with
Spaghetti Western Furniture
Atlanta, Georgia.

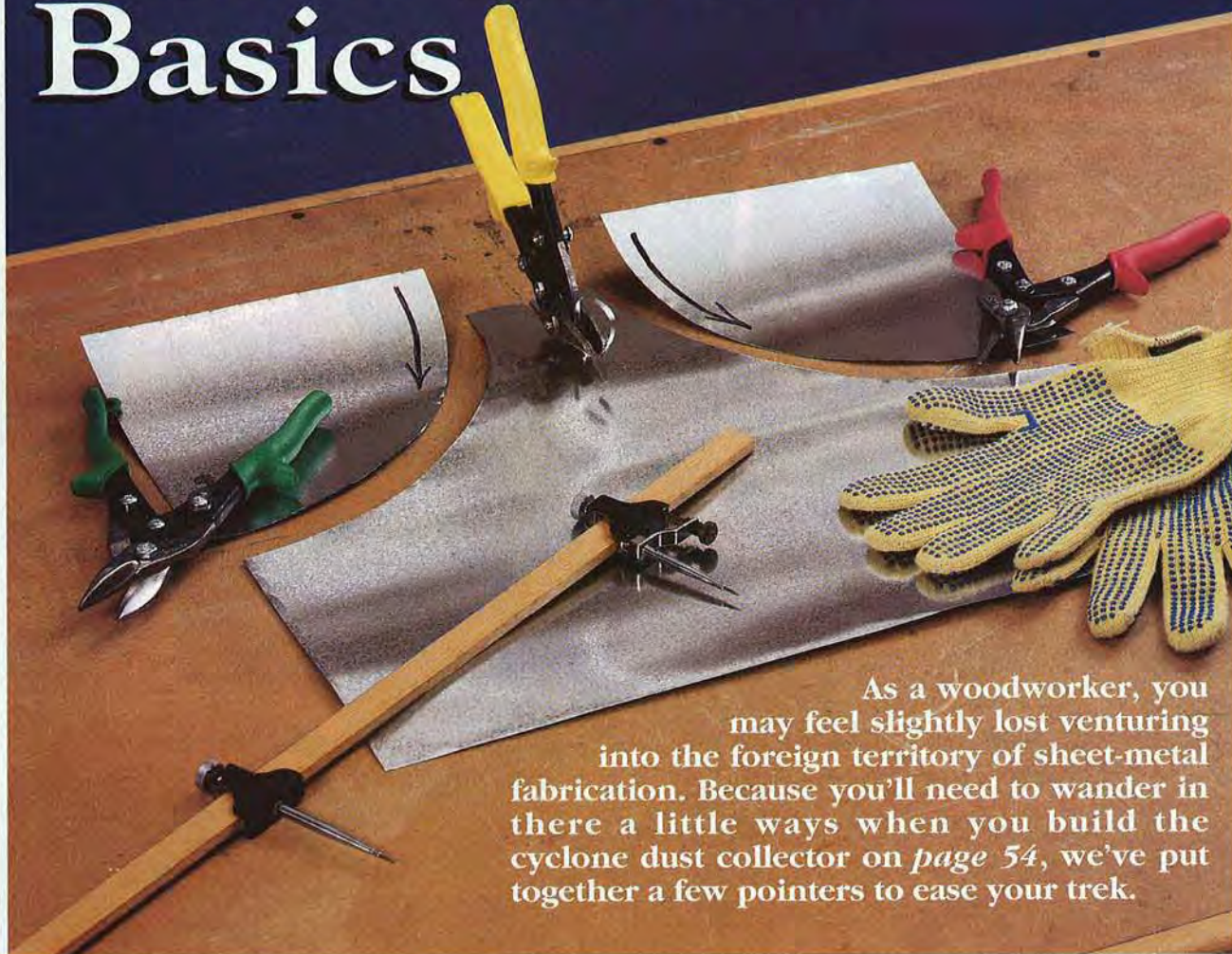


You won't find a smoother operating scroll saw than the new DEWALT 20" Variable Speed Scroll Saw. Vibration is dramatically reduced by a double parallel link arm design which has pivot points at the front of the saw. With the pivot points up front, less of the arm moves during cutting for a smoother and quieter operation. This design also keeps the blade perpendicular to the work, eliminating under- or overcutting. To make following a line easier, the DW788 has a fixed-position blade clamp to decrease deflection, while blade changing is made easy with the DEWALT tool-free blade change system. Conveniently, the on-off switch, electronic variable speed, flexible dust blower and blade tensioning lever are all located on the front upper arm so there is no need to reach around the saw for adjustments. An oversized cast iron table provides extensive material support and bevels 45° left and right for shadow boxes or inlays. It's not just a scroll saw. It's a DEWALT. For more information, call 1-800-4-DEWALT.



Dedicated To Perfection.

Sheet Metal Basics



As a woodworker, you may feel slightly lost venturing into the foreign territory of sheet-metal fabrication. Because you'll need to wander in there a little ways when you build the cyclone dust collector on *page 54*, we've put together a few pointers to ease your trek.

You'll need a few things

You may have some of the tools required already: a portable drill, twist-drill bits, scratch awl, center punch, and measuring tools. For large-diameter curves, a trammel like the one in the photo *above* will come in handy.

You'll also need snips for cutting the metal, along with pop rivets and a pop-rivet tool for joining the pieces of metal you cut. You can buy them at home centers or hardware stores.

Snips. For cutting sheet metal, we prefer aviation-style compound snips, shown *above*. Avoid the old-style tin snips with

long handles and short jaws; it's a hard tool to cut curves with.

Aviation snips cut in specific directions—straight, left curve, or right curve. Handle color signifies the direction.

Pop rivets. We like steel pop rivets $\frac{1}{8}$ " in diameter for light sheet-metal work. (The diameter indicates the size of the hole the rivet fits through.)

You'll find these rivets available in three lengths—short, medium, and long, corresponding to grip lengths of $\frac{1}{8}$ ", $\frac{1}{4}$ ", or $\frac{1}{2}$ ". Choose the nearest grip length longer than the thickness of the materials you're joining.

Aviation snips cut curves or straight lines. Arrows indicate the direction we cut to make the curves with the snips shown. The trammel with scribe comes in handy for layout, and gloves will protect your hands.

Pop-rivet tool. You can't install pop rivets without a special tool, shown in the photo on *page 10*. The tool is inexpensive, and any manufacturer's tool works with any brand of rivets, as long as they're the same diameter. Most pop-rivet tools feature interchangeable nosepieces, allowing one tool to set rivets of any diameter. A long nose like the one shown reaches into tight spots, making the tool easier to use and more versatile.

Continued on page 10

OK, Hold It.



Now Spread 'Em.



The innovative POWER PRESS™ Pipe Clamp, from the makers of QUICK-GRIP® Bar Clamps, is more than just a pipe clamp. By simply reversing the two movable clamping sections, it quickly becomes a spreader. Perfect for all kinds of woodworking applications, the POWER PRESS Pipe Clamp can do anything a regular pipe clamp can do, only faster. It works on both threaded and unthreaded pipe. And two rubber pads keep gripping surfaces from marring your work. The most versatile pipe clamp to hit the shelves, the POWER PRESS Pipe Clamp is going to revolutionize the way you work.

Look for it wherever quality tools are sold.

Power Press™
AMERICAN TOOL
COMPANIES, INC.

FROM THE MAKERS OF QUICK-GRIP® BAR CLAMPS

Continued from page 8

Safety gear. Sheet metal has sharp edges. And because it's springy, it sometimes seems to jump at you maliciously. Without protection, that can lead to a cut. Just as bad, tiny metal splinters can get under your skin, and they're harder to get out than wood splinters.

So, wear gloves. The yellow Kevlar-fiber cutproof gloves shown afford great protection. But any kind of work glove, even cotton gardening gloves, can save you from a painful cut. Wear long sleeves to protect your arms, too, especially when cutting curves in metal with snips. And you should always wear eye protection.

Laying out the lines

You can't count on your trusty sharp pencil for drawing layout lines on sheet metal. Pencil marks won't

show up well enough or last long enough to be of much help. Felt-tip pens and permanent markers write well on metal, but their wide lines hinder precision. Instead, scribe cutting lines with a scratch awl.

You'll also need a straightedge with a nonskid back. If you can't find one at a hardware store, try an art-supply store. Or, you can make a suitable substitute by sticking strips of double-faced tape to a steel ruler. Press the exposed face against your sleeve a few times to reduce the tape's tack before use.

Straight-leg dividers or a trammel works well for scribing arcs or circles on metal. To prevent the pivot point from skidding off center, stick a piece of masking tape or duct tape at the center. If the inside of the circle will be waste, you can simply center-punch the centerpoint to prevent skidding.

Cutting and joining tips

Before making the parts for your project, lay out some straight and curved practice lines on a piece of sheet metal. Then, cut along them to get the feel of your snips. Some snips, like the yellow-handled one shown in the *opening photo*, shear out a narrow strip to make a cut. (Often called duct snips, this one cuts straight or curves, and works well on stovepipe or other cylinders.) With this type, make sure you take the strip from the waste side of the cutting line.

When cutting with snips, closing the jaws all the way

leaves a jagged-looking edge on the metal, which looks crude and is difficult to eliminate. Instead, close the jaws most of the way, release pressure on the handles to let the jaws open, then push the jaws forward to continue cutting.

A lap joint is the simplest way to join sheet metal. And pop rivets provide a quick, effective means of fastening a lap joint, as shown *below*.

To make the joint, simply overlap the parts by at least 1/4" (or as specified by project instructions). Then, drill rivet holes through both pieces.

Mating holes must align exactly, so the best approach is to drill through both pieces at once. To do that, tape the pieces together or clamp them, using C-clamps or bar clamps and clamp blocks.

Mark the hole positions, and centerpunch them. For a neat job, align the rivet holes and space them evenly. Drill the holes with a twist-drill bit the same diameter as the rivet. Drill the first hole through both parts, then insert a rivet (without setting it) to keep the parts from creeping out of alignment while drilling the remaining holes.

(Designer/builder Jan Svec used tape a little differently for the cyclone project. He cleaned the joint area on the top face of one piece with lacquer thinner, then applied a strip of double-faced tape to it. Next, he cleaned the underside of the piece on the other side of the joint, and brought the pieces together. The tape held both parts in position while he drilled the holes and helped seal the riveted joint.)

It's easy to remove a pop rivet, too. Simply drill through the rivet head with the same size bit you used to drill the rivet hole. ♣



Squeezing the handles of a pop-rivet tool expands the tail end of the rivet to make a tight joint. The mandrel that extends from the rivet breaks off when the rivet is pulled tight enough.

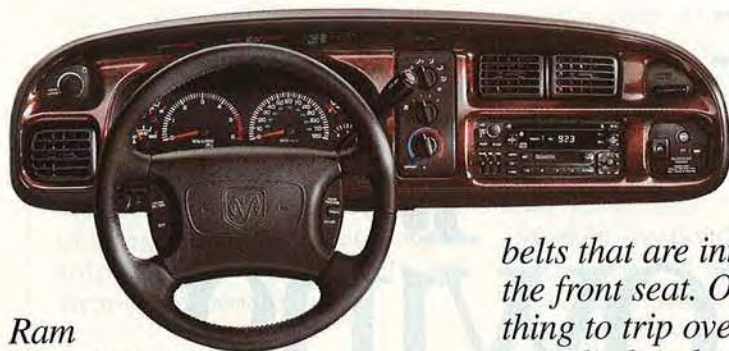
Written by Larry Johnston with Jan Svec
Photographs: John Hetherington

More power.
More torque.
More towing.
More payload.
More room.



More

The New Dodge



Ram already had more available power, torque, towing and payload than other full-size pickups. And, now, Ram Quad Cab, the first four-door extended cab.¹

Yet another first from The New Dodge: seat

belts that are integrated into the front seat. One less thing to trip over when you climb in back.



Quad Cabs. And horsepower ratings on our two Magnum V-8 engines have been increased to 230 hp on our 5.2L V-8 and 245 hp on our 5.9L V-8.

Our Magnum® V-10 and Cummins Turbo Diesel are now available on short-wheelbase 2500 Club and



doors.

Ram Quad Cab™



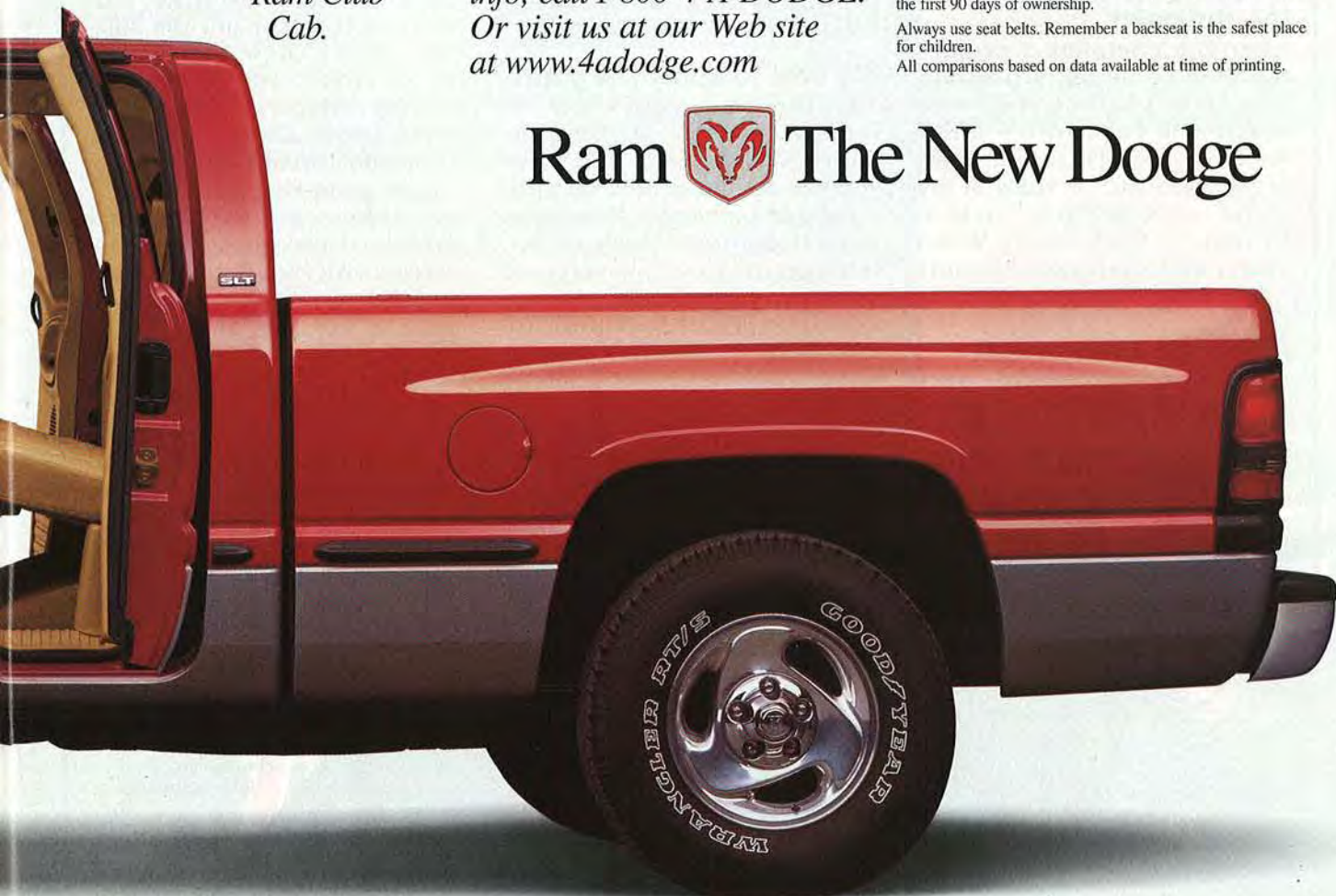
Building better bodies through super computers. Our four-door Ram Quad Cab has the same structural soundness and integrity as our two-door Ram Club Cab.

Dodge Ram is the only full-size pickup to be honored with the Strategic Vision Total Quality Award™ for "Best Ownership Experience." And it's won it for three straight years.² For more info, call 1-800-4-A-DODGE. Or visit us at our Web site at www.4adodge.com



¹Excludes Crew Cabs.
²Winner of Strategic Vision's 1995, 1996 and 1997 Total Quality Award™ for "Best Ownership Experience" in the Full-Size Pickup class, based on its 1995, 1996 and 1997 Vehicle Experience Studies™ of 31,440 ('95), 35,652 ('96) and 31,521 ('97) Oct.-Nov. new vehicle buyers of 170+ ('95) and 200+ ('96 and '97) models after the first 90 days of ownership.

Always use seat belts. Remember a backseat is the safest place for children.
All comparisons based on data available at time of printing.



Ram  The New Dodge

HOW TO APPLY

HAMMERITE

The finish we used on the IDEA SHOP™ 3 cabinetry

When researching a finish for IDEA SHOP 3, we looked for a tough, durable product that hides filled nail holes and covers the textured surface of particleboard. At the same time, the finish had to look terrific and clean easily. Fortunately, we ran onto Hammerite, a paint that many machinery manufacturers use on their tools. It makes wood look and wear like metal. Here's our shop-tested method for applying this impressive product.

Prepping the project for the paint

After you complete a project, round over all edges possible. Even those you'd normally leave square will paint better with a 1/16" round-over. Fill the cut edges of particleboard or voids in plywood with a putty such as Durham's Rock Hard Water Putty, and sand them smooth when dry.

Prime the surface next

Good ventilation is a must when working with this paint. The sol-

vent used in Hammerite evaporates more quickly than regular mineral spirits (paint thinner). Observe normal precautions associated with open flames.

Prime all surfaces to be painted, taking special care to seal the porous edges of MDF (medium density fiberboard). Use either xylene-resistant oil-based primer or 100% acrylic latex primer. Since MDF edges are notorious for soaking up finishes, apply one coat of primer to just the edges, followed by a second coat to the edges and surfaces. Left unprimed, the light-colored sheet goods will show through. Also, we found it beneficial to tint the primer close to the finish color. After the primer dries, sand it lightly with 220-grit sandpaper.

It's time to apply the paint

Thin Hammerite with either the manufacturer's proprietary thinner or xylene, using four tablespoons of thinner to a quart of paint. Left unthinned, Hammerite is too thick to apply with a roller. Hammerite has a marbled appearance even in the can and does not blend to a uniform appearance like an ordinary enamel. Regardless, make sure to stir it well.

Apply Hammerite with a 1/4" nap mohair paint roller. We prefer the mohair rollers with "cut pile" over fuzzy nap rollers. Hammerite tends to pull fibers out of fuzzy rollers and leave them in the finish. Mohair rollers also leave a more uniform paint texture on the wood.

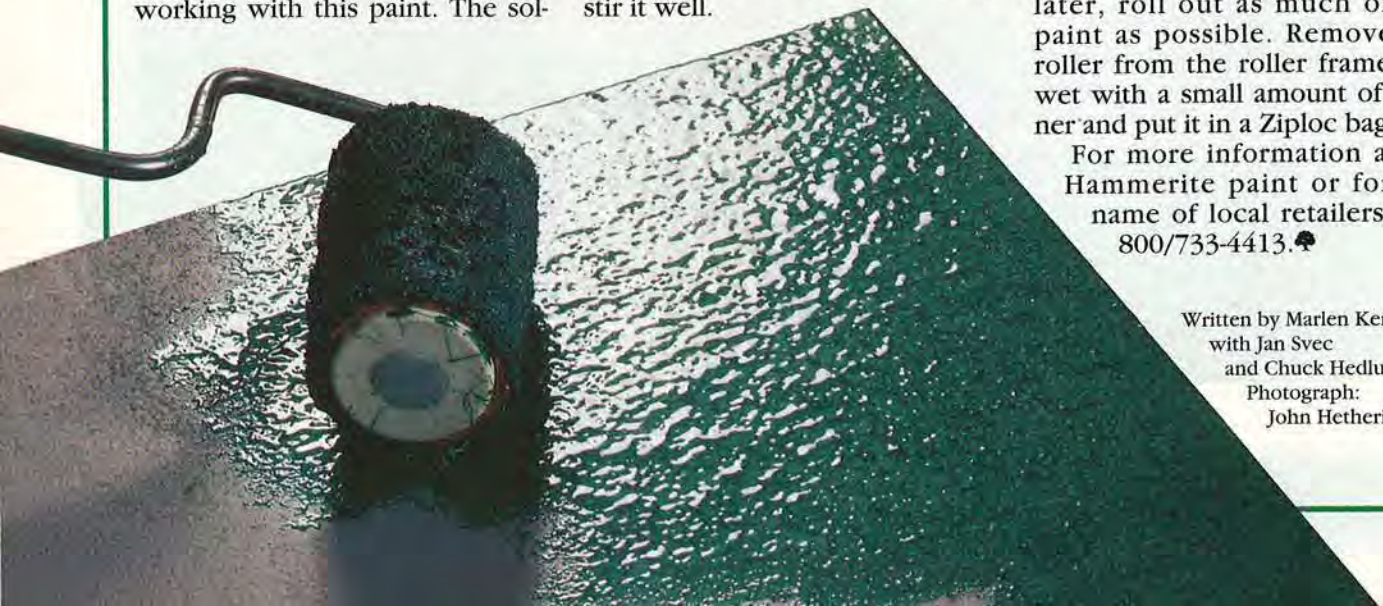
Apply a fairly heavy coat of the Hammerite. Then, without applying more paint, go back over the surfaces, rolling in just one direction for a more uniform coverage. Minor lap marks will blend in as the paint dries.

The paint is very thick and will sag on a vertical surface. Since it dries to the touch in about 30 minutes, we suggest you paint a horizontal surface, let it set, turn the project, and paint the adjacent surface (now horizontal). Let the project with two painted adjacent surfaces sit overnight in a heated shop. Left in a cool area, it dries and hardens very slowly.

Next, paint the opposite adjacent surfaces. Don't set a painted surface on spacers until it's completely hardened. If you're waiting for a surface to dry, put the roller in the tray, and cover it with aluminum foil. When storing a roller overnight or for reuse later, roll out as much of the paint as possible. Remove the roller from the roller frame and wet with a small amount of thinner and put it in a Ziploc bag.

For more information about Hammerite paint or for the name of local retailers, call 800/733-4413.♣

Written by Marlen Kemmet
with Jan Svec
and Chuck Hedlund
Photograph:
John Hetherington



SD608

8" Diameter
29/32" Max. Cut

Max. RPM
6000

U.S. Patent No. 5,368,079
MADE IN ITALY

WARNING: Read And Follow The Instruction Manual Provided By The Manufacturer Of Your Machine Before Installing Or Operating This Cutting Tool. Read And Follow All Safety Instructions Packaged With This Product. Use on Hardwood, Softwood, Plywood, and Wood Composition Material. Never Use Chippers Alone. Always Use Both Outside Blades To Reduce The Risk Of Eye Injury. Always Wear Eye Protection. Keep All Guards Provided With Your Machine In Place And In Good Working Order. Keep Hands Away From Cutting Area. Keep Hands Away From Blades. Do Not Perform Operations Freehand And Always Use A Push-Stick For Narrow Work. Do Not Reach Underneath, Around, Or Over Blade While It Is Turning. Do Not Attempt To Remove Cut Material While Blade Is Moving. Do Not Cut Warped Material With The Convex Side Toward The Table Of A Radial-Arm Or A Table Saw.

Teeth: 24 Outside
4 Chippers



"Freud's new Dial-A-Width Dado set is the most innovative dado set we've ever seen."

American Woodworker Magazine, December 1996

Spend your time being totally amazed with this incredible dado but don't spend a lot of time looking for shims . . . there aren't any. Now with a turn of the dial you can have the super fine adjustments that you have always needed in a stack dado. No more shimming and no more wasted time . . . a simple click of the dial is all that you need.

The new Dial-a-Width dado is the best dado that has come along in years. See for yourself how easy it is to use on your table saw or radial arm saw. Check out the precise joints. Look at the flat bottom groove. You will know immediately that it is not a wobble dado. Notice that the sharp, splinter-free cuts are those that you have come to expect from Freud. This dado produces the best finish and highest quality cuts of any dado available today.

The Dial-a-Width dado does perform like a stack dado but we have replaced the shims with a patented dial system. With our exclusive hub dial you can be totally sure of the accuracy of your adjustments. Each "click" of the dial adjusts the blade by .004". These are very precise adjustments. But if you need a closer adjustment . . . no problem. Simply stop the dial between "clicks".

The Dial-a-Width dado is easy to use, very precise and provides exceptional cuts. For the serious woodworker, there's nothing better.

freud®

Precisely what you need.

Call for a free catalog 800-472-7307, or E-Mail freudinc@aol.com



Splinter free, flat bottom grooves in all materials including problem materials like veneered plywood or melamine.



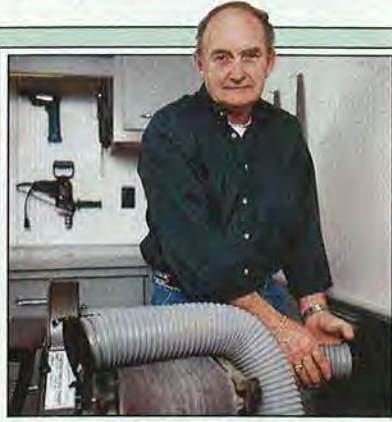
Dial system with precise width adjustment, eliminates shimming.



Includes arbor wrench and a sturdy storage case.

Always disconnect power before making adjustments. Red is a registered trademark of Freud, USA, Inc.

U.S. Patent 5,368,079



John Hardy shows off his winning shop tip, a nifty idea that helps him keep his shop dust-free.

As he prepared for retirement a couple of years ago, John Hardy completely gutted his shop, rewired it, and installed a central dust-collection system, a furnace, air conditioner, and lots of storage.

During the reconstruction, John's interest in another hobby—camping with a motor home—helped him come up with the tip at right. We liked John's tip so well that we used it to connect several IDEA SHOP™ 3 tools to our cyclone dust-collection system.

Your solution to a particular woodworking problem may be worth \$40. If it's selected as the Top Shop Tip, you'll win a tool prize valued at \$250 or more, and we'll include your photo in this column. To submit a tip, send a letter, including your daytime phone number, and a photo or drawing of your idea, to:

**Tips from Your Shop
(And Ours)**

WOOD® Magazine
1912 Grand Ave.
Des Moines, IA 50309-3379

We try to publish original shop tips only, so please send your idea only to WOOD magazine. Also note that we cannot return submissions. Thanks!

Bill Krier

ASSISTANT MANAGING EDITOR

RV hose fittings speed dust collector hookups

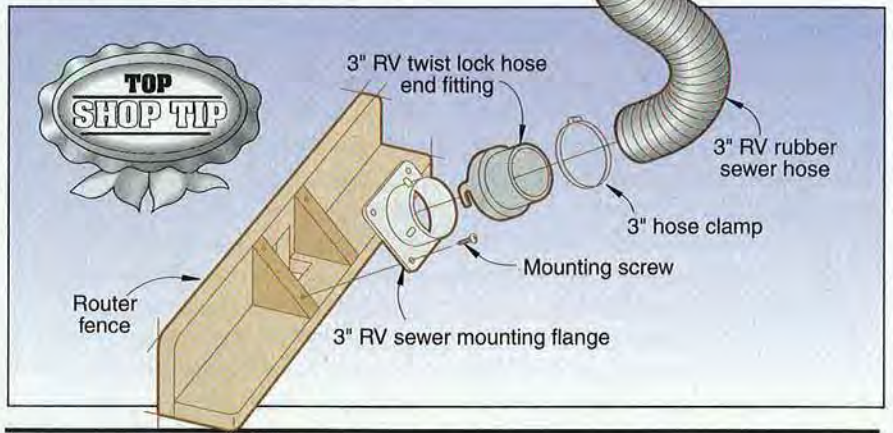
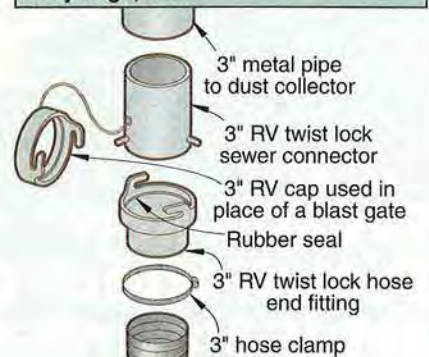
When I recently remodeled my shop, I installed a dust-collection system and enclosed the ductwork within my shop walls. But I soon had more equipment than outlets and no easy method of adding more collection ports.

To make my limited number of ports serve more machines, I bought some recreational vehicle (RV) sewer hose fittings, as shown below. With these, I can quickly disconnect the hose from one machine and connect it to another machine nearby. The crushproof rubber hose flexes easily, and extends to reach several machines. The fittings lock down tight—thanks to their waterproof rubber seals—yet release with a quick twist.

—John Hardy, Winston-Salem, N.C.



For submitting the Top Shop Tip, John Hardy receives a 50" JET Xacta Commercial Tablesaw Rip Fence. Way to go, John!



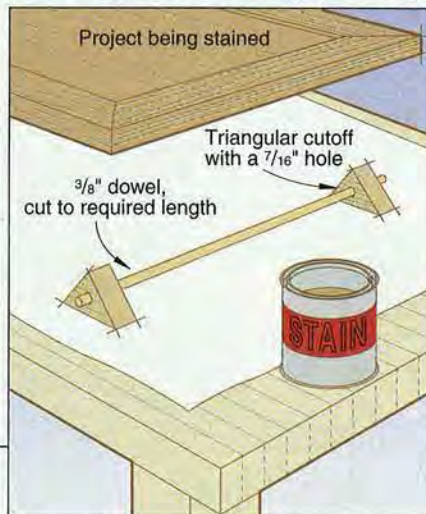
Triangular cutoffs come in handy for staining jig

After I stained one side of a paneled door, I was looking for a way

to hold it so I could stain the other side. Since I had mitered the corners of the door frame, I had some triangular cutoffs in my scrap bin that were just what I needed.

The triangular scraps support the piece being stained only on their "peaks." Drilling holes in the cutoffs and inserting a dowel helps keep the blocks from tipping over. You can adjust this simple jig for any width project by sliding the blocks along the dowel. For larger pieces, simply use a longer dowel.

—Norman Crowfoot, Tucson



Continued on page 18

WARNING HIGH POWER

14.4V
2.0 Ah

18 Torque
Settings

Keyless Chuck with
patented Hand-Tite®
feature for easy bit
installation

Push Button
Forward/Reverse
Switch operates from
both sides of tool

Powerful
Makita
Motor for high
performance

Externally
Accessible
Brushes
for easy
replacement

CORDLESS FOR THE *LONG-RUN*

TORQUE



Unlike other cordless drills on the market, the Makita is built to last. It features a Makita designed and manufactured motor for greater durability and externally replaceable carbon brushes for longer life – a Makita exclusive. In fact, the motor of this drill lasts almost five times longer than other industrial cordless drills. Add the power of our 14.4 volt, 2.0 Amp hour battery and you've got a drill that delivers the highest torque-to-run time in its class. With the lighter weight and overall ergonomic design you can work longer with less fatigue.

Durable. Tremendous torque. Longest run time. Low weight. Most Comfortable. Makita's 14.4V drill is definitely built for the "Long Run".

For more information, call 1-800-4-MAKITA

Competitive models tested: Bosch 3610/3610R, DeWalt DW991/DW991K, Porter Cable 872-9872.

Model
6233DWAE

Makita

IT'S ALL THE POWER YOU NEED.®

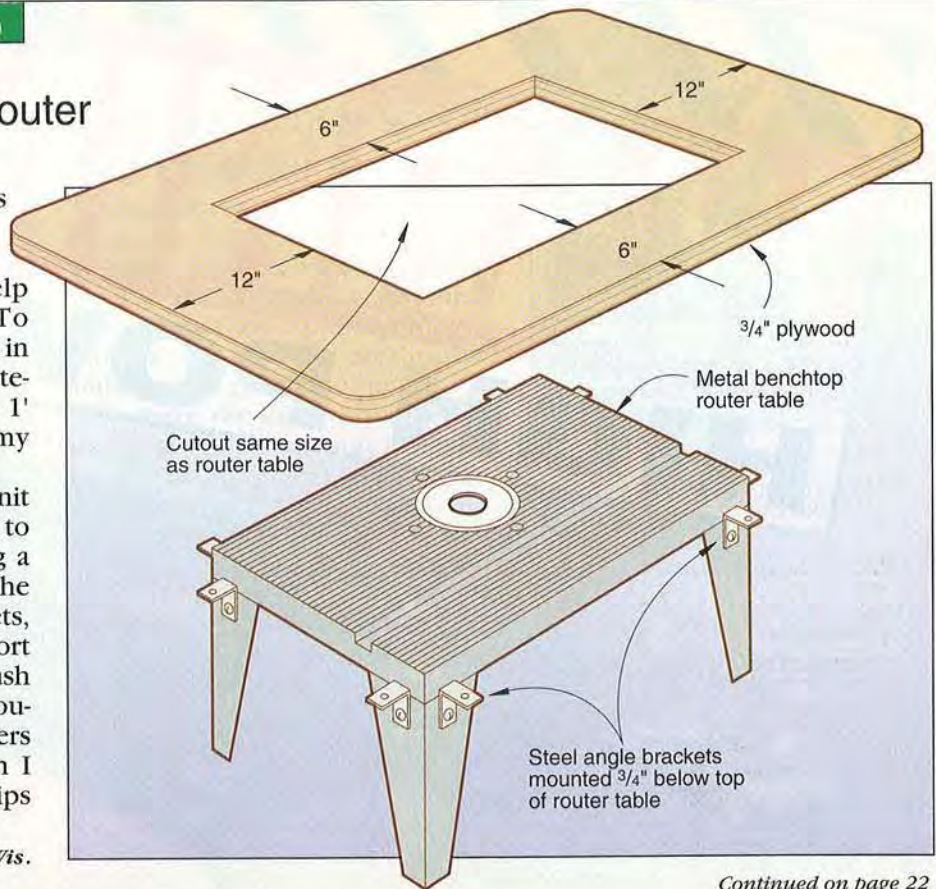
Continued from page 16

Auxiliary top boosts router table's capacity

My benchtop router table works just fine for most of my projects. But I occasionally need more work surface area to help support large workpieces. To meet those needs and still work in my small shop, I built a laminate-covered auxiliary top that adds 1' of width and 2' of length to my existing router table.

I turned the metal benchtop unit upside down on the larger top to mark the table's location. Using a jigsaw, I cut out the hole for the router table. Right-angle brackets, bolted to the router table, support the auxiliary top and keep it flush with the regular tabletop. A couple of screws at opposite corners hold the top in place. When I don't need the larger top, it slips off and stores out of the way

—Ann Clausen, Racine, Wis.



Continued on page 22

A breakthrough in wet/dry vac filter performance

From the makers of GORE-TEX® Fabric

Traps five times more fine dust than ordinary wet/dry vac filters

Even drywall dust. Tests prove CleanStream® Filters trap 99.7% of all particles at 0.3 microns, compared to less than 20% for conventional filters.

Truly washable for longer life

CleanStream® Filters shed dirt with a simple rinse under running water. By combining moisture-resistant material with exclusive "non-stick" technology, they resist clogging and won't degrade when used to vacuum liquids.

Fits all major brands of wet/dry vacs

Whether you currently use a cloth disc, cartridge or bag filter, there's a CleanStream® Filter to replace it— with no modification to your wet/dry vac. Plus, each filter carries a full one-year limited guarantee.



Buy CleanStream® Filters at your local home center or hardware store, or call 1-800-758-6755.



CleanStream®
WET-DRY VAC FILTER





This Delta exclusive gives you a lock on snipe control. Patent-pending cutterhead snipe control lock stabilizes the cutterhead during operation, for complete rigidity.



Those who've had a sneak preview have nice things to say about it. Priced in the middle of the pack—we're betting it'll end up at the head of its class.



Quick-change 2-knife system includes two high-speed steel, double-edged, reversible knives, a wrench and installation tool for quick and accurate knife changes.

Plane your own stock up to 12½" wide and 6" thick. All the way down to 1/8" thick.



Easy-to-read English/Metric Scale makes fast work of depth-of-cut settings.

Beware of snipers.



Grab it and go. Weighing in at only 65 pounds, it'll go to work wherever you want it to. Stash it out of the way when it's not in use.

Properly adjusted infeed/outfeed tables can go a long way toward snipe reduction. A low-friction stainless steel base, in combination with these adjustable infeed/outfeed tables, gives you a large smooth surface for moving stock through your planer.

Practical as they are, most portable planers are notorious snipers. If you're looking to minimize sniping without sacrificing portability, check out Delta's new 12½" Portable Planer (Model 22-560), with its exclusive snipe control lock. Call toll free for the name of your nearest Delta dealer. Delta International Machinery Corp., 800-438-2486. In Canada, 519-836-2840.

<http://www.deltawoodworking.com/delta>

THE POWER OF THE PROS

DELTA
 WOODWORKING MACHINERY
 A Pentair Company



Proud sponsor of The New Yankee Workshop on PBS.



3.5-HP,
VARIABLE-SPEED ROUTER



4-POSITION, 1/2-HP
ORBITAL-ACTION SAW



7.5-AMP,
1-HP IMPACT WRENCH



CRAFTSMAN 3-AMP, 5"
RANDOM-ORBIT SANDER



5-1/2" TRIM SAW

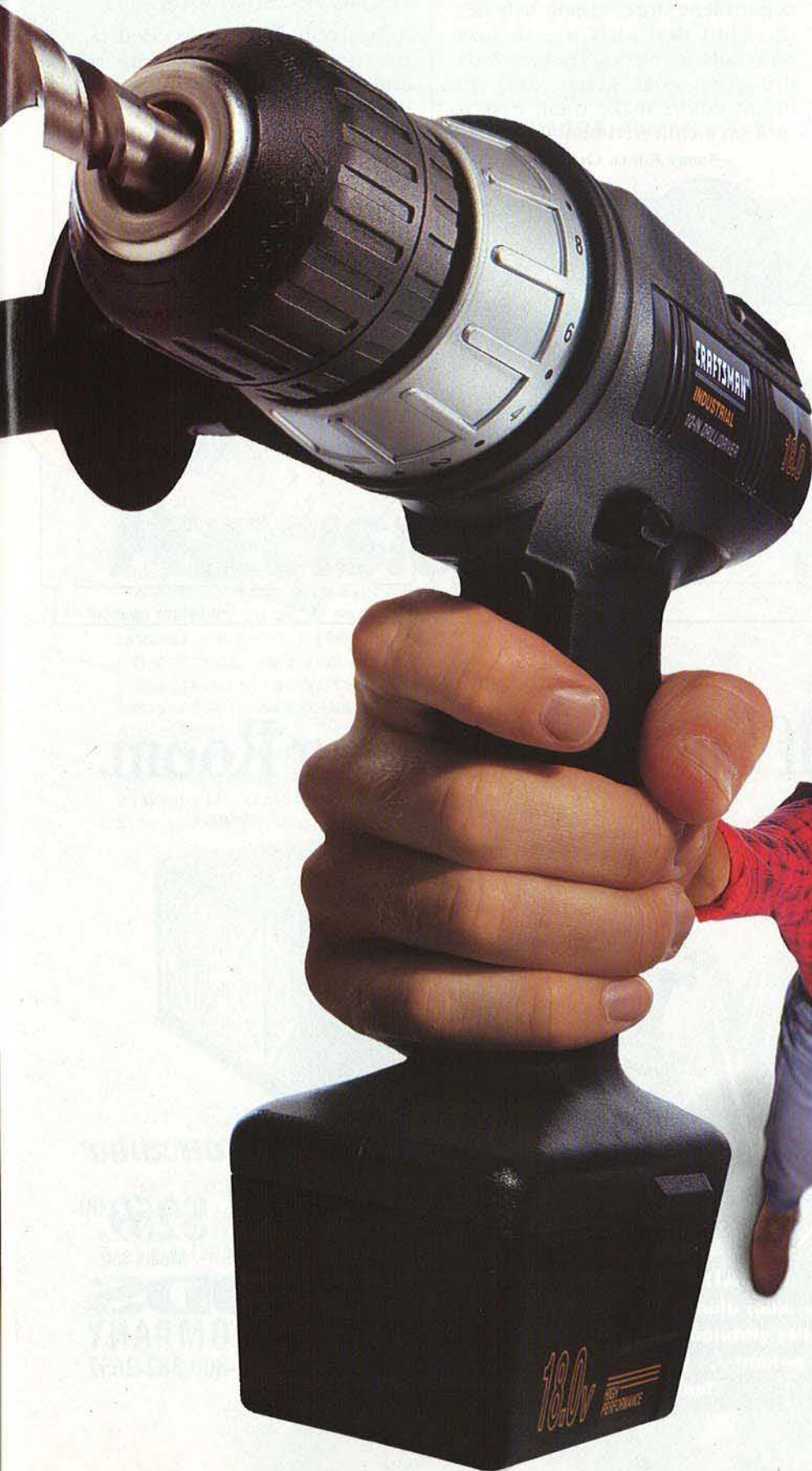


INTRODUCING 18 VOLTS OF PURE ADRENALINE. HANG ON TIGHT.

This is the drill that will give you a boost. Check out the new 18-volt cordless from Craftsman. Our most powerful cordless ever. Capable of driving through brick and concrete. Fully equipped with 345 lbs. per inch of torque, a two-speed gearbox, a 24-position clutch, 1400 RPMs and two rechargeable batteries. It's a drill you're gonna want to hold on to. And it's available only from Sears.

CRAFTSMAN

MAKES ANYTHING POSSIBLE



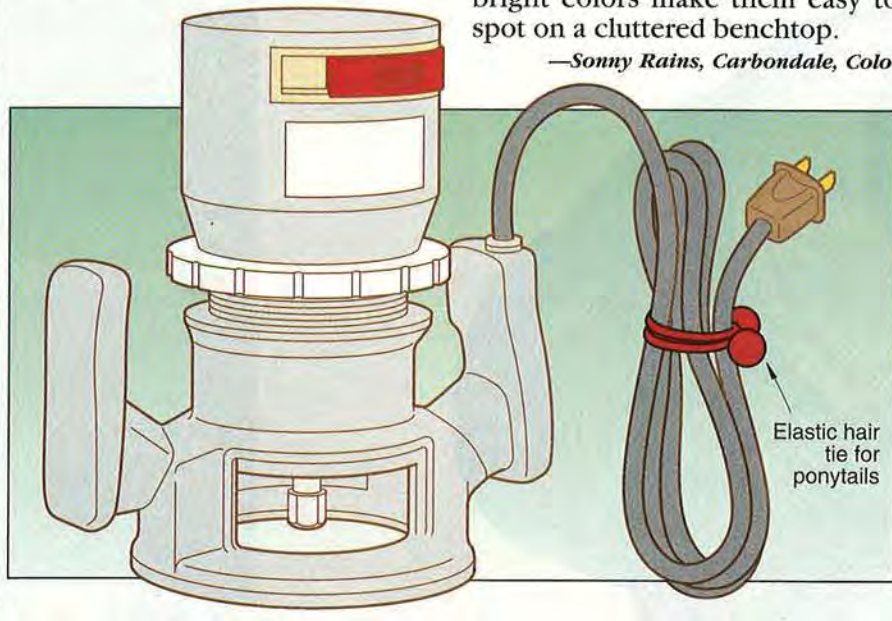
Continued from page 18

They hold ponytails or power cords

I like to keep my portable power tools out of their cases and on a shelf, where they're readily accessible. But I don't like dealing with all of those tangled power cords. I

found a simple solution at the department store: elastic hair ties, the kind that girls use to hold ponytails in place. They're inexpensive, work great, and the bright colors make them easy to spot on a cluttered benchtop.

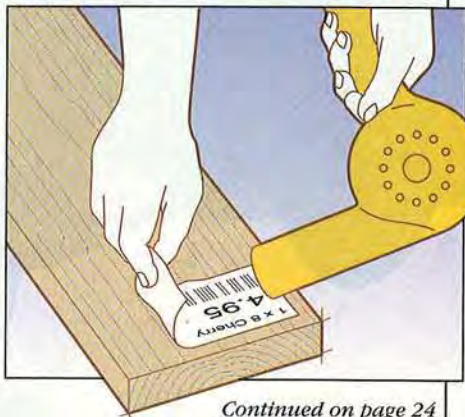
—*Sonny Rains, Carbondale, Colo.*



Hair dryer helps remove stickers

Adhesive-backed, bar-coded tags on lumber may speed up the checkout process, but it's tough to remove them later. I tried scraping, sanding, and solvents, but nothing worked very well until I tried a hair dryer. The heat softens the adhesive, and the tag usually peels off in one piece.

—*Robert S. Hall, Scarborough, Maine*



Continued on page 24

Give Yourself Some ^{More} Breathing Room.

The Best Just Got Better!

Introducing The New Model 350

- 55% More Air Flow
- Ultra Quiet
- 95% Ashrae tested main filter
- Lifetime Warranty
- 30 Day Money Back Guaranty.



*Better Homes and Gardens® WOOD® Magazine (Nov. 95)



JDS AIR-TECH 2000™

Recent medical studies show that breathing wood dust can be hazardous to your health. The JDS AIR-TECH 2000 will dramatically improve the quality of the air you breathe.

Our model 350 delivers 550 CFM of filtered air. This will clean the air in a 20 x 20 x 8 foot area ten times per hour. For larger areas, our dual speed model 8-12 will deliver 800 or 1,250 CFM of filtered air for only \$495. Our model 10-16 will deliver 1,000 or 1,600 CFM of filtered air for \$695.

The JDS AIR-TECH 2000 systems will remove 99% of particles as small as five microns and 80% of the particles as small as one micron.

Our unique design makes both ceiling installation and filter changing quick and easy.

For the removal of odors, fumes and smoke, our optional charcoal filter is available.

Another quality product from
Manufactured in the U.S.A.

To place an order or for the dealer nearest you call us toll-free.

And give yourself some breathing room.

\$259.00
Model 350

JDS COMPANY
1-800-382-2637

HITACHI® POWER TOOLS

The New C10RA Portable Table Saw

PRECISION

A PRECISION CUT RELIES ON A WIDE TABLE FOR SUPPORT, SO WE'VE PROVIDED THE LARGEST TOP SURFACE (34" X 19-5/8") OF ANY PORTABLE TABLE SAW.

EXACTNESS IS FURTHER ENHANCED BY THE SMOOTH CUT OF AN EXCLUSIVE 36-TOOTH ATB CARBIDE BLADE.

AND TO TOP IT OFF, THERE'S THE PRECISION ENGINEERED ELECTRIC BRAKE TO GUARANTEE METICULOUS CUTS AND HEIGHTENED SAFETY.

CALL
1-800-546-1666
FOR YOUR NEAREST
HITACHI POWER TOOL
DEALER.

SPECIAL OFFER FROM HITACHI!
When you buy one new C10RA portable table saw, we'll give you the metal stand absolutely FREE! That's a \$75 retail value. Call today . . . limited time offer while supplies last.

BUILT

DURABILITY MATTERS. WE'VE USED THE HIGHEST QUALITY COMPONENTS AND AN ALL METAL CONSTRUCTION TO BUILD A TOOL THAT IS TOUGH ENOUGH TO WITHSTAND THE MOST SERIOUS USE.

ADD A DUST CONTAINMENT SYSTEM FOR EASY CLEANUP AND YOU HAVE A SAW THAT IS AS EFFICIENT AS IT IS DURABLE.

POWER

JUST BECAUSE ITS PORTABLE DOESN'T MEAN IT'S PUNY. A 15 AMP, 5000 RPM MOTOR DELIVERS BIG POWER WHEN YOU NEED IT MOST.

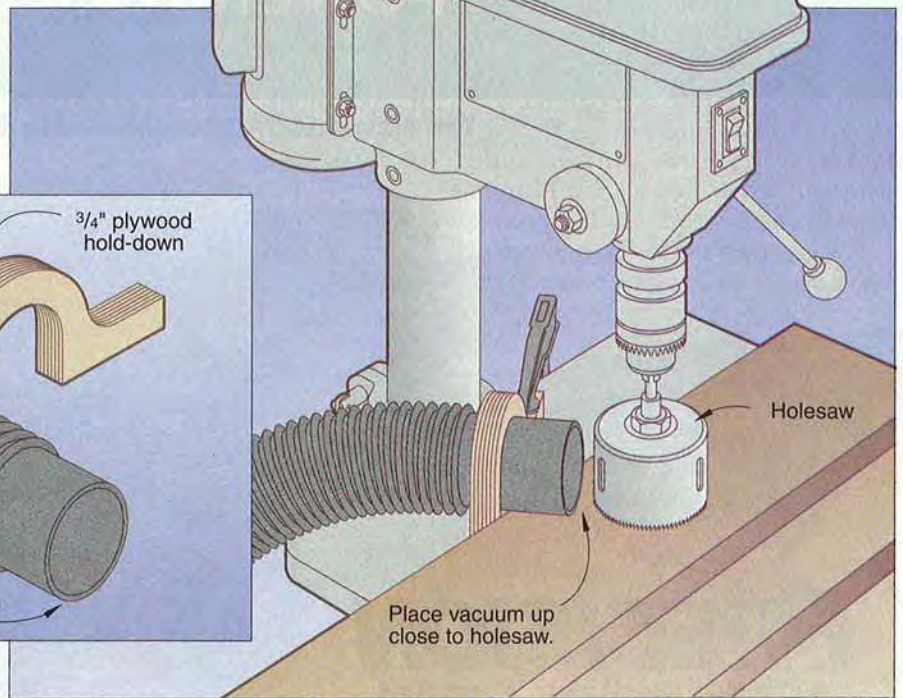
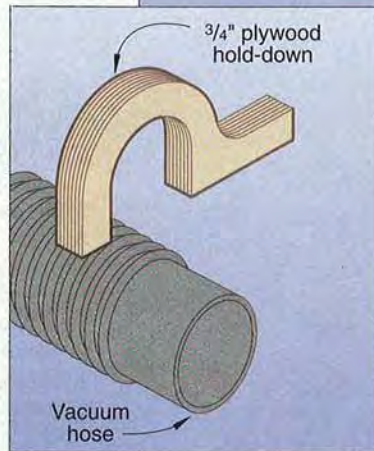
COMBINED WITH A 10" CARBIDE BLADE, THE C10RA WILL SLICE THROUGH ANY JOB, IN A FRACTION OF THE TIME.

Continued from page 22

Vacuum sawdust away to make holesawing easier

I used to struggle every time I mounted a holesaw in my drill press. The saw would quickly clog with sawdust and bind in the workpiece. To eliminate the problem, I built a simple hold-down, shown at *right*, that keeps my shop vacuum hose close to the holesaw. With the hose clamped in place and the vacuum running, I make a series of progressively deeper cuts, lifting the workpiece between plunges. This clears the sawdust from the saw's teeth and makes cutting holes much faster and less frustrating.

—Jim Downing, Design Editor,
WOOD® magazine



Continued on page 26

THE ARTISAN LINE

POWERMATIC® III



Model 44
14" Band Saw

Free - Three blades
\$36.00 value



Model 84
Belt/Disc Sander

Free - Five sanding discs and three belts
\$36.00 value

Optional stand



Model 64
Table Saw

Free - Carbide tipped blade
\$110.00 value

Value Added Package FREE
with purchase of any Artisan Line machine
Offer ends Dec. 31, 1997

<http://www.powermatic.com> or E mail: powermatic@worldnet.att.net

CALL 1-800-248 0144 FOR YOUR NEAREST POWERMATIC DEALER

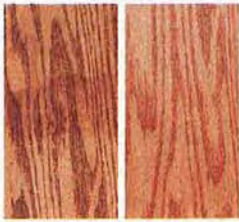


Smooth & Easy. The Way Clear Finishes & Saturdays Ought To Be.

The unique *Smooth Flow*[™] Formula in new *Olympic*[®] Interior Polyurethane makes it easier than ever to put a tough, durable finish on your stain projects.

And it's even easier when you start with new *Olympic*[®] Interior Wood Stain, with its unique *Absorption Control*[™] Formula that minimizes blotches, streaking and lapmarks.

Make every project easier. Call 1-800-441-9695 for a retailer near you.



Ordinary stain Olympic





"405 WOODWORKING PATTERNS FOR ONLY 2¢ EACH?"

IF YOU LIKE TO CUT PATTERNS OUT OF WOOD, THIS IS THE SET FOR YOU! YOU'LL FIND A TREASURE HOUSE OF IDEAS INSIDE. 405 BEAUTIFUL WOODWORKING PATTERNS AND DESIGNS.

(By Frank K. Wood)

FC&A, a Peachtree City, Georgia, publisher, announced today that it is practically "giving away" an all-new set of "405 Woodworking Patterns."

- Welcome signs for every occasion.
- Glider swing, adirondack table and chair.
- Gardening grandparents and bunny.
- Swinging scarecrow and a scarecrow on a fence.
- Giant rocking horse, carousel and sea horse tables.
- Potato bin chest and collapsible basket.
- Birdhouses and birdfeeders in different styles.
- Ye olde English carolers, Christmas yard ornaments.
- Whizzing whirligigs like the rowing fisherman, flying eagle, flamingo, mallard duck and swimming fish.

- Christmas mouse for your house, Christmas train in case of rain!
- Santas galore.
- Shelf sitter's see-saw collection.
- Kitty door stop and four seasons perpetual calendar.
- Comical clowns, napkin rings and shelf brackets.
- Holstein cow — with udders that shudder and swinging tail too!
- Southwestern cactus collection.
- Wooden toys for girls and boys.
- And much, much more!



Build all these wooden favorites. Illustrated plans include intricately detailed patterns and complete instructions. To order a set, just return this notice with your name and address and a check for \$7.99 plus \$3.00 shipping and handling, and we will send you "405 Woodworking Patterns." Or, for only \$9.99 plus \$3.00 shipping and handling, you can get both the basic set and an extra 100 patterns.

Plus, as a purchaser of our set of "405 Woodworking Patterns," if pleased, about every two months you will also be eligible for a first look and free trial preview of all companion pattern sets printed in the years ahead.

Send your check along with your name and address to: FC&A, Dept. AWZ-11, 103 Clover Green, Peachtree City, GA 30269.

You get a no-time-limit guarantee of satisfaction or your money back.

You must cut out and return this notice with your order. Copies will not be accepted!

IMPORTANT — FREE GIFT OFFER EXPIRES OCTOBER 28, 1997

All orders mailed by October 28, 1997, will receive a free gift, "50 Special, Seasonal, Woodworking Patterns," guaranteed. Order right away!

©FC&A 1997

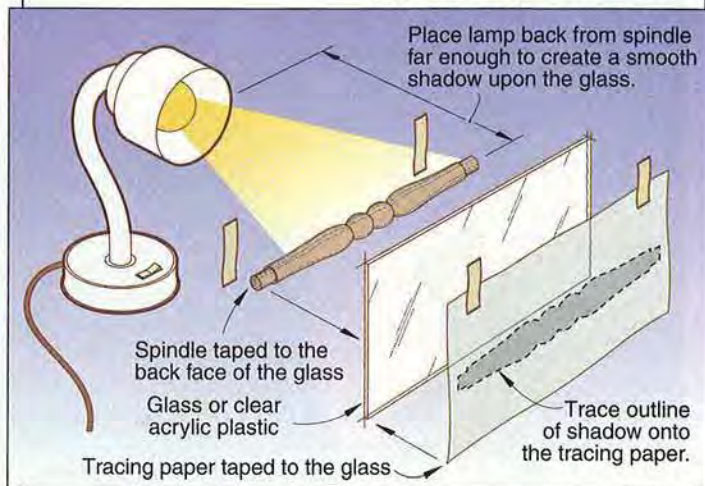
Continued from page 24

Tracing its shadow makes duplicating a spindle easier

I recently tried unsuccessfully to duplicate a small spindle from an antique toy chair. Because of its small size, measuring the spindle with dividers and calipers just wasn't accurate enough.

To make an accurate pattern, I taped the spindle to one side of a piece of glass, and taped some tracing paper to the other side. By shining a lamp on the spindle, I was able to trace the outline of its shadow on the tracing paper. Darkening the room makes the shadow easier to see.

—Jeff Gaynor, Rootstown, Ohio

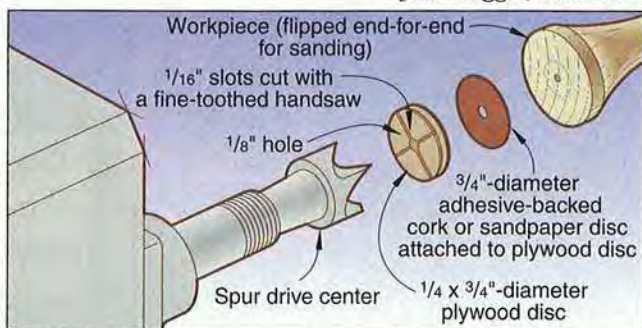


Flip your spindles for sanding

Sanding a spindle in the opposite direction that it was turned gives you a smoother finish. But since my lathe doesn't run in reverse, I had to come up with another solution.

I made a small plywood disc with a 1/8" hole in its center. Next, I cut two saw kerfs at right angles to each other across the face of the disc. Then, I applied adhesive-backed cork or sandpaper to the other side of the disc to give the disc a better "grip" on the end of the spindle. To use the disc, I flip a spindle end-for-end, and insert the disc between my lathe's drive center and the spindle, then sand the spindle smooth.

—John Saggio, New York



Continued on page 28

THE NEW RYOBI DETAIL BISCUIT JOINER

THE DIFFERENCE BETWEEN WOODWORKING AND WOODNOTWORKING.

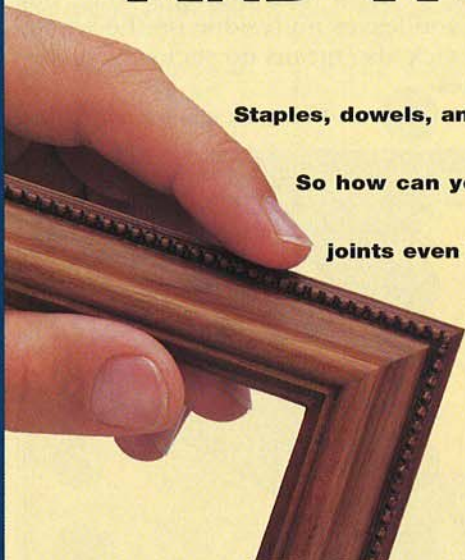
Staples, dowels, and glue won't do. Standard-size biscuits won't fit.

So how can you make neat, tight, professional joints even in small stock? With Ryobi's new

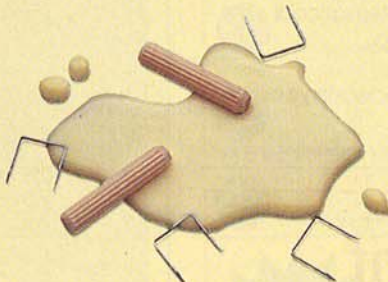
Detail Biscuit Joiner, that's how.



Standard biscuits stick out of small joints, and the mis-match shows, even after you trim the excess.



The new Ryobi Detail Biscuit Joiner uses miniature "Accu-biscuits" for neat, tight, professional joints.



This compact powerhouse cuts smaller slots and uses miniature

"Accu-biscuits™" to fit where standard biscuits don't. And its price

is as small as its biscuits. But the Detail Biscuit Joiner is big

on performance, from its beefy motor to its die-cast

base and see-through fence. So see the

new Ryobi Detail Biscuit Joiner at your

local home center. It'll get

your wood working like

never before.



Ryobi "Accu-biscuits" (actual size).



The Ryobi Detail Biscuit Joiner does everything that a bigger tool does, and fits in small joints where a bigger tool won't.

RYOBI
Exceed Your
Expectations™

Maybe 30 bucks will get you off the fence.



**THE
POWER
OF THE
PROS**
DELTA
WOODWORKING MACHINERY
A Porter Company

If you've been thinking about getting rid of that old clunker of a fence, maybe this will get you going.

Choose the premium fence that best fits your needs: A versatile, precision Delta Unifence® or a commercial-duty Biesemeyer® Fence. Make your purchase between August 1 and December 31, 1997, and we'll send you a check for \$30. That's one simple win-win situation. Call for the number of your nearest participating Delta dealer. Delta International Machinery Corp., 800-438-2486. www.deltawoodworking.com

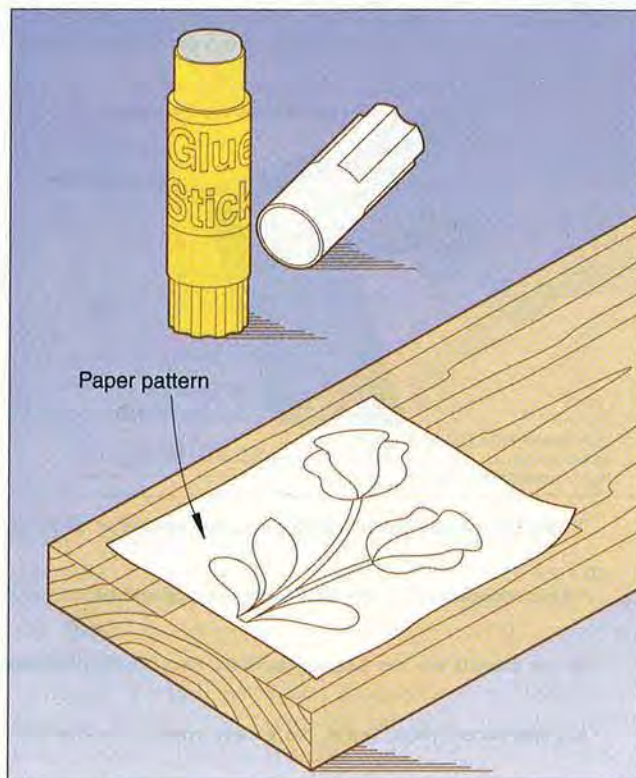
TIPS FROM YOUR SHOP (AND OURS)

Continued from page 26

Post-it glue keeps patterns in their place

I tried using spray adhesives to attach scrollsaw patterns to the wood blank, but I always found the aerosols messy and smelly to work with and hard to remove once I was done sawing. I recently found a great alternative that also lets me reposition the pattern—3M Post-It Removable Adhesive Glue Stick. I rub the glue stick on the back of the pattern and press it in place. It holds tight during sawing, but peels off easily and leaves no residue on the wood. Using the glue stick also means no sticky overspray or noxious fumes.

—Patrick W. Brown, Camp Zama, Japan



Paper pattern

The Intelligent One-Man Shop.



**FIVE
PROFESSIONAL
QUALITY
MACHINES
IN ONE.**

- ✓ 3 HP 10" tablesaw with 50" crosscut sliding table and 38" rip capacity.
- ✓ Cast iron mortiser
- ✓ Cast iron tables
- ✓ 3 HP shaper
- ✓ 12" jointer
- ✓ 12" planer
- ✓ 20-second function change

Call now for a free video!

LAGUNA TOOLS

(800) 234-1976

(714) 494-7006

<http://www.lagunatools.com>

2265 Laguna Canyon Road
Laguna Beach, CA 92651








A FEW MORE TIPS FROM OUR WOODWORKING PROS

- If you want clean air in your shop, check out our IDEA SHOP™ 3 dust collector on page 54. It incorporates a diesel truck air filter to catch even the smallest dust particles.
- Building our cyclone dust collector doesn't require a lot of metalworking skill. Using double-faced tape to hold pieces in position for riveting is just one of many sheet metal tips you'll find on page 8.
- For an easy way to hang wall cabinets in your work space, don't miss our IDEA SHOP™ 3 cabinets on page 62. ♣

Sanding Catalogue

Klingspor's Sanding Catalogue uses only Klingspor Abrasives industrial sanding products that are known throughout the furniture and woodworking industries as the premium products for sanding and finishing. These materials will outlast, outperform and outsand any other abrasive product in this business. Check out these deals!

DISCS Priced in packages of 5.

Lightweight Paper, Hook & Loop			Stearate Hook & Loop			Heavy E-weight paper, Hook & Loop			Cloth PSA Discs			
Size	Grit	Price	Size	Grit	Price	Size	Grit	Price	Size	Grit	Price	
4 1/2" / 8 holes 	100 & finer	\$1.90	4 1/2" / 8 holes 	100 & finer	\$1.60	4 1/2" / 8 holes 	100 & finer	\$2.75	5"	100 & finer	\$3.25	
	80 Grit	\$2.05		80 Grit	\$1.65		80 Grit	\$3.00		80 Grit	\$3.40	
	60 Grit	\$2.10		60 Grit	\$1.75		60 Grit	\$3.35		60 Grit	\$3.55	
	Assortment	\$2.05		Assortment	\$1.65		Assortment	\$3.00		50 Grit	\$3.75	
5" / 5 holes 	100 & finer	\$2.05	5" / 5 holes 	100 & finer	\$1.60	5" / 5 holes 	100 & finer	\$2.75		6"	100 & finer	\$4.65
	80 Grit	\$2.20		80 Grit	\$1.65		80 Grit	\$3.00			80 Grit	\$4.90
	60 Grit	\$2.30		60 Grit	\$1.75		60 Grit	\$3.35	60 Grit		\$5.20	
	Assortment	\$2.20		Assortment	\$1.65		Assortment	\$3.00	50 Grit		\$5.55	
5" / 8 holes 	100 & finer	\$2.05	5" / 8 holes 	100 & finer	\$1.60	5" / 8 holes 	100 & finer	\$2.75	6"	100 & finer	\$4.90	
	80 Grit	\$2.20		80 Grit	\$1.65		80 Grit	\$3.00		80 Grit	\$5.20	
	60 Grit	\$2.30		60 Grit	\$1.75		60 Grit	\$3.35		60 Grit	\$5.55	
	Assortment	\$2.20		Assortment	\$1.65		Assortment	\$3.00		40 Grit	\$5.85	
6" / 6 holes 	100 & finer	\$3.00	6" / 6 holes 	100 & finer	\$2.25	6" / 6 holes 	100 & finer	\$3.90		6"	100 & finer	\$6.20
	80 Grit	\$3.15		80 Grit	\$2.35		80 Grit	\$4.50			80 Grit	\$6.20
	60 Grit	\$3.35		60 Grit	\$2.50		60 Grit	\$4.95	60 Grit		\$6.20	
	Assortment	\$3.15		Assortment	\$2.35		Assortment	\$4.50	36 Grit		\$6.20	
6" / 8 holes 	100 & finer	\$3.00	6" / 8 holes 	100 & finer	\$2.25	6" / 8 holes 	100 & finer	\$3.90	Paper PSA Discs			
	80 Grit	\$3.15		80 Grit	\$2.35		80 Grit	\$4.50	Size		Grit	Price
	60 Grit	\$3.35		60 Grit	\$2.50		60 Grit	\$4.95	5"	100 & finer	\$1.05	
	Assortment	\$3.15		Assortment	\$2.35		Assortment	\$4.50		80 Grit	\$1.05	
6" / 16 holes 	100 & finer	\$3.00	6" / 16 holes 	100 & finer	\$2.25	6" / 16 holes 	100 & finer	\$3.90	6"	100 & finer	\$1.30	
	80 Grit	\$3.15		80 Grit	\$2.35		80 Grit	\$4.50		80 Grit	\$1.35	
	60 Grit	\$3.35		60 Grit	\$2.50		60 Grit	\$4.95	60 Grit	\$1.45		
	Assortment	\$3.15		Assortment	\$2.35		Assortment	\$4.50	Assortments include one each of 60, 80, 120, 150 & 180 grit.			

SHEETS Priced in packages of 5.

Silicon Carbide Wet/Dry Sheets			Aluminum Oxide Paper			
Size	Grit	Price	Size	Grit	Price	
9" x 11	220 & Finer	\$2.40	9" x 11	100 & Finer	\$1.75	
	180 Grit	\$2.60		80 Grit	\$1.75	
	150 Grit	\$2.75		60 Grit	\$2.00	
	4 1/2" x 5 1/2"	120 Grit	\$2.95	4 1/2" x 5 1/2"	100 & Finer	\$0.45
		100 Grit	\$3.40		80 Grit	\$0.55
		80 Grit	\$3.90		60 Grit	\$0.60
3 2/3" x 9"		150 Grit	\$0.85	3 2/3" x 9"	100 & Finer	\$0.65
		120 Grit	\$0.90		80 Grit	\$0.70
		100 Grit	\$1.00		60 Grit	\$0.75
	Aluminum Oxide Cloth	80 Grit	\$1.15	Stearate		
		220 & Finer	\$0.95	Size	Grit	Price
		180 Grit	\$1.05	9" x 11	100 & Finer	\$2.17
150 Grit		\$1.10	80 Grit		\$2.50	
120 Grit		\$1.20	60 Grit		\$2.80	
Aluminum Oxide Paper		100 Grit	\$1.35	4 1/2" x 5 1/2"	100 & Finer	\$0.63
	80 Grit	\$1.55	80 Grit		\$0.70	
	60 Grit	\$1.90	60 Grit		\$0.84	
	Aluminum Oxide Cloth	50 Grit	\$6.80	3 2/3" x 9"	100 & Finer	\$0.84
		40 Grit	\$7.30		80 Grit	\$0.98
		4 1/2" x 5 1/2"	100 & Finer		60 Grit	\$1.12
Aluminum Oxide Paper		80 Grit	\$1.45	9" x 11	100 & Finer	\$4.90
		60 Grit	\$1.90		80 Grit	\$5.25
		50 Grit	\$2.00		60 Grit	\$6.35
	Aluminum Oxide Cloth	40 Grit	\$2.15	4 1/2" x 5 1/2"	100 & Finer	\$1.95
		3 2/3" x 9"	100 & Finer		80 Grit	\$2.10
		80 Grit	\$2.10		60 Grit	\$2.50
Aluminum Oxide Paper		60 Grit	\$2.50	3 2/3" x 9"	100 & Finer	\$1.95
		50 Grit	\$2.70		80 Grit	\$2.10
		40 Grit	\$2.90		60 Grit	\$2.50

\$29

You'll receive 36 Industrial Sanding Belts. That's only \$.80 per belt! Six grit packs each containing 6 belts. (4" belt packs contain 5 belts.)

Choose a Size:
2 1/2" x 16", 3" x 18", 3" x 21", 3" x 24", 4" x 21" or 4" x 24"
You'll Get:
1 Pack: X Coarse (36-40 Grit), 1 Pack: Coarse (50-60 Grit),
1 Pack: Medium (80-100 Grit), 1 Pack: MedFine (120-150 Grit),
1 Pack: Fine (180-220-240 Grit), & 1 Pack: X Fine (280-320 Grit)



BOX OF BELTS

10 POUND BARGAIN BOX

This is not your typical "grab bag" offer - what you get is all useable. No trash involved. You get 10 pounds of an equal amount of coarse, medium & fine grit sandpaper pieces. Each piece is of a usable size and is first quality sanding product.



ONLY \$19.95

Call today for your free 80 page catalog
1-800-228-0000



Fax 1-800-872-2005
P.O. Box 3737, Hickory, N.C. • 28603-3737
www.sandingcatalog.com





Jesada router bits perform impressively in our hands-on trial

There was a time when router bits came in one basic color: gray. Today, a brand of router bits is likely to be known as much by its distinctive color (yellow, orange, red, blue, etc.) as it is by its name. Now, there's a white router bit that goes by the brand name of Jesada. Although the name may sound foreign, the bits are made in Oldsmar, Florida. Unlike most router bit manufacturers that sell only through distributors (hardware stores, home centers, and the like), Jesada also markets its white bits directly to the consumer via mail order.

Carlo Venditto of Jesada recently invited me to visit his factory. He was anxious to show me his new, computerized machines that grind the carbide tips on router bits (see photos *right*). After taking in his entire operation, I returned with a variety of router bits that tool tester Bob McFarlin put through their paces.

At the Jesada plant I saw three Walter Helitronic Power 5-axis grinding centers like the one in the photos. Unlike human-controlled grinders, the CNC (computer numerically controlled) Walter machines consistently grind complex tool geometries. That's because the machine can move the bit and grinding wheels in all five axes at one time, imparting a consistent relief angle to the grind along the curving profile of the bit. Such accurate grinding helps a bit cut efficiently, smoothly, and coolly along its entire cutting edge. As I watched bits emerge from the Walter machines, I noticed a mirrorlike finish on the face of the carbide—something I've not seen on other router bits.

Of course, this high technology doesn't mean much unless it yields bits that cut well. To find out, Bob tested these Jesada bits: 3/4" flush-trim, 3/4" cove, 3/4" dovetail, 1/2"



Above: State-of-the-art 5-axis CNC grinding centers put accurate and complex cutting edges on Jesada bits.



Right: This close-up shows a rabbeting bit and the diamond wheels that grind the carbide cutting edges.



round-over, 1/2" rabbeting, and a rail-and-stile set. He ran them through oak, pine, and maple, checking cut quality, ease of feed, and burning.

The Jesada router bits we tested performed as well as similar bits from the top-performing brands in our last major review of 18 makes of router bits in the December 1994 issue (pages 42-47). The Jesada cove bit especially impressed us. For example, although we normally don't recommend that you make a full 3/4" cove cut in oak in one pass, the Jesada bit made this cut with ease. Bob could hardly feel the bit enter the workpiece. The exceptionally sharp-edged bit removed large shavings of wood like those made by a

thickness planer with fresh knives. The cut was smooth, burn-free, and with no grain tearout. If you demand high-quality router bits, you won't be disappointed with these Jesada products.

—Bill Krier, Assistant Managing Editor

PRODUCT SCORECARD

Jesada Tools router bits

Performance	★ ★ ★ ★ ★
Price	Comparable to other premium brands
Value	★ ★ ★ ★ ★

Jesada Tools, 310 Mears Blvd., Oldsmar, FL 34677. Call 800/531-5559 or 813/891-6160.

Can't decide which router to buy?



Fixed Base

Plunge Base



Get Both.

Porter-Cable answers the oldest question in routing by introducing the 693PK, the only kit that gives you two routers in one. Each 693PK comes with Porter-Cable's 1-1/2 HP, 10 Amp router motor, long recognized as the standard of the industry. Also included is our machined-aluminum fixed router base and smooth-as-silk plunge router base. So now, with just one purchase, you get the versatility of owning the two most popular types of routers. You also get our 1/4" and 1/2" collets thrown into the deal, and a heavy-duty plastic carrying case with room for everything including your own 1/4" and 1/2" bits. So cover all your bases and visit your Porter-Cable retailer now. Because this limited time offer will disappear *fast*. Or call us at 1-800-487-8665 (519-836-2840 in Canada), for the dealer nearest you.

PORTER-CABLE

Professional Power Tools Since 1906
<http://www.porter-cable.com>

Porter-Cable is proud to be a co-underwriter of The New Yankee Workshop on public television.





DE WALT'S NEW BENCHTOP LINE

We put the sliding compound mitersaw, planer, and scrollsaw to the test



Based on their excellent performance in our tests, DeWalt's new benchtop machinery should carve out a solid position in the marketplace. (Sliding mitersaw shown with optional work clamp and dust bag; scrollsaw shown with optional stand.)

As we reported on *page 102* of the June 1997 issue, DeWalt recently entered the benchtop machinery business by unveiling four new products. Although DeWalt delayed the introduction of its tablesaw, we recently got our hands on the other three new machines and tested them in our shop. Here's what we discovered about each:

• **12½" thickness planer.** Although the totally snipe-free portable planer has yet to be invented, the DeWalt DW733 comes closer to this ideal than other machines in its price range of about \$460. (Snipe refers to the slight dishing cuts made at both ends of a thicknessed workpiece.)

Straight out of the box, the DW733 produced only .0005" of snipe when we planed ⅜" of material from a 3½"-wide oak board. When we increased the cut to ⅛" deep, the machine sniped to a depth of only .001".

As the ultimate test, we planed ⅜" of stock from the face of a 2×10" oak plank. The resulting snipe was only .0015" deep. Even in this deeper-than-recommended

cut, the planer exhibited ample power. We were impressed. After all, you can hardly see or feel .0005"-deep snipe, and you can remove .001" snipe with a light sanding by hand or with a palm sander. Snipe .0015" deep requires a random-orbit sander for quick removal.

Like the one on the new Delta model 22-560 portable planer, the elevating head on the DW733 locks on four steel posts. This, along with extra-long infeed and outfeed tables, contribute to the machine's low level of sniping.

We also enjoyed convenient knife changes with this machine. To replace the reusable knives, you simply align them with a pair of provided magnetic gauges and secure them with a plate and eight bolts. The knives do not shift around as you tighten the bolts. One drawback: In the event you get tiny nicks in the knives, you cannot shift them slightly to offset the nicks and avoid ridges in your workpiece. A DeWalt representative says his company is looking into possible solutions.

One unique feature we really liked about this planer: a three-

position depth stop turret like those found on routers. With it you can set up the machine for repeatedly planing stock to any of three stock predetermined thicknesses. We adjusted the turret for three precise stock thicknesses—¼", ½", and ¾"—and returned to those settings time after time for consistently thick material. We would like to see this innovative feature on all planers.

Unlike other portable planers, the DW733 directs shavings off the edges of planed boards rather than dumping them straight onto the workpiece. Even so, we recommend you use the planer with an optional dust hood (\$29-\$39). The hood has a 4" port for connection to a dust collector, and a 2½" adapter for shop vacuums.

• **12" double-bevel sliding compound mitersaw.** Here, too, it's obvious that the folks at DeWalt have done their homework. The DW708 competes admirably with the only other sliding mitersaws that bevel both left and right, the 12" Makita LS1211 and 10" Hitachi C10FS. Priced at about \$680, the DeWalt costs about \$100 less than

Continued on page 33



Print this article

Continued from page 30

the Makita and \$60 less than the Hitachi. But, the DeWalt does not come with a dust bag (\$14.95) or work clamp (\$34.95), both standard on the other two saws.

Of these three saws, we rate the DeWalt the most bulletproof. That, and its well-placed carrying handle, makes it a top choice for job-site work. The Makita has a smoother slide action and comes with a better blade. For precision work in the woodshop we prefer the Hitachi. Its electronics package gives it soft starts and consistent power under varying loads.

• **20" scrollsaw.** This machine is manufactured by Sommerville Design, the same company that makes the Excalibur line of scrollsaws that earned top marks in our October 1996 review of scrollsaws. The design and cutting action of the DeWalt DW788 closely matches that of Excalibur scrollsaws. And, at about \$500, the DeWalt sells for hundreds of dollars less than an Excalibur.

We liked nearly everything about the DW788, especially its low vibration, generous 23¾x16" teardrop-shaped table, convenient controls, and the steady stream of power provided by its AC motor at all cutting speeds from 400 to 1750 strokes per minute. The convenient blade-tensioning mechanism and an upper arm that lifts straight up 3½" combine to make blade changes easy. With proper adjustment and the right blade, the saw capably handled every cut we made in thin (¼" birch plywood), thick (2" oak), and stacked materials. It doesn't cut as fast as the Carmed Delta Q3, but it delivers smoother results.

The thumbscrew-operated quick-change blade clamps hold blades securely, but the bottom clamp tends to bend the blade slightly when tightened. A drop of oil on the swivel end of the thumbscrew fixed the problem. ♣

Written by Bill Krier
Product Testing: Bob McFarlin
Photograph: John Hetherington

One Stop Wood Shop

- Plywood & Veneer made to order (no min.)
- 30 species
- Custom Cutting
- Competitive Pricing
- We bundle & ship to U.S. & Canada
- Over 65 years of personal service

For catalog & quote: (617) 666-1340

Boulter Plywood Corp.


24-WD Broadway, Somerville, MA 02145

Where the finest cabinetmakers select & blend domestic & exotic hardwood in plywood, veneer & lumber.

WOOD

Circle No. 512

Now Available in DEFT'S Revolutionary APPLICAN™!



O I L B A S E

WOOD STAIN PLUS

- Fast Dry Formula
- APPLICAN "Through-The-Cap" Technology
- No Mess, No Over Spray!
- Easy Clean-Up
- Stains and Seals
- 10 Popular Colors



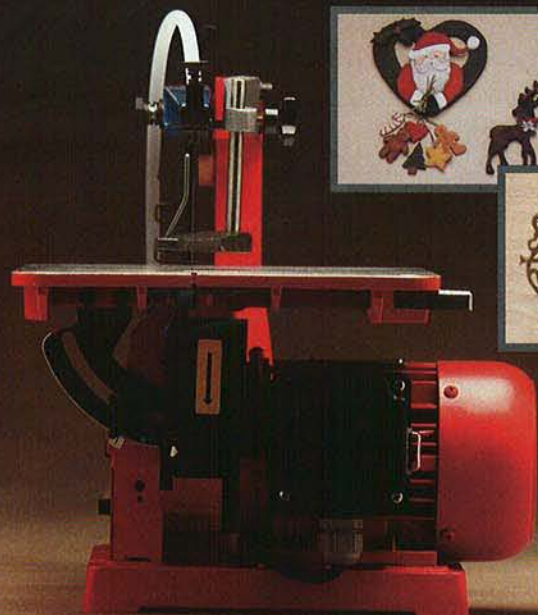
America's Wood Finish Family

Irvine, CA (800) 544-DEFT
Alliance, OH (800) 458-DEFT
<http://www.deftfinishes.com>



Also available in classic open top cans.

HEGNER - The Better Scroll Saw



HEGNER Scroll Saws are better because they are smoother, faster and easier to operate. Thousands of HEGNER owners, as well as major woodworking publications, agree that HEGNER saws offer many advantages over all other brands.

Try one yourself and discover the benefits:

- clean, accurate cuts with no sanding
- easy blade change
- smooth quiet operation
- long blade life
- Safety-Stop upper arm
- Space-saving design
- 6 year warranty

Call or write for your FREE Catalog

1.800.322.2226

(Please mention Ad 801)

ADVANCED MACHINERY

Dept. 801 • P.O. Box 312 • New Castle, DE 19720

Circle No. 3 www.advmachinery.com



Send me FREE information on Hegner Scroll Saws!

Name _____

Address _____

City _____ State _____ Zip _____

Phone _____ 801 _____

HEGNER makes it better!



WE CARRY THE LARGEST SELECTION OF ROUTER BITS & FORSTNER BITS IN THE USA!

Special Offer!



Reg. \$59.95

Sale **\$49.95**

Router Bits

15-Piece Set

1/4" Shank #C1710

1/2" Shank #C1786

At Grizzly Imports, we offer top-quality Steelex® forstner bits & router bits available individually and in these exclusive sets.



Forstner Bits

16-Piece Set

3/8" Shank, 1/4" - 2 1/8" sizes in 1/8" increments

#G1673

Reg. \$59.95

Sale **\$36.95**



Ask for our 190 Pg. CATALOG - It's FREE!

To order 24 hrs. a day, call:

1-800-523-4777

Fax: 1-800-438-5901

Customer Service: 717-326-3806

Visit us at <http://www.grizzlyimports.com>



1-424-97658

FROM

Better Homes and Gardens®

WOOD® MAGAZINE

HOLIDAY YARD SALE!

**EASY TO MAKE!
FUN TO DISPLAY!**

NEW!

FATHER CHRISTMAS
#OFS-1044 (5' high)



Turn your yard into a winter wonderland with these easy-to-make project plans from the editors of WOOD® magazine.

- All projects are fully SHOP-TESTED for your guaranteed success
- Exploded-view drawings for quick, accurate assembly
- Complete, step-by-step instructions
- Easy-to-use, full-sized patterns
- Can be completed in a weekend or less

Only \$12.95 each!

Minatures only \$9.95 each.

SPECIAL MULTI-PLAN DISCOUNT!

\$2.00 OFF total order on 2 plans

\$4.00 OFF total order on 3-4 plans

\$6.00 OFF total order on 5 or more plans

100% MONEY-BACK GUARANTEE
All Better Homes and Gardens® WOOD PLANS® are fully guaranteed. If you're not completely satisfied, just let us know. We'll give you a full refund or quick exchange.



NEW!



EDITOR'S CHOICE

TRIO OF PENGUINS #OFS-1045 (3' high)



BEST SELLER!

LARGE REINDEER #OFS-1003 (4' high)
MEDIUM/SMALL REINDEER
#OFS-1018 (28" high / 9" high)



MR. SNOW #OFS-1033 (49" high)
MRS. SNOW & CHILD
#OFS-1034 (45" high / 30" high)



LARGE SLEIGH #OFS-1011
(56" long X 35" high)
MEDIUM/SMALL SLEIGH #OFS-1032
(33" long x 20" high / 11" long x 7" high)



ANGELIC CHORUS #OFS-1019 (4' high)



POLAR BEAR & CUB #OFS-1036
(3' high / 2' high)



MINIATURES-SET 1 #OFS-1042 (7" high)



MINIATURES-SET 2 #OFS-1043 (7" high)

ORDER TODAY!

No added charges! Postage, handling, state and local taxes are included in prices!

For fastest service, call toll free

1-800-572-9350

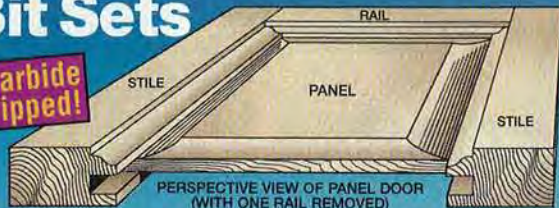
or fax your order **1-515-265-2995** 7 a.m.-9 a.m. CST, Monday-Friday
Visa and MasterCard accepted. Please have your order ready when calling.

You may also send your name, address and the name of plan(s) you want,
along with your check or money order to:

**WOOD PLANS, P.O. Box 9255, Dept. WD1197
Des Moines, IA 50306**

Save 55% on MLCS Raised Panel Door Bit Sets

Carbide Tipped!



Make Beautiful Raised Panel Doors with your 1/4" or 1/2" Router, or with your 1/2" or 3/4" Shaper.

Our professional production quality router bits make it quick and easy to produce attractive raised panel doors. Our reversible combination bit makes a matching rail and stile frame. The panel raising bit with ball bearing guide makes a perfect raised panel every time!



*Raised Panel Router Bit



*Reversible Combination Rail & Stile Bit
Works with stock from 11/16" to 7/8".

Includes instructions & professional tips!

Carbide Tipped RAISED PANEL DOOR SETS

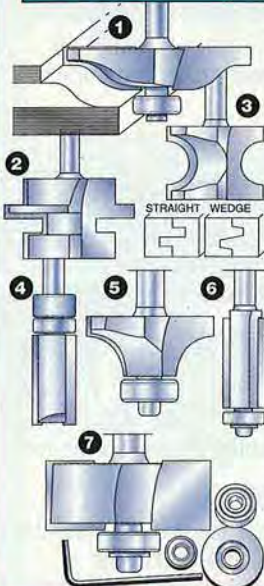
SET#	BIT STYLE	RAISED PANEL LRG. DIA.	SET PRICE
#1301	1/4" Shank Router	* 2"	\$69.95
#1302	1/2" Shank Router	* 3-1/2"	\$79.95
#1303	1/2" & 3/4" Shaper	4-5/8"	\$99.95

*Ball bearing included

QUANTITY DISCOUNT
When ordering 3 or more router bits deduct \$1.00 each!

1/4" SHANK CARBIDE TIPPED ROUTER BITS

Professional Production Quality Guaranteed!



- OGEE RAISED PANEL**
#1423 2" Large Diameter\$29.95
- TONGUE AND GROOVE**
#1333 Straight\$29.00
#1335 Wedge\$29.00
- BULL NOSE**
#1330 1/2" Dia. of Circle\$16.00
#1331 3/4" Dia. of Circle\$21.00
- PATTERN/FLUSH TRIM**
#1340 1/2" Dia., 1" Cutting length\$15.00
#1341 3/4" Dia., 1" Cutting length\$17.00
- ROUND OVER**
#1314 (1/8" Radius)\$11.00
#1315 (3/16" Radius)\$11.00
#1394 (1/4" Radius)\$13.00
#1316 (5/16" Radius)\$14.00
#1369 (3/8" Radius)\$15.00
#1370 (1/2" Radius)\$17.00
- FLUSH TRIM**
#1337 3/8" Dia., 1" Cutting length\$8.50
#1338 1/2" Dia., 1" Cutting length\$9.50
- RABBETING KIT**
Change ball bearing guides and select 4 depth of cuts: 3/8", 7/16", 5/16", 1/4". Set: 1/4" shank rabbeting bit, 4 bearings (3/8", 1/2", 5/8", 3/4") and hex key.
#1425 1-1/2" Large Diameter\$25.00

MLCS Woodworking Accessories **ON SALE!**



25pc Brad Point Drill Bit Set

Drill accurate holes in wood, plastics & composites.

Bit sizes from 1/8" to 1/2" by 1/64" increments. Bits are deep fluted to clear chips quickly.

ITEM #1413
REG. \$34.95 **SALE \$18.95**

METAL CASE & BIT HOLDER INCLUDED!



Biscuit Joining Set

5/32" Slot Cutter-1/4" Shank and 250 #20 Biscuits

"Biscuit Joining with your Router", Instructional sheet included.

FAST & EASY

ITEM #1385
REG. \$35.00 **SALE \$29.95**



MERLE The ADJUSTABLE CORNER CLAMP®

- Adjustable, uniform clamping pressure on all corners
- Great for wide cabinet frames (for center or edges)
- Forces a frame into perfect square
- Almost NO capacity limitation, ships with 23 FEET steel banding
- Aluminum & Steel construction

ITEM #1420
REG. \$39.95 **SALE \$24.95**



Router Speed Control

Gets the best results with the wood and bit you are using!

- Works with all routers 3-1/4" HP or LESS - 120V 15 Amp
- Full horsepower and torque at all speeds
- Gives your router a feature only available on routers costing hundreds of dollars!

Includes Dust Cover

ITEM #1304
REG. \$49.95 **SALE \$34.95**



NEW!

Brass Piloted Router Bits

Carbide Tipped!

New bit saves hours of hand sanding!

Rout into those tight spaces and sharp corners! These professional grade router bits have smooth running Brass Pilots, measuring only 5/32" (approx.) in diameter, instead of the usual 1/2" ball bearing. Save hours of hand sanding or filing and get a more consistent edge.

Unique Brass Pilot:
Approximately 5/32" in diameter! It's 11/32" smaller than typical ball bearing.

Order 3 or more bits & deduct \$1.00 each!

Set #	Description	Shank Size	Price
#1428	1/8" R Round Over	1/4"	\$16.00
#1429	1/4" R Round Over	1/4"	\$17.00
#1430	3/8" R Round Over	1/4"	\$19.00
#1431	5/32" R Roman Ogee	1/4"	\$20.00

Expert Technical Help Before & After Sale

FREE 40 PAGE CATALOG!



FREE SHIPPING*
*IN CONTIGUOUS USA FOR ALL ITEMS

MLCS
Professional Woodworking Products

ORDER TOLL FREE
1-800-533-9298
24 HOURS A DAY
Order by Fax (215) 938-5070



Order By Credit Card or Send Check To:
MLCS, Ltd.,
P.O. Box 4053D N
Rydal, PA 19046

COMMON SENSE WOODWORKING

Advice you can count on from the *WOOD*® magazine shop



Top-drawer project builders and designers Jan Svec, left, and Chuck Hedlund bring years of experience to the *WOOD*® magazine shop, as well as to this article. Their tips for running a safe and efficient work space aim at helping woodworkers at all levels.

Need help organizing your shop? How about advice on what books to buy for your home woodworking library? Here, you'll find a gold mine of such information aimed at making you a more complete craftsman. You'll benefit from 367 cumulative years of woodworking experience by our staff and the best of 100 issues of our magazine.

 Print this article

Build a powerful reference library

Regardless of skill level, every woodworker needs a reliable resource of books, magazines, catalogs, patterns, and other printed materials to provide help. Here's a list of references we like (and use) at *WOOD* magazine.

BOOKS:

1. *Understanding Wood Finishing* by Bob Flexner, Rodale Press, Inc., 1994. (The best book we

have found on covering every aspect of wood finishing.) Available from *The Garrett Wade Tool Catalog* (see catalog list on page 38).

2. *Identifying Wood* by R. Bruce Hoadley, Taunton Press, Inc., 1990. This book delves into the subject of wood technology, helping you identify over 180 species of wood from grain appearance and cellular structure using a small handheld magnifying glass.

COMMONSENSE WOODWORKING



Available from *Constantine's* catalog (see catalogs below).

3. *Knowing Your Trees* by G.H. Collingwood and Warren D. Brush, The American Forestry Association, 1979. Here, you'll find a great old standard for identifying North American trees.

4. *Architectural Graphic Standards*, 9th ed. by Ramsey/Sleeper, John Wiley & Sons, Inc., 1994. The bible for architects, this publication includes chapters on ergonomically proven dimensions for all types of furniture and cabinets. Though pricey, you'll find this publication helpful for designing projects.

5. *Pocket Ref* by Thomas J. Glover, Sequoia Publishing, Inc., 1995. This handy all-around reference provides valuable information on such subjects as glues, saw blades, woodworking math, hardware, metric conversions, to name just a few subjects. Available from *Woodcraft* catalog (see catalogs below).

CATALOGS:

Cherry Tree, 800/848-4363
Constantine's, 800/223-8087
Lee Valley, (Canada) 800/267-8767; (U.S) 800/871-8158
Meisel Hardware Specialties, 800/441-9870

MLCS, 800/533-9298

The Garrett Wade Tool Catalog, 800/221-2942

The Woodworkers' Store, 800/279-4441

Woodcraft, 800/225-1153

Woodhaven, 800/344-6657

Woodworker's Supply, Inc., 800/645-9292

WORKSHOP POSTERS:

GUIDE TO ROUTER BITS, October 1994, issue 73. This poster shows a full range of router bits and the profiles they cut, plus routing tips.

GUIDE TO WOODWORKING SCREWS, October 1995, issue 82. This chart displays types available, discusses uses, lists head sizes, includes screwing tips, and provides sources.

GUIDE TO DRILL BITS, October 1996, issue 91. Here, you'll find a complete lineup of drills and drill-press accessories, along with a drill-press speed chart. Drill-bit characteristics cover steel, coatings, and points. Tips and sources complete the chart.

Note: Each of the three posters is included in a back issue of WOOD® magazine. To order a back issue, ask for the appropriate issue, and send \$6.95 to WOOD Back Issue Sales, P.O. Box 9255, Des Moines, IA 50306, or call 800/572-9350.

Tool talk that's on the level

Accurate, dependable tools lie at the center of every craftsman's woodworking efforts. Consider these points the next time you want to make quality improvements.

•Invest in some good layout and measuring tools.

We have Starrett 6" and 12" combination squares in our shop. Equip the 12" square with a center head. Every shop should have a set of stainless steel bench rules. We looked at everything and bought 6", 12", and 24" woodworking rules from Hartville Tool at 800/345-2396. When you consider the cost, keep in mind that not only are these the tools you will use for marking and measuring, but they are also the tools that you can depend on when you set up and calibrate your woodworking machinery.

Finally, get a good compass that will hold a common pencil. We have two—an 8" and a 16" Workshop Pencil Compass from *The Garrett Wade Tool Catalog*.

•Buy your tools wisely. Refer to magazine tool reviews, particularly those that do detailed analyses of tool features and performance. Keep your requirements, budget, and level of use in mind and never compromise on quality. To find WOOD® magazine's tool reviews, look for the nine-issue index published in each June issue, or check our most complete and up-to-date index on the internet at <http://woodmagazine.com>.

•Tune up your tools. Never assume that you can use a tool right out of the box. This goes for hand tools and power tools alike. Hand tools usually come "factory sharp" and will need to be fine-sharpened and honed. For power tools, follow the setup instruc-

tions in the manual, and check all tolerances, clearances, and alignments. Ensure that hardware—screws, bolts, washers, and nuts—is in place and tightened.

•**Don't lose your edge.** If you use your tools often, a second set of blades, knives, or cutters will eliminate downtime and make it easier to avoid working with dangerous dull edges. For most of us, it's better to rely on a professional sharpening service. Clean the pitch off blades or cutters before sending them out. (We use oven cleaner for this.)

•**Keep your crosscuts square.** Get an extra miter gauge for your tablesaw and carefully set it at 90° to the blade. In fact, lock it into this position with an extra nut. Now, no matter what you do with your other miter gauge, you'll always be able to come back to that perfect crosscut.

•**Make a good tool better.** Most drill presses are still not designed for woodworkers. Build an auxiliary table with an adjustable fence for yours. We featured one in February 1996, issue 86. Order the back issue by calling 800/572-9350, or purchase the ready-to-assemble WOODKIT® by calling Schlabaugh at 800/346-9663.

•**A jointer is for more than edges.** Face-jointing is the key to everything from flat tabletops to straight and true doors. Buy the longest bed and widest cutterhead you can afford.

•**Run a clean operation.** Periodically clean all the sawdust out of your tools. Blow out portable tools after each use with compressed air. Lubricate your stationary tools at least once a year and keep the tables waxed

with a good-quality paste wax. If your shop is prone to dampness or high humidity, run a dehumidifier to ward off rust.

Shop organization: Get it right and keep it that way

Aside from being dangerous, a cluttered, poorly organized shop can cause you to lose hours—even days—of valuable woodworking time while you hunt around for tools or clear a space for a glue-up. That's why thoughtful shop planning will serve you well for a lifetime of successful craftsmanship.

•Power up for performance.

While a 15 amp circuit is adequate for lighting, you'll need at least two 115 volt, 20 amp circuits for benchtop, small stationary, and portable power tools. Place outlets every 48" along the walls; we like to have them 48" off the floor. Large stationary tools need dedicated outlets. If any can be wired for 220V, we like to do so.

•**Bright ideas for brilliant work.** Figure shop lighting by keeping in mind that you need 20,000 lumens for every 100 square feet of floor space and that a standard 48" fluorescent tube puts out between 2,000 and 3,000 lumens. (See the bulb package for specific output.) Buy fixtures according to bulb needs, and con-

sider adding task lighting at workstations or on tools—such as a scrollsaw—where the work requires maximum visibility.

•Arrange your primary tools (radial-arm saw, miter saw, tablesaw, jointer, and planer) for efficient material handling.

You should be able to move a piece of stock from cutoff through jointing, planing, and ripping within the same localized area in the shop. Park other machines (bandsaw, router table, drill press, lathe, etc.) away from this cutting and planing work area. Put them on mobile bases so you can easily and quickly pull them out when needed.

Note: See page 66 for our mobile base plan.

•**Make room for storage and a sturdy workbench.** Organize your storage in work centers so that tools and accessories that go together stay together and are within easy reach.

Make workshop safety priority one

Commonsense woodworking means taking all of the proper precautions before beginning any machining or finishing task. Here's what we mean.

•**Protection you can buy.** Invest in a comfortable pair of safety glasses and wear them whenever



COMMONSENSE WOODWORKING

you enter the shop to work. Combat damaging machine noise by wearing hearing protection that has an NRR (noise reduction rating) of at least 25 decibels. (See the package.)

Keep two respirators on hand—a lightweight, comfortable one for common shop dust, and a heavy-duty model that employs organic vapor cartridges.

Finally, pick up several pairs of inexpensive disposable latex gloves for handling glues, solvents, stains, and finishes.

•**Dress down.** Remove rings and watches, and roll up loose sleeves when working around machinery. Tuck long hair into a hair net or a snug-fitting hat.

•**Keep a tidy shop.** Before any machining operation, sweep up sawdust and pick up scraps and sawcuts from the floor. Keep machine table surfaces free of cut-offs, hardware, hand tools, etc.

•**Conduct a no-nonsense hands-off policy.** Be sure to have at least two feather boards that fit your tablesaw, bandsaw, and router table. We like Universal feather boards (catalog #801-407) from *Woodworker's Supply*. (See page 38.)

Also, pick up a variety of pushsticks and pushblocks for different tools and tool operations.

•**Guard against danger.** Seriously consider buying an after-market tablesaw blade guard for convenience and added safety. While you're at it, equip your tablesaw with a knee-operated panic switch. Get an outfeed table for better control of material after you machine it.

•**Be trigger happy.** We prefer routers with trigger switches, since you can shut them off instantly without having to take one hand off the tool during machining operations.

Our finishing secrets

Never rush finishing a project that you took precious time to make. Often, a quality finish will draw attention as much as a project's design. Here's what works for us.

•**Sanding solutions.** When sanding, use progressive sandpaper grades of 100-, 150-, and 220-grit. Don't skip grades since each grade removes scratches left by the previous coarser grade. For a really fine finish, nothing beats sanding finer grades with a cork-faced block.

•**Testing, testing.** Test all stains and finishes on scrap of the same species prior to using them on the completed project. Projects to be stained should be sanded more carefully than clear

finished projects since surface flaws tend to become accentuated. In general, we avoid using any stains.

•**Brush basics.** Use a natural bristle brush for oil-based finishes and a synthetic bristle brush for water-based finishes. Always cut in on the wet surface and avoid rebrushing when the finished surface becomes tacky.

•**Show off with spray.** Spraying provides the most level finish; try a high-volume, low-pressure unit for less wasteful overspraying. Clean the sprayer well after using.

•**See what you're doing.** When applying a finish, use low-angle task lighting to spot runs or sags.

•**Say no to dust.** Keep the finish, brush, and air as clean as possible. Since most of us (we in the *WOOD*® magazine shop included) don't have a finishing room, dust will settle in the finish as it dries. If a less durable finish will do, use a Danish-oil finish. Using this lets you wipe down and buff the workpiece before the finish dries completely. A lacquer or polyurethane finish that gets dust in it while drying can be rubbed out with 400-grit or 600-grit wet-dry sandpaper; then you can buff back to a satin sheen with gray or white Scotch-Brite pads. ♣

Written by Jim Harrold with the *WOOD* magazine staff; special thanks to Jan Svec and Chuck Hedlund



\$50 REBATE
 Deluxe Edition 14" Band
 Saw with enclosed stand,
 free mobile base, 18" Rip
 Fence and Cool Blocks™
 Model #28-280Z

\$50 REBATE
 Delta Sanding Center®
 Belt/Disc Sander.
 Model #31-280

\$50 REBATE
 Deluxe Edition Contractor's
 Saw® with 30" Unifence®,
 free table board and legs,
 cast iron wing and 50-tooth
 combination blade.
 Model #34-445Z

\$50 REBATE
 15" Planer with free stand
 and extension wings.
 Model #22-675Y



\$50 REBATE
 Delta C-3 18" Variable
 Speed Scroll Saw.
 Model #40-650

\$50 REBATE
 Delta Contractor's® Saw
 with Jet-Lock® Fence
 Model #34-444
 (10" Contractor's Saw® II is
 not part of rebate offer.)

The check's in the mail.



Every tool you see here comes with a \$50 check in the mail from Delta. Opportunities like this don't come along every day. So if you've been wishing you had Delta Quality in your shop—you might want to get shopping, now. (August 1 through December 31, 1997.) You'll also find that we've snuck in a few extras on our 15" Planer and the Deluxe Editions of the Contractor's Saw and 14" Band Saw. Machines that will still be proving their worth for years to come.

Call for the name of your nearest participating Delta dealer.
 Delta International Machinery Corp., 800-438-2486.
www.deltawoodworking.com



Proud sponsors of
 The New Yankee
 Workshop on
 PBS.

**THE
 POWER
 OF THE
 PROS**

DELTA
 WOODWORKING MACHINERY
 A Pentair Company

APART FROM BEING OUR MOST POWERFUL WET/DRY VAC, IT'S A PORTABLE BLOWER.

The Craftsman 16 Gallon Detachable Blower/Wet/Dry Vac is really two tools in one. First, its 6.0 peak horsepower gives you plenty of power for heavy-duty pickup of wet or dry debris. It picks up at the rate of 79 pounds of gravel or 60 gallons of water in just one minute! Then, the blower easily detaches from the vac and all that horsepower converts into a 200 mph blower. Perfect for leaf removal, gutter cleaning and many other yard jobs, it's equal to a stand-alone blower.



We've built in a lot of other features like a vac caddy with a wider, more stable stance and large, 5 1/4" rear wheels to help prevent tip-overs. The caddy also provides accessory storage. Additionally, there's an automatic suction shut-off to prevent liquid pickups from overflowing, removable drain plug for easy emptying of liquids and an extra-long 20 foot cord. When you think about it, we put just about everything anyone could want in this wet/dry vac. Including a portable blower.




CRAFTSMAN

EXCLUSIVELY AT SEARS AND SEARS HARDWARE STORES



WOOD® magazine's

Woodworking Hall of Fame



The field of
woodworking represents the
collective achievements of
many people from a variety of
pursuits and professions.

We dedicate the
Woodworking
Hall of Fame as
an ongoing tribute to
these outstanding
individuals.

Rude Osolnik (1915-): For design, craftsmanship, and education in woodturning



In 1937, Rude Osolnik, fresh from college, began teaching industrial arts at Berea College, in Berea, Kentucky. Eventually, he founded the furnituremaking program there.

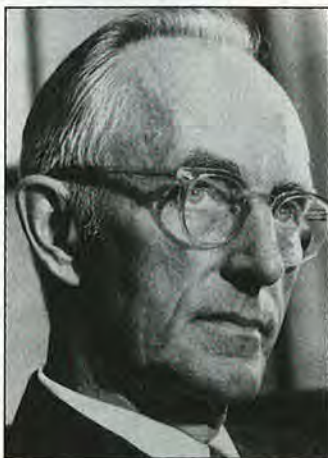
Although an accomplished woodworker, Osolnik's greatest impact has been in woodturning.

A composer on the lathe, he first wedded classical form and proportion to modern simplicity. In so doing, he updated a long-practiced craft. His simple, hourglass candlesticks earned the Award of

Good Design from the Furniture Association of America in 1955. The 1960s saw him working with plywood to make bowls, and experimenting with the natural-edge on green-wood turnings.



Alonzo G. Decker, Jr. (1908-): For tool design and development



Alonzo Decker, Jr. began work with the Black & Decker Corporation at age 14. After college graduation in 1929, he joined B&D as an electrical engineer, focusing on engineering, research, and manufacturing.

During the 1940s, when B&D sold electric drills to defense contractors, Decker

was perplexed by reorders, thinking the drills were failing. When he instead found that the tools were being taken home by workers, he reacted: "When



people take them home, we ought to be making tools for the home." After the war, B&D became the first large power-tool company to focus on the do-it-yourself market. In the 1960s, Alonzo Decker was directly responsible for the first cordless drill.



Gifford Pinchot (1865-1946): For pioneering service in national forestry

Gifford Pinchot spent the summers of his early years wandering the forests and fishing the waters of his native Connecticut. Upon graduation from Yale University, he traveled to Europe to study forestry, a new science not then offered in the United States. After returning to the U.S. in 1891, he surveyed private forest lands, but soon undertook their management with his new knowledge.



Driven by the belief that sound forestry practices could both produce timber for the nation's needs and maintain the forest for future generations, the young Pinchot realized, however, that government intervention was necessary to stop the massive destruction of U.S. forests at the time. In 1898, he became head of the new federal Division of Forestry, then spearheaded the

establishment of the U.S. Forest Service within the Department of Agriculture and was named its first Chief Forester. In this leadership position, Pinchot set the initial multiple-use policy for national forest management.

During his tenure as Chief Forester, Pinchot increased the number of national forests from



32 to 149, for a total of 193 million acres. He became President Theodore Roosevelt's top conservation advisor. In 1910, to explore the most efficient and wise use of the wood resource, he set up the U.S. Forest Service's Forest Products Laboratory in Madison, Wisconsin, still the only research facility of its magnitude in the world.

Silas Kopf (1949-): For design and craftsmanship in marquetry



Following an apprenticeship with renowned furnituremaker Wendell Castle from 1974 to 1976, Silas Kopf, an architecture graduate of Princeton University, set out on a mission to introduce the inlay and marquetry work of the European Renaissance to 20th-century America. After studying marquetry for a year at the Ecole Boulle, in Paris, Kopf's illusions created on the furniture and cabinetry of his design earned him a craftsman's fellowship from the National Endowment for the Arts in 1988.

His continuing work in applied marquetry of hundreds of native and exotic veneers has inspired other wood artisans to enhance their projects with



the technique. Kopf, however, remains the master of this unique skill, his marquetry continuing to fool the eye of the beholder. Yet, he shares his techniques in workshops and seminars at selected facilities across the country.



Gustav Stickley (1857-1942): For design and craftsmanship in furnituremaking



In 1873, at age 16, Gustav moved with his family from Wisconsin to Pennsylvania where he found work in his uncle's factory making chairs. An accomplished woodworker by age 21, Stickley became the manager and foreman. Soon, though, spirited by thoughts of the English Arts and Crafts movement, he and two younger brothers set out

in the retail furniture business selling simple chairs inspired by Shaker design.

In 1898, Stickley toured Europe and was impressed with Arts and Crafts furniture. Upon his

return, he began designing basic, almost primitive, furniture featuring exposed joinery that became immediately popular with the American public as "craftsman." A true woodworker, Stickley was still experimenting with finishes in his eighties.



Continued

Judy Gale Roberts (1956-): For design, craftsmanship, and education in intarsia



Judy Gale Roberts was born in Houston, Texas. Following high school, she attended Houston's Museum of Fine Arts School, but eventually elected to study art "hands-on" with her artist/sculptor father, Pat Dudley Roberts. Together, they created mosaic murals, etched glass, and sculptures in metals for architects and designers. Under her

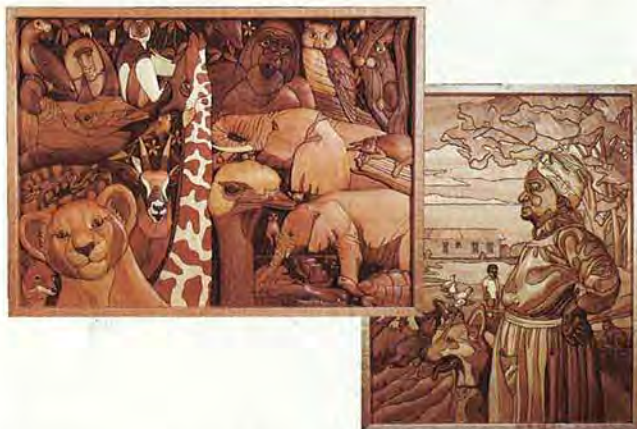
father's tutelage, she learned to cut and fit wood as well as the basic elements of good design.

In 1984, Judy Gale Roberts moved to Florida with husband-to-be Jerry Booher. There she refined the design elements of her work in wood, which is a modern-day interpretation of a 15th-century Italian art form called intarsia.

The intarsia of Judy Gale Roberts differs from the original in that she sculpts each wooden piece to a

third dimension by sanding. Only one species of wood—Western red cedar—provides the differing colors and tones.

The publication of Roberts' work in a national woodworking magazine brought her widespread attention in 1988. The demand for her designs gradually prompted her to refocus on the drawing board, a move that fostered an intarsia video and three instructional books. In less than a decade, her name has become synonymous with intarsia.



Wharton Esherick (1887-1970): For pioneering effort in designer woodworking



Although urged to enter a profession, Wharton Esherick instead chose a manual training school. He later studied art and developed a passion for it. In 1919, his art work led him into woodworking, which enabled him to carve frames for his paintings. During the 1920s and 1930s, he com-

bined his artistic talent with woodworking and turned to wood sculpture.

In the late thirties, Esherick concentrated on furniture. His work—as expressed in furniture and home interiors—went through several phases, but is best remembered as having flowing lines with no sharp edges. This "modern" style went against the design of the times, but was user-friendly and space-efficient, and built with simple techniques.

Esherick welcomed students into his shop and urged them to develop their own style, free from the tradition. His influence was felt by many of today's top designer/craftsmen. The American Institute of Architects posthumously awarded him the gold medal for craftsmanship in 1971.



Frank Knox (1903-1987): For excellence and education in ornamental turning



Ornamental turning, the art of mechanically embellishing turned objects on a specialized lathe, was for all purposes a lost 19th-century art when Frank Knox managed to acquire an original Holtzapffel machine in 1963. Built in 1853, the complicated English lathe was

one of only 300 known to exist.

Knox, a semi-retired management consultant who had studied cabinetry, spent the next three years applying himself to the art of ornamental turnery. After mastering most of the necessary skills, he began producing plates, cups, bowls, boxes, and other objects of his design. By 1983, he was recognized as a leading practitioner of the art by the Society of Ornamental Turners.

Believing that ornamental turning would strengthen an increasingly technical society's respect for the craftsman's manual skills, Knox decided to explain the mastery of the Holtzapffel in his book, *Ornamental Turning, a Practical and Historical Approach to a Centuries-Old Craft*. Published in 1986, it stands as the only in-depth guide to the art.



Lemuel and Stephen Ward (1896-1984) (1895-1976):

For pioneering the art of decorative wildfowl carving



The Ward brothers began their decoy carving on Maryland's Eastern Shore, making hunting decoys to aid in bagging birds for market or table. Working as a team to produce in volume, Lem Ward did most of the carving and Steve Ward did the painting. Presidents Franklin D. Roosevelt, Harry Truman, and Lyndon Johnson were said to have hunted over the Ward brothers' decoys.

Although Lem Ward is reported to have made a few ornamental decoys on special order as early as

the 1920s, it was in the early 1950s that he decided to make ducks that looked like ducks. So began the popular art form of decorative wildfowl carving.

By 1965, Lem and Steve Ward were making highly decorative carvings of almost every species of American duck, Canada geese, game birds, and some shorebirds. Many Maryland area carvers that associated with them also began to produce collectible birds. The mecca of decorative wildlife carving, the Ward Foundation, in Salisbury, Maryland, was named in their honor. In 1974, Salisbury College awarded them honorary doctorates. ♣



For more about the Woodworking Hall of Fame™ and how you can input, turn to page 84.



WELCOME TO

How many woodworkers do their woodworking in a basement shop? Plenty. But even if that's not where your shop is, you'll find all kinds of small-space solutions in the 12×16' room we call IDEA SHOP® 3. No doubt you'll want to adapt many of them to your home workshop. That's the idea.

We couldn't help doing it again. Creating a new shop is always fun, as well as challenging, and does it ever generate ideas.

The space that became IDEA SHOP 3 represents a room of the size that you'll find in many basements. Because of its location, an effective, yet quiet, dust-collection system was of prime importance. Then, of course, there was the limited space to deal with. But as you'll find out, our design team

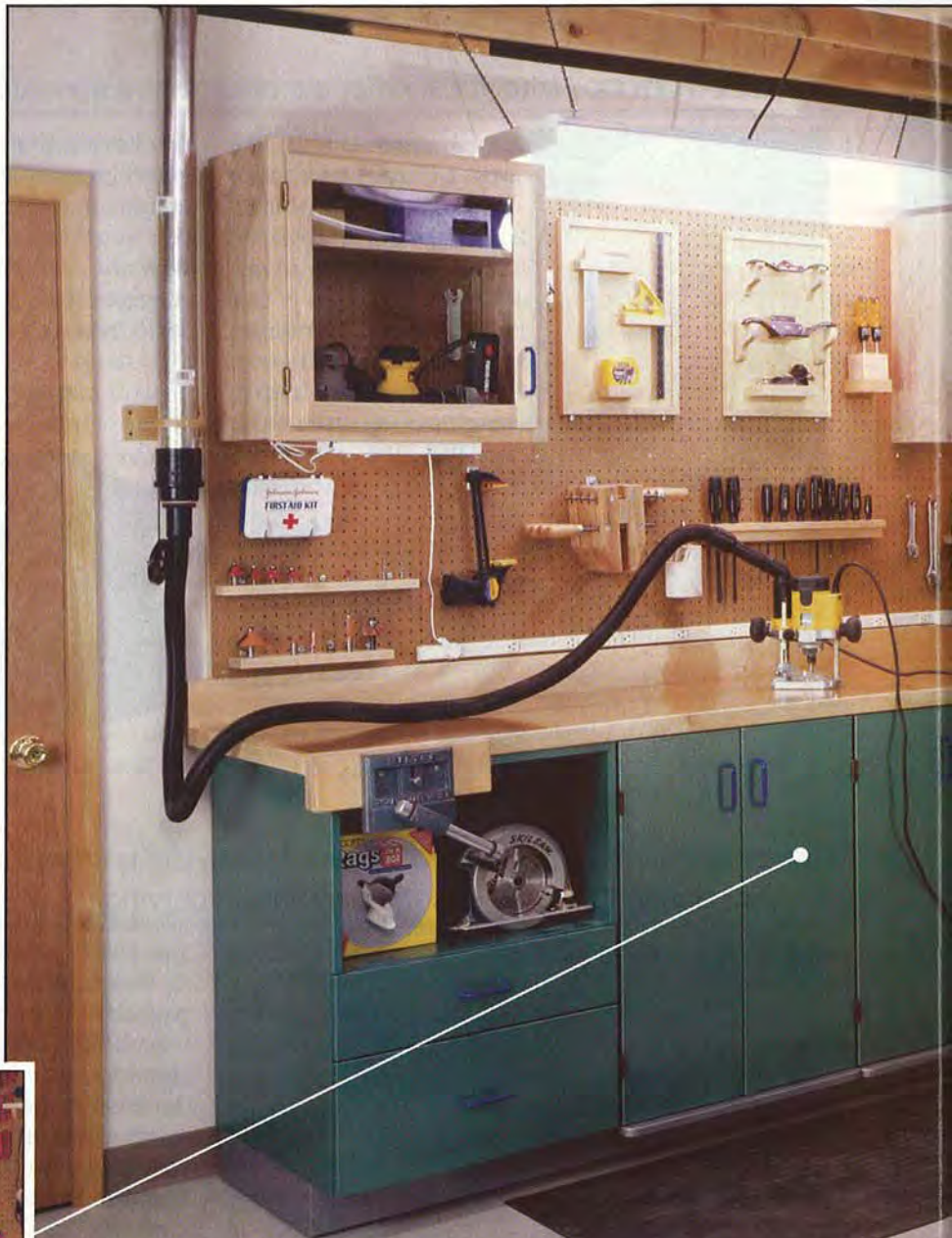
Continued

A TRIBUTE TO THE BASEMENT WORKSHOP

IDEA SHOP 3
FROM THE EDITORS OF WOOD® MAGAZINE



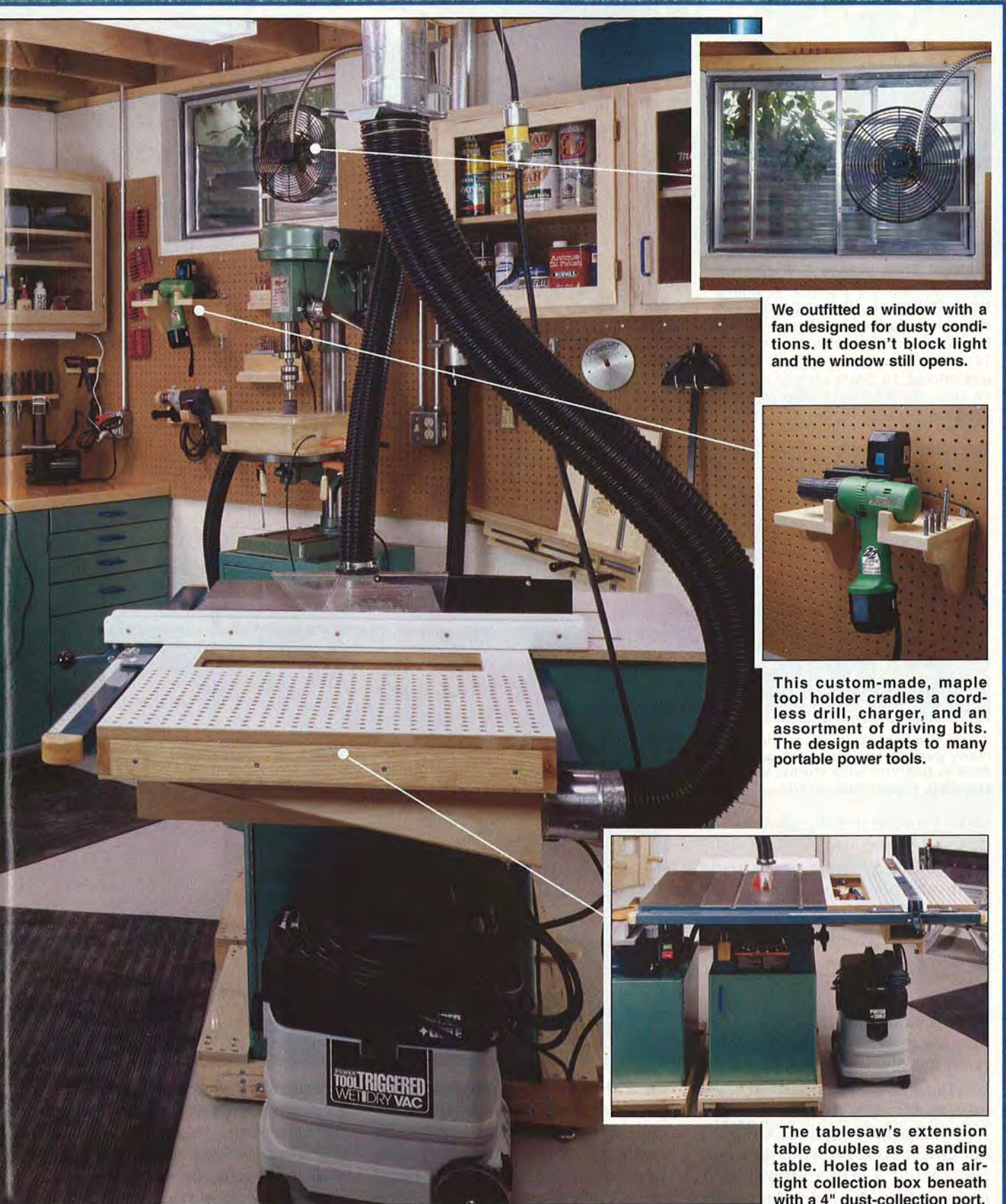
Editor Larry Clayton demonstrates the space-saving, flip-up storage of the router table beneath the workbench.



"The emphasis in this 12×16' basement shop was to squeeze in all the tools and machines needed for a complete workshop and still provide room to move around. Can you imagine how crowded the space would be if all the machines were on separate stands? The other challenge was to take care of the dust as quietly as possible."

A. R. Downing
Design Editor

IDEA SHOP 3[®]



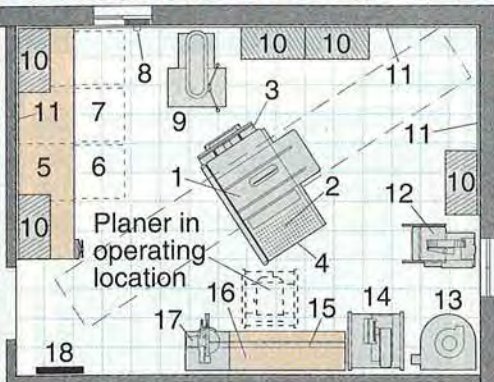
We outfitted a window with a fan designed for dusty conditions. It doesn't block light and the window still opens.



This custom-made, maple tool holder cradles a cordless drill, charger, and an assortment of driving bits. The design adapts to many portable power tools.



The table saw's extension table doubles as a sanding table. Holes lead to an airtight collection box beneath with a 4" dust-collection port.



1. 10" table saw
 2. Sanding table
 3. 6" jointer
 4. Shop vacuum
 5. Workbench
 6. Router table
 7. Scroll saw
 8. Exhaust fan
 9. Drill press
 10. Modular wall cabinets
 11. Perforated hardboard
 12. 14" bandsaw
 13. Cyclone dust collector
 14. Planer/sander stand
 15. 36" lathe and cabinet
 16. Stock storage on wall
 17. Miter saw
 18. Floorsweep.
- (For a complete list of tools, see page 92.)



All of the tool holders in the shop's many perforated hardboard panels are held in position with sturdy, yet easily removed, sheet-metal screws.

came up with doable solutions. In this and future issues, we'll share them with you by presenting plenty of plans and step-by-step instructions so that you can adapt them to your home workshop.

Out-of-the-way storage

Storage received more than a passing nod. And here, it consists of more than wall-mounted perforated hardboard (although there's plenty of that, with custom-made tool holders as well).

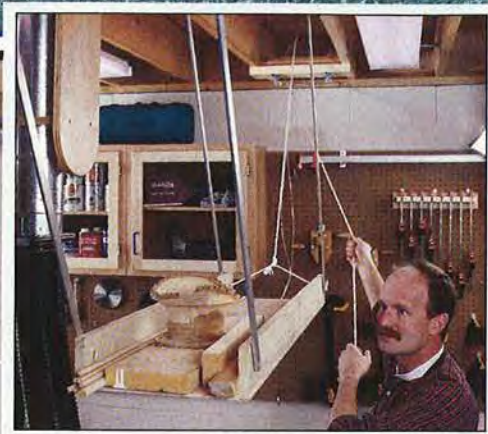
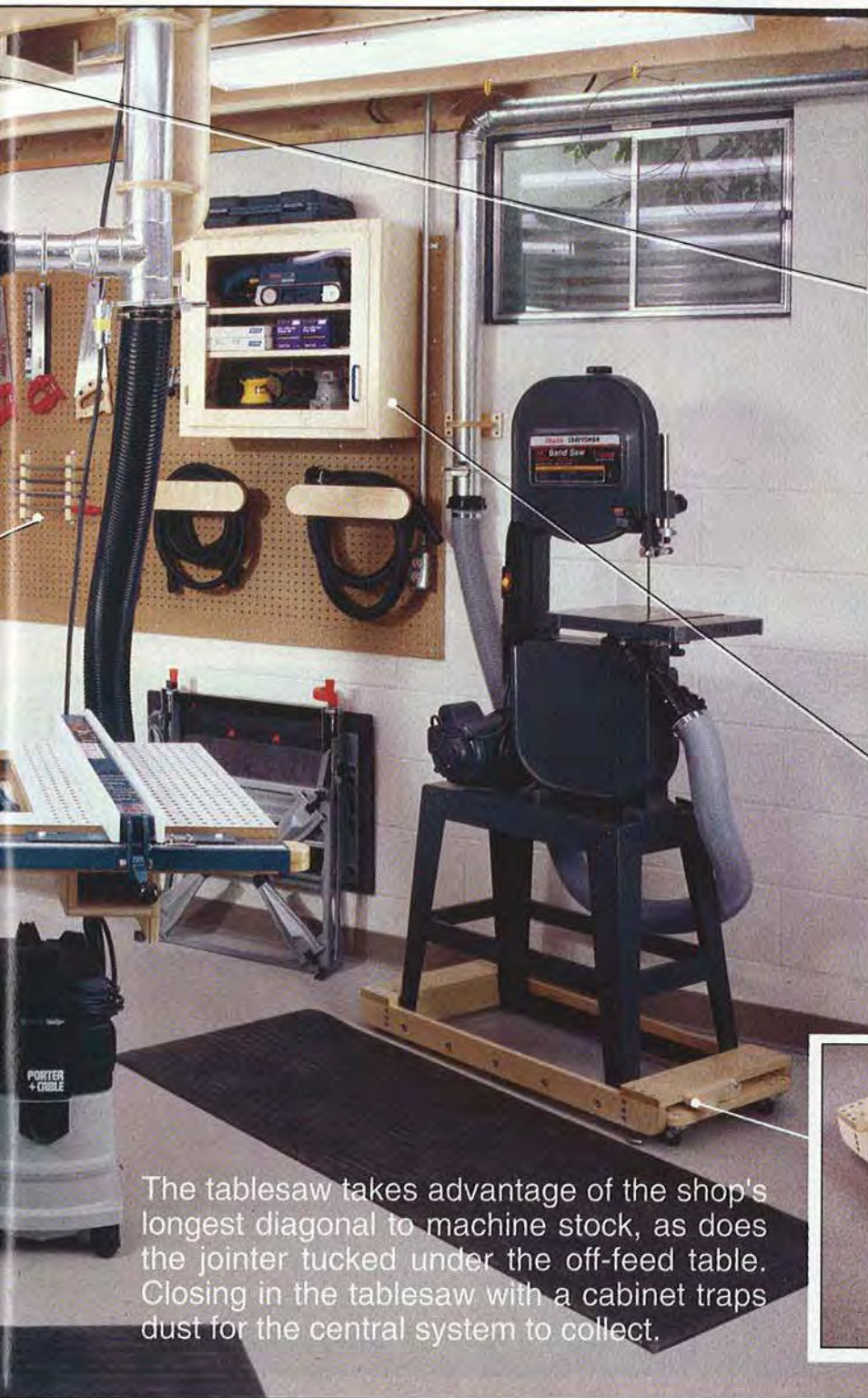
The Plexiglas-fronted cabinets hanging about let you see their contents at a glance. But, you're not stuck with their placement



once they're up, as shown in the photo *opposite page*. Keeping the cabinets toward the top of the room also gives you more usable work space below, and that really counts in a small room.

A host of full-extension drawers in the workbench provide storage for hand tools, hardware, measuring devices, and all those items you need to keep track of. The table saw's extension table pro-

the tools, yet with room to work.



We even used one section of joist space to house a handy pull-down storage unit. Its balanced pulley system won't dump the contents.



A bevel-ripped support strip on the back of each cabinet allows them to be easily moved. A mating strip rides atop the wall panels.

The tablesaw takes advantage of the shop's longest diagonal to machine stock, as does the jointer tucked under the off-feed table. Closing in the tablesaw with a cabinet traps dust for the central system to collect.



Built of maple and heavy-duty fasteners for industrial strength, the mobile bases for each of the shop's wood-working machines have foot-operated locking mechanisms. The wooden lever uses a cam to rotate the stop against the castors. You'll find complete how-to instructions for building them on [page 66](#)

vides storage, too, with a recessed tray to keep pushsticks, tape measure, safety goggles, and whatever else you need within easy reach yet out of the way of the blade and your work.

We utilized joist space to accommodate the lighting fixtures and to run the dust-collection piping, too. If your shop headroom is limited to 8' or less, you'll want to consider open joists, also.

Continued

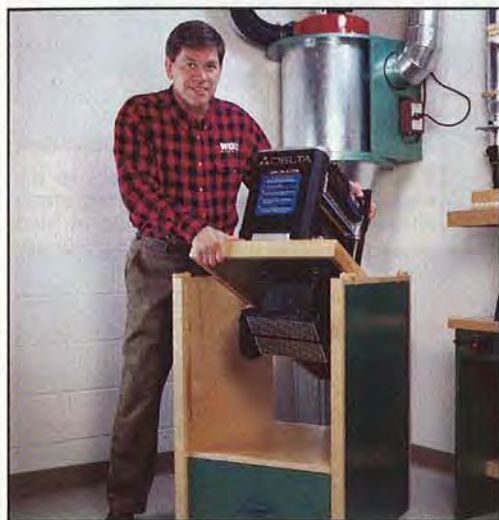
Efficient dust collection doesn't have



The 1½-hp. cyclone dust collector operates quietly (62–82 dBA). Fitted with a cartridge-type air filter, it's 99.9 percent efficient at removing even the smallest dust particles from the air. Find out how to build one for your shop on *page 54*.



For a stationary machine that's not used all that much, a lathe takes up a lot of wall space. We found a solution not only helps housekeeping, but makes cutting to length an easier job in tight space.



To use the thickness planer, you release the catches and rotate the top. After machining stock, you rotate the planer back into its original position.

A cyclone heads up shop dust collection

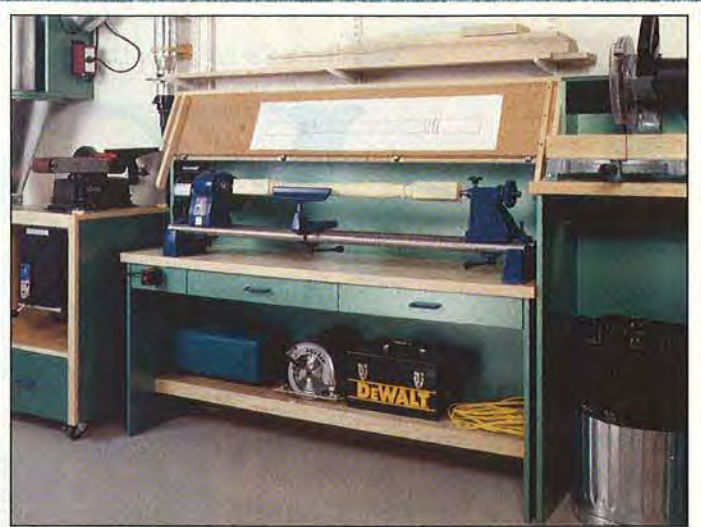
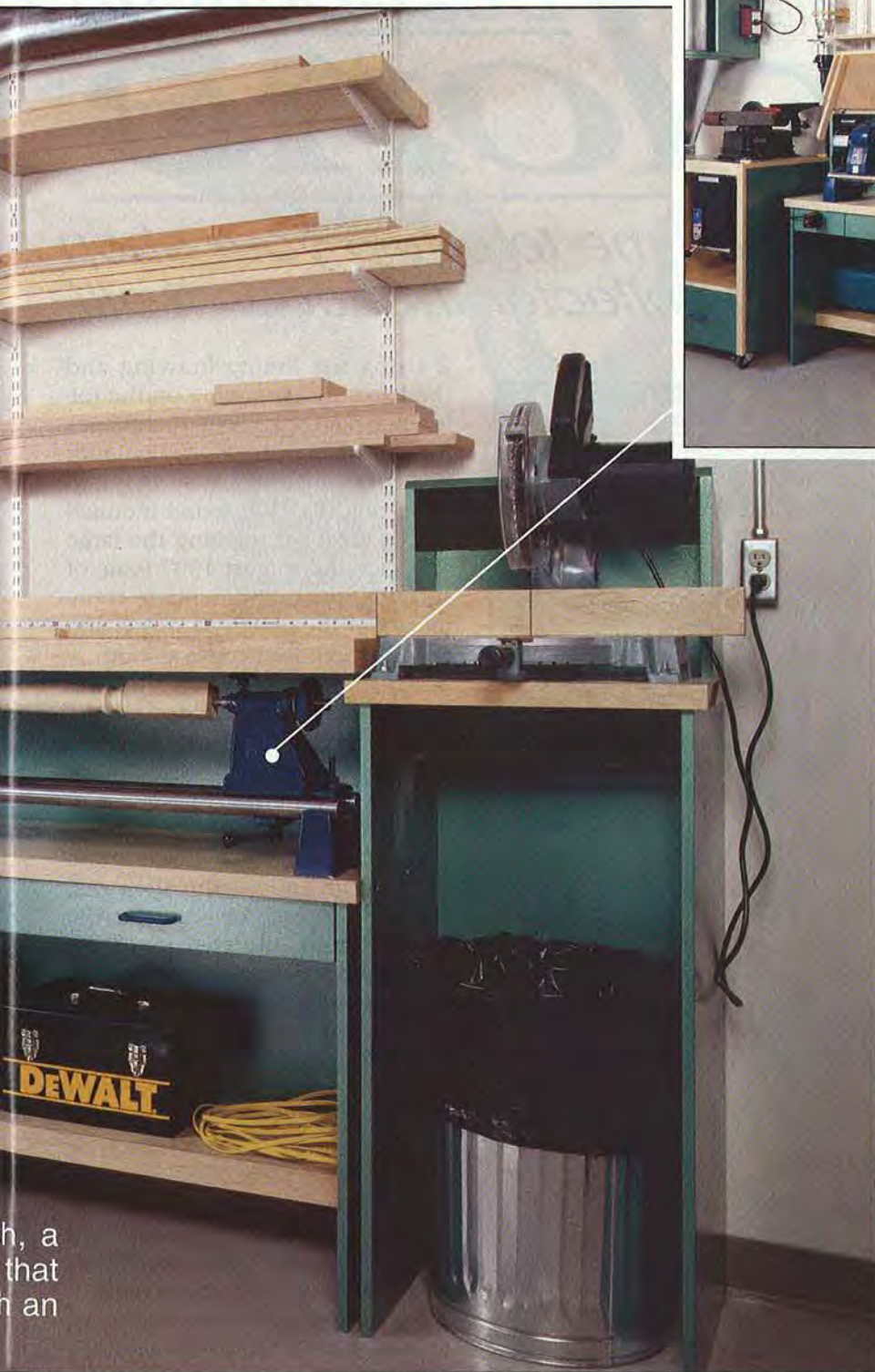
Dust is a problem in every wood-working shop. But in a basement shop, collection becomes top priority because wood dust can

invade the house. So our criteria for power tools was that each had to have a dust-collection port and run as quietly as possible.

Traditional central dust-collection systems don't operate quietly,

though. And the larger the horsepower, the louder the noise level. When your basement shop might be located under your family room or living room, noise becomes a real concern.

to be a noisy operation.



We put lathe space to work by fitting the machine with a flip-down wooden lid. The maple cover then performs as a cut-off table for the miter saw at the right.

the contractor's style tablesaw, for instance, was boxed in to enclose a garbage bag that catches falling sawdust, and the lid acts as an outfeed extension. Then, there's a dust port attached to the saw guard that corrals sawdust off the top of the blade. And the saw's right-hand extension table doubles as a sanding table.

Miter saws pose a problem in connecting to a central dust-collection system. So we built a cabinet for ours to stand on that features a dust-collecting hood. Sawdust falls through an opening directly into a garbage can that rests below.

Lathes also are a dust-collection headache. Our cabinet catches the dust and shavings behind the machine, where they're quickly gathered with a flexible hose connected to the central system. (We found that quick-disconnect fittings—the type used for recreational vehicle drain hoses—work well for the couplings of extension hoses.)

Finally, there's a floorsweep connected to the dust-collection system. With a broom, you sweep floor debris right into the floor-level take-up. ♣

Photographs: Wm. Hopkins

Long used in industrial and commercial applications, cyclone dust collectors operate more quietly than others. In fact, our 1½-hp. one operates below the 90 dBA danger level. And it clears the air

at a rate of 760 cubic feet per minute (CFM).

Wherever possible, machines and workstations in the shop have dust-collection ports attached to the cyclone system. The motor of

Cyclone *Dust-Defying*

Now's the time to equip your shop with a powerful collector that does it all!

In designing and outfitting our IDEA SHOP® 3 basement shop with a cyclone dust collector, I had several objectives in mind. I wanted a space-efficient unit with minimal noise, dust-free emission, low-cost construction, and convenience of use. Hopefully, you'll agree that I met all these criteria with this wall-hung dust collector, which cost under \$375 (\$439 if you add the remote switch).

Jan Hale Svec
Jan Hale Svec
Assistant Design Editor

Note: See the Buying Guide at the end of the Bill of Materials for our source of the blower, switch, and air filter we used for building this project. For more on dust collectors—how they work and why they're so effective—see our tool-comparison article in the April 1997 issue, #96, of WOOD® magazine.

OK, let's start with the wooden framework

1 Cut the blower shelf (A), back (B), sides (C), cylinder head (D), cylinder base (E), and cone ring (F) from ¾" medium density fiberboard or birch plywood to the sizes listed in the Bill of Materials.

Smart Solutions For Your Basement Shop
IDEA SHOP® 3
From The Editors Of WOOD® Magazine



In a corner or against a wall, this highly efficient cyclone dust collector requires minimal space with easy access to the waste can.

2 Using the Frame drawing and the Parts View drawing on the following pages, lay out the shapes for the blower shelf (A), cylinder head (D), cylinder base (E), and cone ring (F). (We found trammel points great for marking the large arcs. See the August 1997 issue of WOOD for our homemade trammel.) Cut the pieces to shape, and sand the exposed edges smooth.

3 Drill blade start holes on the waste side of the cutlines for the holes in the blower shelf (A), side (C), cylinder head (D), cylinder base (E), and cone ring (F). Cut the holes with a jigsaw.

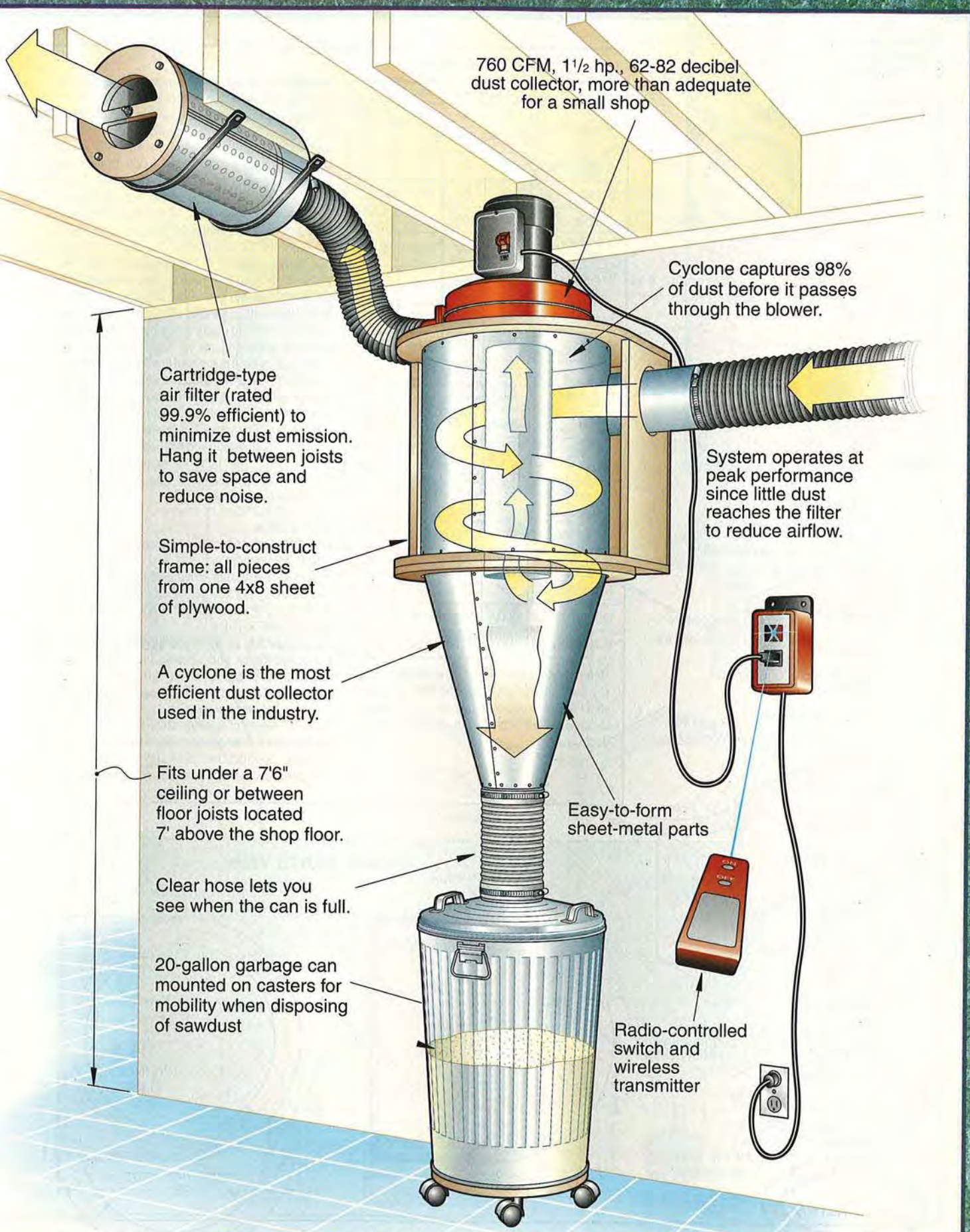
4 Center the cylinder head (D) on the bottom side of the shelf (A), aligning the hole of one over the other. Clamp the two together. Drill four ⅝" holes for securing the cylinder head to the shelf later. Now, do the same with the base (E) and cone ring (F).

5 Glue and screw the blower shelf (A) to the back (B) and sides (C).

6 To form the dolly (G) shown on the Exploded View drawing, measure the inside diameter on the bottom side of your garbage can (our 20-gallon can measures 14¾"). Cut the dolly disc to shape.

7 Prime and paint the parts A-G, except D. (We used Hammerite, a paint with a textured finish. See more on this in the Products That Perform section of this magazine. Then, read the article on page 14, to learn what we discovered when using this paint on the IDEA SHOP 3 cabinets.)

Continued



760 CFM, 1½ hp., 62-82 decibel dust collector, more than adequate for a small shop

Cyclone captures 98% of dust before it passes through the blower.

Cartridge-type air filter (rated 99.9% efficient) to minimize dust emission. Hang it between joists to save space and reduce noise.

Simple-to-construct frame: all pieces from one 4x8 sheet of plywood.

A cyclone is the most efficient dust collector used in the industry.

Fits under a 7'6" ceiling or between floor joists located 7' above the shop floor.

Clear hose lets you see when the can is full.

20-gallon garbage can mounted on casters for mobility when disposing of sawdust

System operates at peak performance since little dust reaches the filter to reduce airflow.

Easy-to-form sheet-metal parts

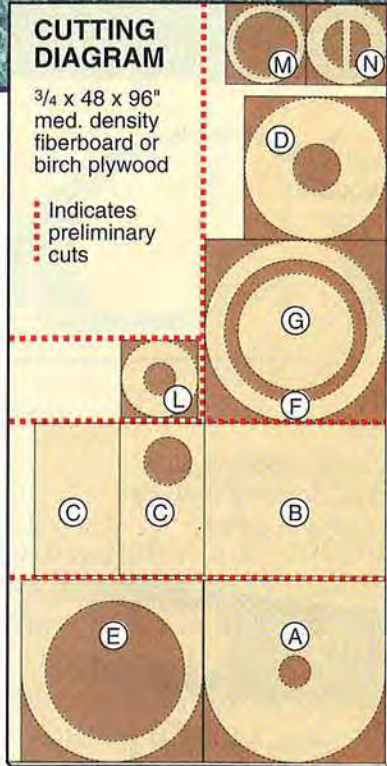
Radio-controlled switch and wireless transmitter

Cyclone

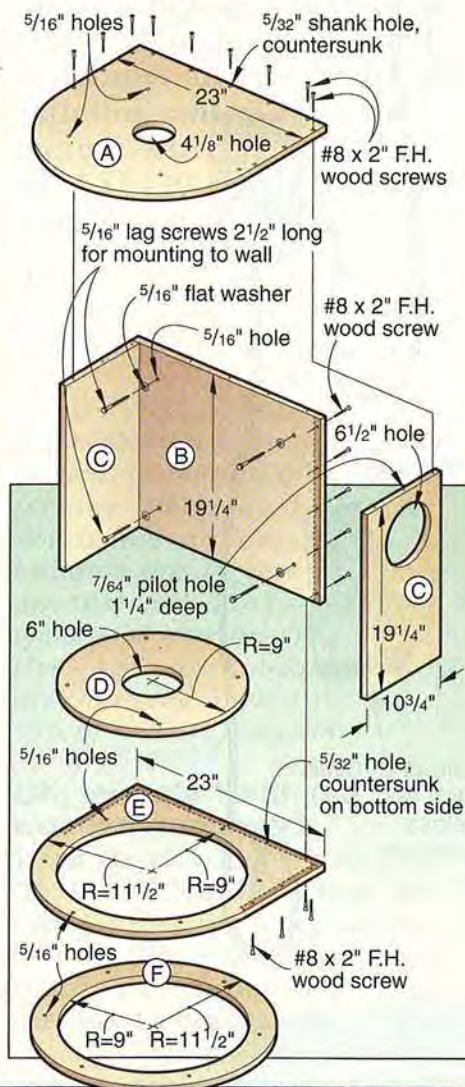
CUTTING DIAGRAM

3/4 x 48 x 96"
med. density
fiberboard or
birch plywood

Indicates
preliminary
cuts



FRAME



Bill of Materials

Part	Finished Size			Mati.	Qty.
	T	W	L		
CYCLONE FRAME					
A blower shelf	3/4"	23"	23"	C	1
B back	3/4"	23"	19 1/4"	C	1
C sides	3/4"	10 3/4"	19 1/4"	C	2
D cylinder head	3/4"	18"	18"	C	1
E cylinder base	3/4"	23"	23"	C	1
F cone ring	3/4"	23"	23"	C	1
G dolly	3/4"	14 3/4"	14 3/4"	C	1
SHEET-METAL PARTS					
H cylinder	30GA	20"	57 1/2"	SM	1
I inlet	30GA	6" dia.	15 1/2"	D	1
J outlet	30GA	6" dia.	20"	D	1
K cone	30GA	19 1/2"	20 3/4"	SM	3
FILTER					
L inlet ring	3/4"	9 1/16"	9 1/16"	C	1
M outlet ring	3/4"	10"	10"	C	1
N filter holder	3/4"	10 1/4"	10 1/4"	C	1
O filter inlet	30GA	4" dia.	4"	D	1
P filter housing	30GA	10" dia.	24"	D	1

Supplies: From the Frame drawing: #8x2" flathead wood screws; 4-5/16" lag screws 2 1/2" long with 4-5/16" flat washers. From the Cyclone Exploded View drawing: 14-1/4x1 1/2" hexhead bolts with 1/4" flat washers and 1/4-20 T-nuts; #6x3/4" panhead sheet-metal screws; 6" round duct 20" long; 1"-wide double-faced tape; silicone sealant; 1/8" steel pop rivets with 1/16" to 1/8" grip range; 20"-wide by 10'-long roll of 30-gauge roof flashing or sheet metal will be enough for H and K; 6" snap-lock round duct 24" long (initially) for part (I). From the Exploded View drawing: 2-6" round duct starter collars; 2-6" hose clamps; 6" clear flexible hose 12" long, 2-4" hose clamps, 4" flexible hose 24" long, 20-gallon galvanized garbage can with lid; 2-6 1/2" steel utility handles (National 100-115) with 4-#10x1/2" flathead machine screws with flat washers and nuts; 4-casters with 3/8" washers and nuts, silicone caulk or butyl gutter seal in a squeeze tube; 3/8"-thick by 3/4"-wide self-adhesive, closed-cell, sponge rubber weather strip, 2-18"-long rubber tie-down straps, 4-#10x2" panhead sheet-metal screws and flat washers. From the Filter drawing: 4" round duct, 4" long; 3/8" all-thread rod 17" long with 2-3/8" flat washers and 2-3/8" nuts; 10" round snap-lock duct 24" long; air filter (cartridge type for diesel trucks, NAPA 6616 or Hastings AF699).

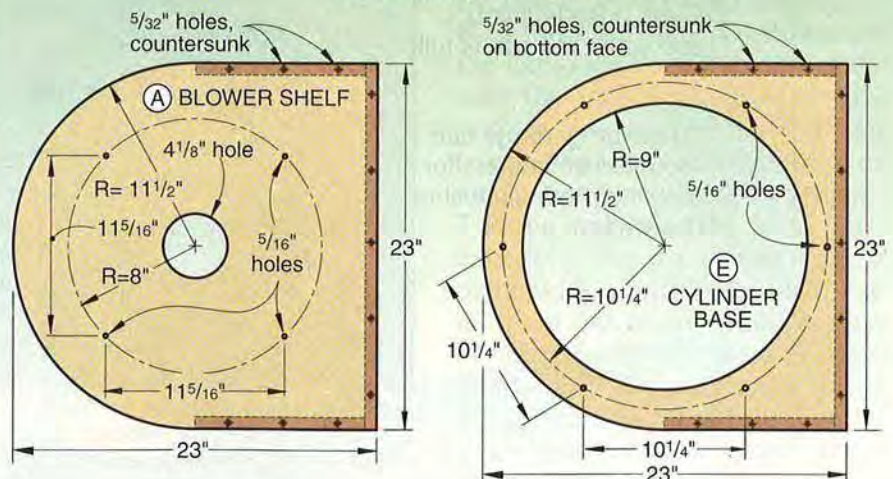
Buying Guide

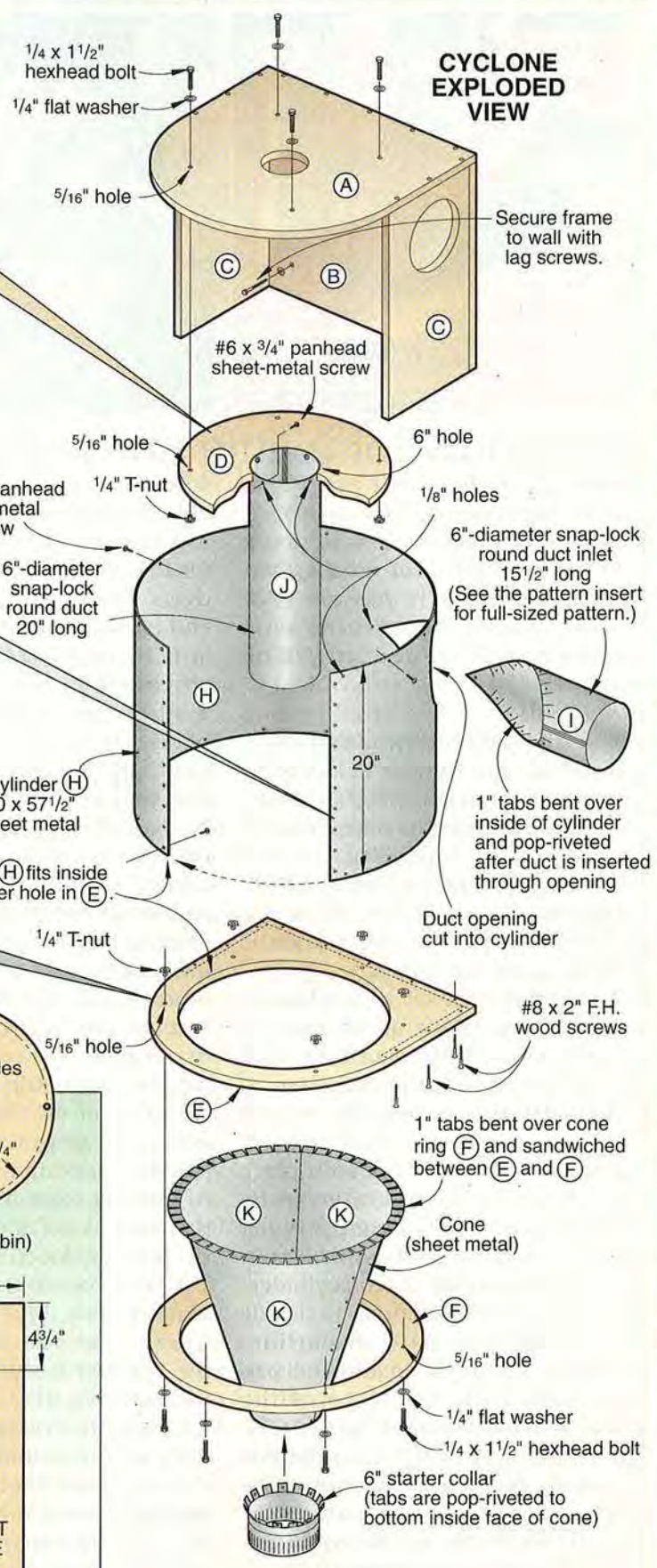
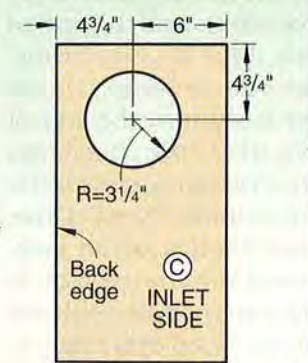
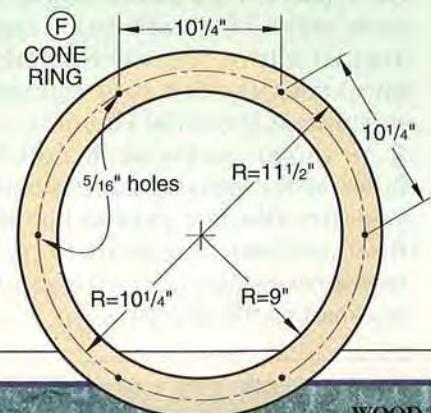
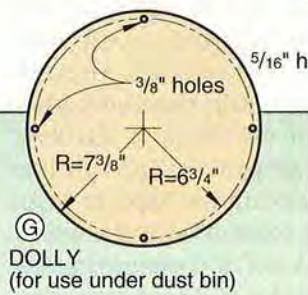
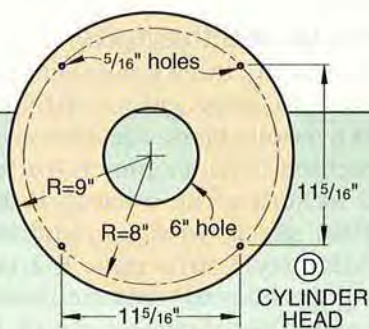
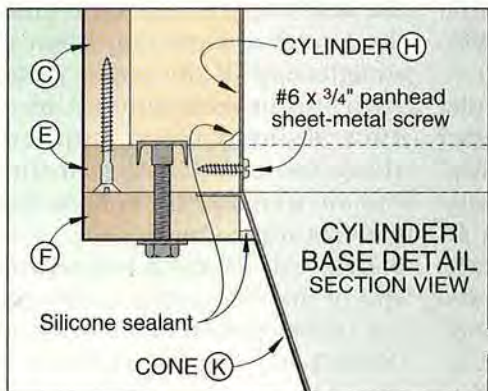
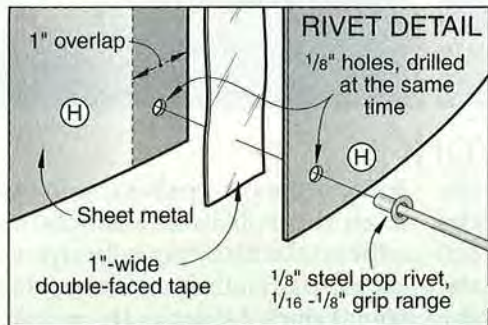
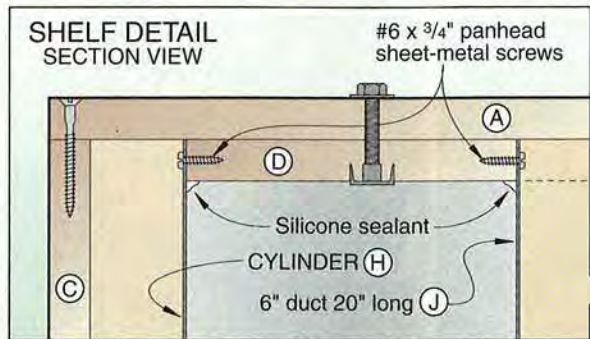
Portable dust collector. 1 1/2 horsepower, 760 cfm blower with four casters, nuts, and washers (use the casters on the bottom of the garbage can). Catalog no. DC3-CS, \$213.95 ppd. Penn State Industries, 2850 Comly Road, Philadelphia, PA 19154. Or, call 800/377-7297 to order.

Remote switch, air filter, and flexible hose. Radio-controlled switch and wireless transmitter, 110V, good for collectors up to 1 1/2 H.P., relay/receiver, #LR110, \$63.95 ppd. Add \$49 for an 8"-diameter by 16 1/2"-long air filter, product no. CYFILT. Add \$19.95 for a 12" length of 6"-diam. clear flexible hose and clamps and a 5' length of 4"-diam. flexible hose and clamps, product no. CYKITW1. Penn State Industries, address and phone number listed above.

Materials Key: C—choice of either medium density fiberboard or birch plywood, SM—30-gauge sheet metal (commonly sold as roof flashing), D—30-gauge galvanized steel, snap-lock, round duct.

FRAME PARTS VIEW





Continued



And now for a little sheet-metal work

Note: Don't have any experience with sheet metal? Not to worry. We've kept the sheet-metal work to a minimum and used off-the-shelf pieces where possible. For more insight on working with sheet metal, see the article on page 8.

1 Scribe the cutlines, and cut a piece of sheet metal to 20×57½" for the cylinder blank (H). (Using an aviation-style tin snips, we cut ours from 20"-wide, 30-gauge roof flashing, purchased from a local hardware store. A 10' section is enough for the cylinder H and the three cone segments K.)

2 Copy or transfer the inlet-hole pattern from the pattern insert in the center of the magazine, and adhere it with spray adhesive to the cylinder blank (H) where shown on pattern insert. If your sheet metal came in a roll, place the curl side *down* on the workbench. The side facing up (what was the outside face of the roll) will be the outside of the cylinder.

3 Drill a ½" hole about ½" inside the inlet-hole pattern cutline. Staying about ½" inside the pattern line, cut out most of the waste with a metal snips. (We found it difficult to cut to the line without first removing most of the waste.) Cut along the pattern line to finish forming the opening. Remove the paper pattern.

4 Using a centerpunch, mark the hole centerpoints along both sides and one end of cylinder blank (H) for the sheet-metal screws and the rivets. Mark the centerpoint at the end of the teardrop-shaped cutout in H. Drill the holes. See the pattern insert for reference.

5 Test-fit the sheet-metal cylinder blank (H) around the cylinder head (D) to verify the 1" overlap. Use an awl to scribe the overlap line on the cylinder. Apply a 1"-wide strip of double-faced tape aligned with the overlap line, and adhere the other end of the blank, forming a cylinder.

6 Clamp a piece of 2×4 on edge to your workbench so that 22" extends out from the bench. Slide the cylinder (H) over the protruding 2×4, centering the overlapped taped seam on the 2×4. Drill ⅛" holes and pop-rivet the cylinder together, leaving the tape in place to seal the seam where shown on the Rivet detail accompanying the Cyclone Exploded View drawing.

7 Use a hammer and block of wood to seat the T-nuts in the ⅝" holes in the cylinder head (D). Fit the cylinder head into the top of the cylinder (H). Drill pilot holes through the cylinder and into the edge of the cylinder head. Drive the screws to connect the two, making certain the top surface of the cylinder head is flush with the top edge of the metal cylinder.

8 Copy the pattern for the inlet (I) from the Full-Sized Patterns, and adhere it with spray adhesive to a piece of 6"-diameter snap-lock round duct 24" long. Do not snap the duct together until the end of the inlet has been cut. Align the straight end of the paper pattern with the uncrimped end of the duct. Using a metal snips, cut along the curved pattern lines, and then make the cuts to form the tabs at the same end.

9 Drill the ⅛" rivet holes in the end of the inlet and in every other tab where marked. Now, remove the paper pattern, and snap the seam together.

Time to add the cone

1 Lay out the three cone segments (K) on 30-gauge galvanized steel sheet metal. Mark the pop-rivet centerpoints with a punch. Use an awl to scribe the overlap lines. Cut the pieces to shape with the aviation-style tin snips, and cut along the lines to form the tabs at the top of each segment. Apply 1"-wide strips of double-faced tape, aligned with the scribed overlap lines. Stick the first two segments together as shown in Photo A.

2 As shown in Photo B, drill ⅛" holes at the marked centerpoints. Pop-rivet this first joint to join the first two cone segments. Repeat this process to fasten the third segment to the first two.



3 Clamp the 2x4 flat on the workbench as shown in Photo C. Clamp the taped edge of the three joined cone segments to the 2x4 using another board aligned with the overlap line to hold it flat. Using the clamping board as a guide, adhere the free end of the joined cone segments to the tape, forming a cone (K) as shown in Photo C. Drill $\frac{1}{8}$ " holes at the marked centerpoints, unclamp the cone, and pop-rievet the overlapping edges together.

Add the starter collar and cone ring to the cone

1 Reclamp the 2x4 on *edge* to the workbench. Mark the location of every other tab of the 6" starter collar around the outside of the bottom opening of the cone. Insert the tabs of the starter collar into the cone, and slide the cone and starter collar over the 2x4. Drill through the cone and the tabs as shown in Photo D. Pop-rievet the collar into place.

2 Support the edge of your cone ring (F) on the edge of your workbench as shown in Photo E. Drop the completed cone (K) into the ring and bend down the tabs as shown in the photo.

3 Place the cone on the workbench with the tabs down. Clamp the cone ring down tightly. Clean the metal with denatured alcohol, and apply sealant to the joint

between the cone and the starter collar and in the gap between the cone and the cone ring where shown on the Cylinder Base detail.

It's time to connect the inlet and outlet

1 Position the inlet (I) in the teardrop-shaped cutout in the cylinder (H) so that the *ends of the tab cuts* are flush with the surface of the cylinder. Align the rivet hole at the end of the teardrop-shaped cutout in the cylinder with the rivet hole at the pointed end of the inlet. Pop-rievet them together.

2 Bend the tabs on the inlet (I) over so they are flat on the *inside* of the cylinder (H). Now, drilling from the inside and riveting from the outside, drill through every other tab and through the cylinder. Pop-rievet the inlet to the cylinder, checking to make sure that the inlet remains properly aligned in the hole in cylinder (H).

3 Cut the outlet (J) from a piece of 6" round duct, cutting off the crimped end. Do not snap the duct together until the outlet has been cut. Snap the seam together, and insert the outlet into the hole in the center of the cylinder head (D). Make certain the top edge of the outlet is flush with the top surface of the cylinder head. Drill the pilot holes, and screw the outlet to the cylinder head. See the Shelf detail for reference.

Next, construct the main body of the cyclone

1 Position the shelf/back/side assembly (A,B,C) on its back on your workbench, and attach the cylinder head/cylinder/inlet/outlet assembly (D,H,I,J) to it with four $\frac{1}{4}$ x $1\frac{1}{2}$ " hexhead bolts and flat washers where shown on the Cyclone Exploded View drawing and accompanying Shelf detail.

2 Clamp the cylinder base (E) to the open bottom end of the cylinder (H), and against the bottom ends of the back (B) and sides (C). Now, working from the inside of the metal cylinder, drill the holes and screw the cylinder to the base (E). See the Cylinder Base detail for reference.

3 Remove the clamps. Then, remove the bolts connecting the cylinder head (D) to the blower shelf (A). Set the D,E,H,I,J assembly on its base on the workbench, and seat the T-nuts in the $\frac{5}{16}$ " holes in the cylinder base (E).

Note: Before applying sealant in the next step, clean the sheet-metal surfaces where the sealant is to be applied with denatured alcohol or lacquer thinner. For ease of application, particularly on the inside of the cylinder, use sealant in a squeeze tube rather than a caulking gun cartridge.

4 To further seal the project components, apply a fillet of sealant at the juncture of the cylinder (H) and the cylinder base (E) where shown on the Cylinder Base detail accompanying the Cyclone Exploded View drawing. Apply a fillet of sealant on the outside of the juncture of the cylinder and inlet (I). Turn the assembly over, and apply fillets of sealant at the juncture of the cylinder and cylinder head (D) and the outlet (J) and cylinder head where shown on the Shelf detail.

Continued

Cyclone

The dust bin comes next

1 Cut a 6" hole in the center of the lid of a 20-gallon galvanized steel garbage can. Insert the tabs of a 6" starter collar into the hole, and bend the tabs over on the *inside* of the lid.

2 Working from the bottom side of the lid, drill $\frac{1}{8}$ " holes through every other tab and through the lid. Working from the top side of the lid, pop-ribose the lid to the starter collar.

3 Drill holes through the lid and attach a pair of metal handles to the lid where shown on the Exploded View drawing.

4 Clean the metal as before, and apply sealant to the joint between the starter collar and lid. Then, clean the metal around the inside rim of the lid, and adhere a ring of $\frac{3}{8} \times \frac{3}{4}$ " self-adhesive, closed-cell sponge rubber weather strip.

5 Fit the dolly (G) inside the lip on the bottom side of the garbage can. Drill four $\frac{3}{8}$ " holes through the dolly and through the bottom of the garbage can (the four casters and mating hardware come with the blower sourced in the Buying Guide). Secure the casters to the dolly and garbage can. Put the lid on the can and roll it aside.

An air filter keeps the fine dust in

1 Mark the outlines of the inlet ring (L), outlet ring (M), and filter holder (N) on $\frac{3}{4}$ " medium density fiberboard or birch plywood to the shapes shown on the Filter Parts View drawing.

2 Drill $\frac{3}{8}$ " holes in the interior waste portion of L, M, and N, and jigsaw to the lines.

3 Mark the centerpoints for the four $\frac{5}{16}$ " holes on the outlet ring (M). Center the outlet ring on the filter holder (N), and clamp them together. Drill the $\frac{5}{16}$ " holes through both pieces. Unclamp the pieces, and drill a $\frac{3}{8}$ " hole through the center of N.

4 Finish-sand the pieces, and paint parts L and N.

5 Cut a piece of 4" snap-lock duct for the filter inlet (O) to 4" long, snap it together, and insert it into the hole in the inlet ring (L). Drill the pilot holes and screw the pieces together.

6 Seat the T-nuts in the $\frac{5}{16}$ " holes in the outlet ring (M). Snap a 24"-long section of 10" snap-lock duct together to form part (P). Fit the inlet ring (L) into the crimped end where shown on the Filter drawing. Drill pilot holes, and screw the duct to the inlet ring.

7 Fit the outlet ring (M) into the uncrimped end of P. Drill the pilot holes, and drive the screws.

8 Clean the metal, and apply sealant around the inside of the filter housing (P) where the duct meets the inlet and outlet rings and where the inlet (O) meets the inlet ring.

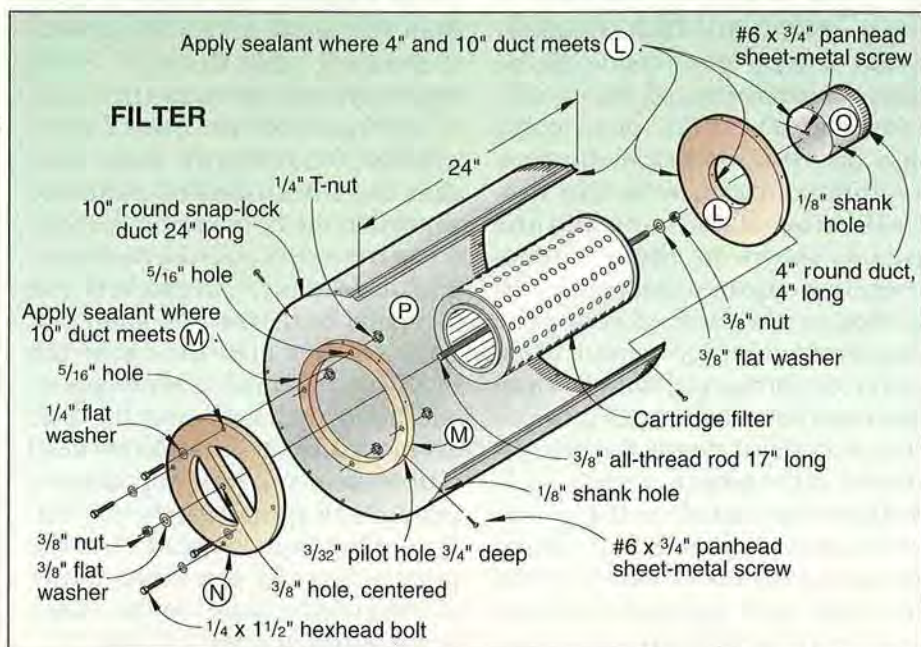
9 Fasten the cartridge filter to the filter holder (N) with a 17"-long piece of $\frac{3}{8}$ " all-thread rod, washers, and nuts, making certain the cartridge is centered on the filter holder. Slide the cartridge/filter holder assembly into the filter housing, and fasten it into place.

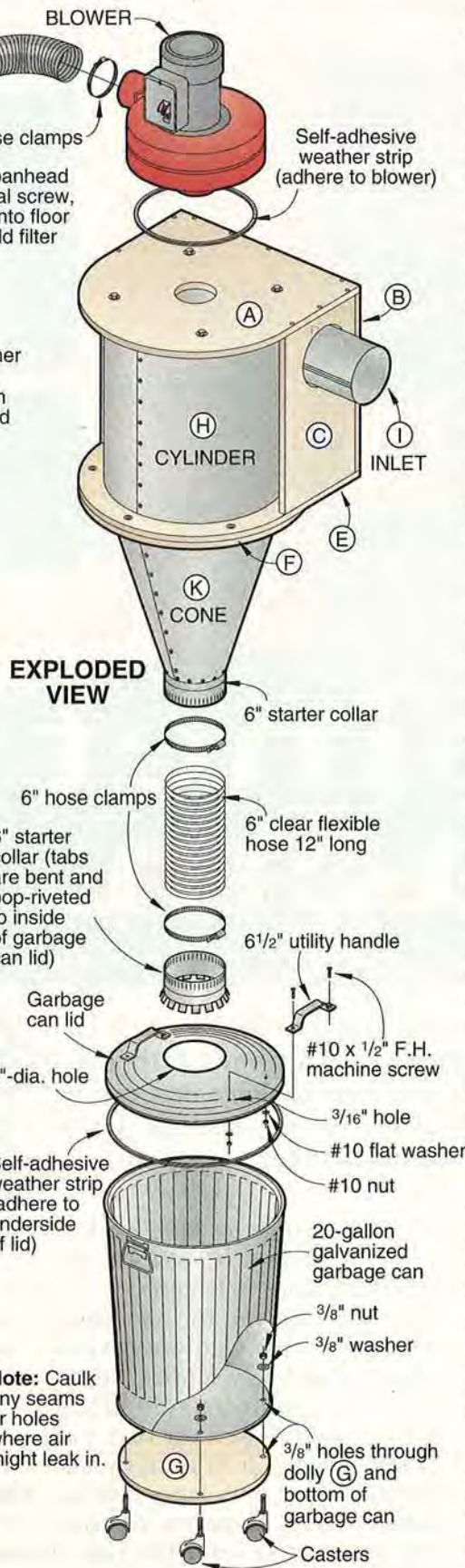
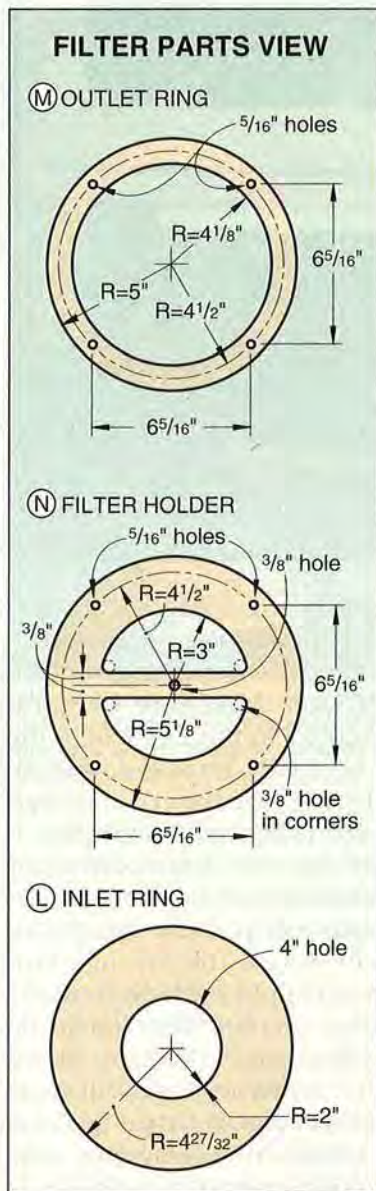
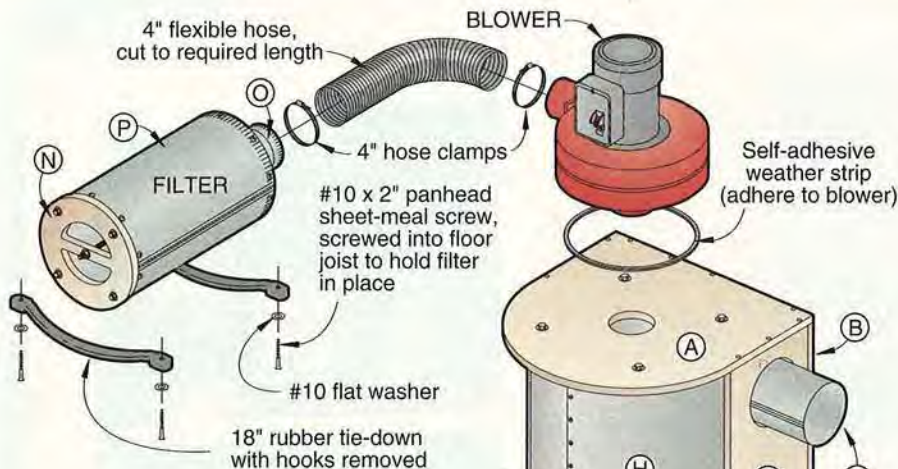
Final assembly

1 Drill holes through the back (B) for mounting the unit to the wall later. See the Frame drawing for reference. Position the holes so you hit at least one stud (and ideally two) in the wall. Fasten the bracket assembly (A,B,C) to the wall so that the top of the blower shelf (A) is level and 76" from the floor. The total height required for the dust collector is 90". If there is not sufficient clearance underneath the floor joists, position the assembly (A,B,C) so that the blower motor will be located between two floor joists. Allow for a minimum clearance of 1" over the top of the blower motor.

2 Fit the cylinder assembly (D,E,H,I,J) into the bracket assembly by rotating it enough to fit the inlet (I) through the hole in the side (C), and fasten it in place with the $\frac{1}{4}$ " bolts. Then, secure the cylinder base (E) to the back (B) and the sides (C) with 2" wood screws.

3 Position the cone assembly (F,K) underneath the cylinder base (E), and fasten it in place with $\frac{1}{4}$ " bolts, sandwiching the 1" tabs of the cone (K) between the





Note: Caulk any seams or holes where air might leak in.

cylinder base and the cone ring (F) where shown on the Cyclone Exploded View drawing.

4 Attach a 12" length of 6" flexible hose to the starter collar at the bottom of the cone with a hose clamp. Position the dust bin under the cone, and attach the other end of the hose to the starter collar on the can lid with a hose clamp where shown on the Exploded View drawing.

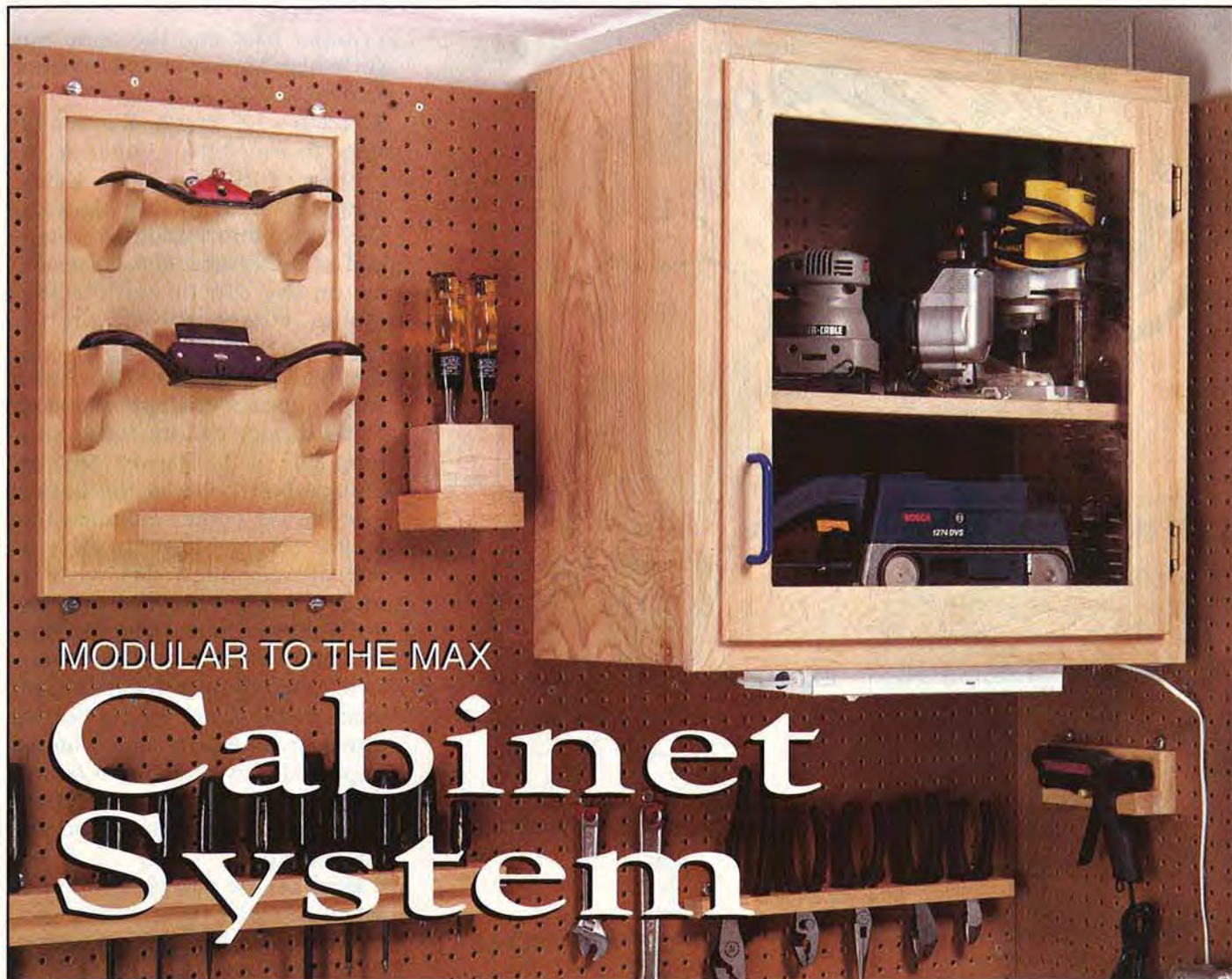
5 Adhere a piece of $\frac{3}{8} \times \frac{3}{4}$ " weather strip to form a ring approximately 11" in diameter to the intake (bottom) side of the blower. Seal any unused bolt holes in the blower (the blower comes mounted to a frame). Set the blower in place on the blower shelf (A) with its intake flange inserted into the $\frac{4}{8}$ "-diameter hole. Hang the filter assembly (L,M,N,O,P) between two conveniently located floor joists, using a pair of rubber tie-down straps where shown on the Exploded View drawing. Connect the blower to the filter with a length of 4" flexible hose and two hose clamps.

6 Hook up the dust-collection piping to the inlet (I). If you've used plastic piping for the central dust-collection system in your shop, connect the grounding wire to the blower housing. (See the June 1991 issue, #43, of *WOOD*® for our shop-made dust-collection system using PVC pipe.)

7 For convenience, we plugged the blower into a radio frequency controlled switch so we can operate it from any location in the shop with a wireless transmitter.

8 Periodically you'll need to remove the filter and blow it out. Also, by watching the clear hose above the garbage can, you'll be able to tell when the can is full. ☛

Written by Marlen Kemmet
Project Design: Jan Hale Svcc
©Meredith Corporation, All Rights Reserved
Illustrations: Kim Downing; Lorna Johnson
Photographs: John Hetherington; Bill Hopkins



MODULAR TO THE MAX

Cabinet System

The smaller your shop, the smarter you have to be when laying it out to meet your needs. That's why for our 12×16' IDEA SHOP® 3, we decided to go with a cabinet package that can be anything you want it to be. Read the boxed material at the end of the article to customize the cabinets for your shop.

Let's begin with the perforated hardboard tool board

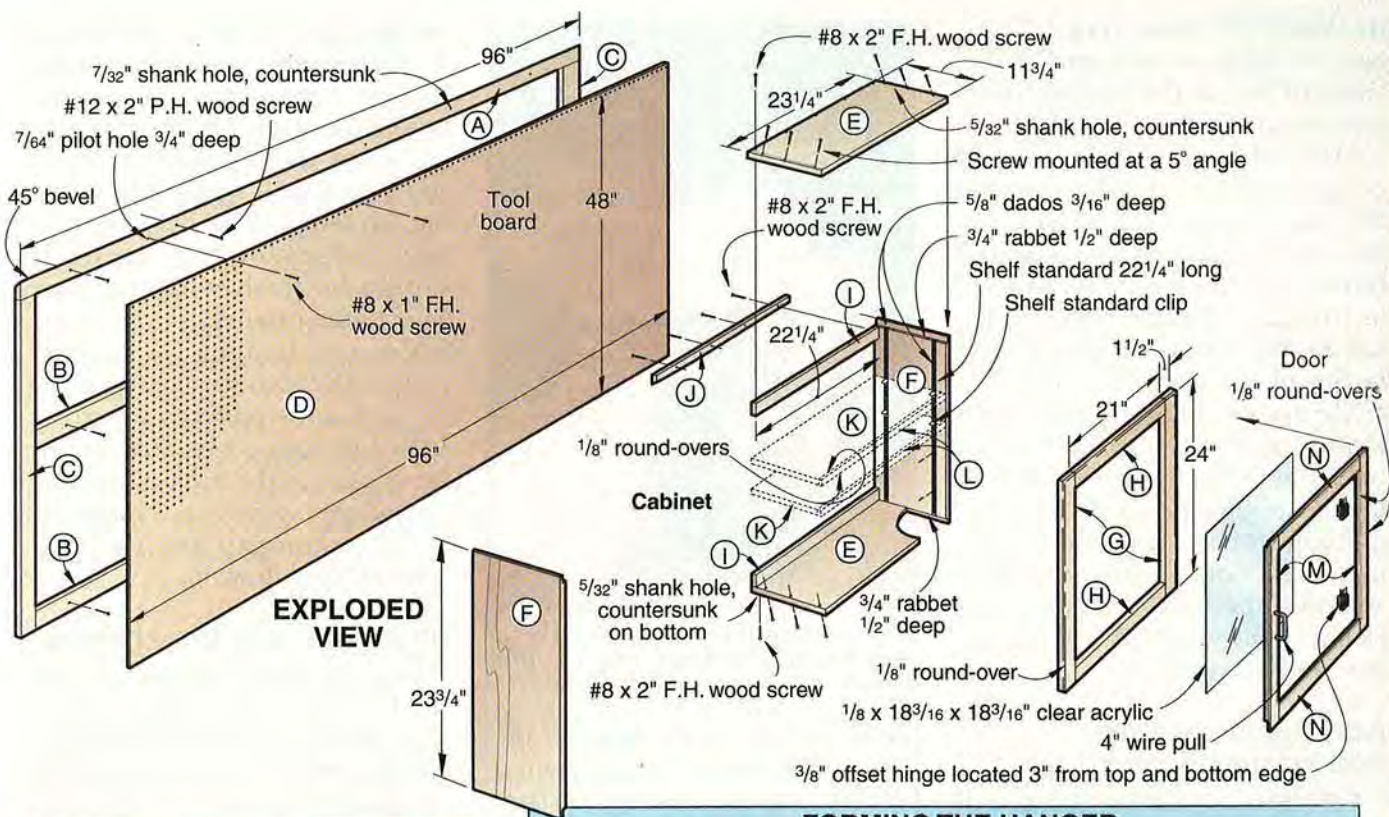
1 Select the straightest 1×3's available for the mounting strips (A, B, C). When purchasing these, make sure they're ¾" thick, we ran across some furring strips that measured only ⅝" thick. Use the straightest of the bunch for the top strip. Now, bevel-rip the top mounting strip at 45° where shown on the Hanger detail

accompanying the Side Section View drawing. Crosscut the mounting strips to length.

2 To position the top mounting strip A (the one with the beveled edge), temporarily screw or nail a 2×4 to the bottom side of the floor joists, assuming that you have 7' ceilings in your basement. For basements with taller ceilings, simply snap a chalk line to establish where you want the top of

the pegboard. Using the 2×4 as a spacer creates the necessary 1½" gap needed for hanging the cabinet(s) later. Make sure you locate the screws in the 2×4 where they can be easily removed after the perforate hardboard has been secured to the mounting strips.

3 Lay out and drill countersunk mounting holes through each mounting strip. Using the 2×4 as a spacer, screw the top mounting strip (A) in place where shown on the Side Section View and accompanying detail. The type of wall you're screwing into will determine the size and type of fasteners required. Screw the other mounting strips (B, C) in place.



The bevel-ripped hanger strip on the cabinet fits onto the mating angled piece on the tool board, allowing you to position the cabinet wherever you want.

4 Drill mounting holes, and screw the perforated hardboard front (D) to the mounting strips. Remove the 2x4 spacer from the floor joists.

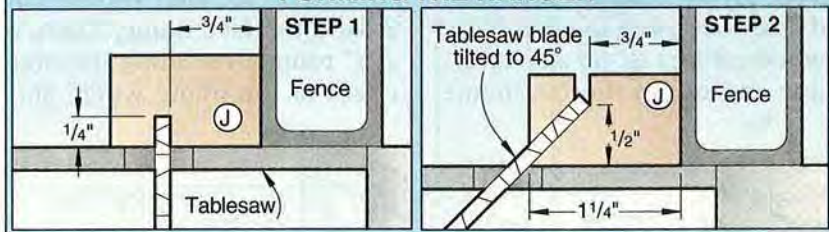
Now, construct the wall cabinet

1 Cut the cabinet top and bottom (E) and sides (F) to size.

2 Using a dado blade in your table-saw, cut 5/8" dados 3/16" deep for the shelf standards on the inside face of

Continued

FORMING THE HANGER



Bill of Materials

Part	Finished Size			Mati.	Qty.	Part	Finished Size			Mati.	Qty.
	T	W	L				T	W	L		
TOOL BOARD						SUPPORTS AND HANGER					
A top strip	3/4"	2 1/2"	96"	P	1	I supports	3/4"	1 1/2"	22 1/4"	M	2
B middle & bottom strips	3/4"	2 1/2"	91"	P	2	J hanger strip	3/4"	1 1/4"	23 3/4"	M	1
C end strips	3/4"	2 1/2"	45 1/2"	P	2	SHELVES					
D front	1/4"	48"	96"	PH	1	K* shelves	3/4"	11 3/8"	22 1/8"	BP	2
CABINET						L* banding	1/4"	3/4"	22 1/8"	M	2
E top & bottom	3/4"	11 3/4"	23 1/4"	BP	2	DOOR					
F sides	3/4"	11 3/4"	23 3/4"	BP	2	M stiles	3/4"	2"	21 1/2"	M	2
FACE FRAME						N rails	3/4"	2"	21 1/2"	M	2
G stiles	3/4"	1 1/2"	24"	M	2	Supplies: #8x1" flathead wood screws, #8x2" flathead wood screws, #12x2" panhead wood screws, one pair of 3/8" offset self-closing hinges (we used Amerock hinges, #BP 7565-BB), 4" wire pull, shelf standards and clips, 1/8x3/8" diameter cushions, acrylic, clear finish.					
H rails	3/4"	1 1/2"	21"	M	2						

*Cut parts marked with an * oversized. Trim to finished size according to the how-to instructions.

Materials Key: P—pine or fir, PH—perforated hardboard, BP—birch plywood, M—maple or birch

Cabinet System

the sides (F). Then, cut $\frac{3}{4}$ " rabbets $\frac{1}{2}$ " deep on each end of the sides to house the top and bottom (E) later.

3 Mark the screw-hole centerpoints on the top and bottom (E). We located ours $1\frac{1}{2}$ " from each end and centered the middle screw. The screws are located $\frac{1}{2}$ " in from the outside edge. Now, cut a scrap block like that shown in the photo *at right*, with a 5° angle across one end. Glue and clamp the plywood panels (E, F) together, checking for square. Using the block as a drill guide, drill angled holes through the corner joints. Countersink the holes, and drive the screws. Remove the clamps, and wipe off any excess glue with damp cloth.

Add the face frame and supports next

1 Cut the face frame stiles and rails (G, H) to size, so the assembled face frame will overhang the plywood cabinet $\frac{1}{8}$ " on all edges.
2 Glue and clamp the face-frame



After marking the centerpoints $1\frac{1}{2}$ " in from the outside edge, use a 5° drill guide to drill the angled holes.

pieces directly to the front of the plywood cabinet. If you own a biscuit cutter, you can further strengthen the joint with biscuits.
3 Sand the face frame. Then, rout a $\frac{1}{8}$ " round-over along the outside edges of the frame where shown

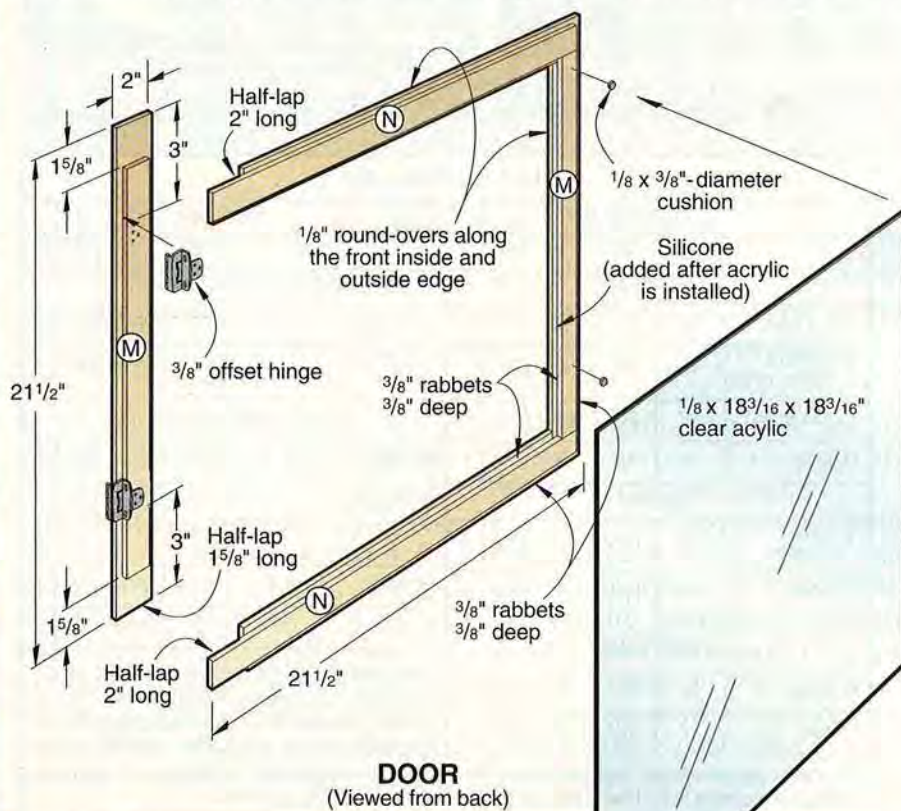
on the Exploded View drawing.

4 Measure the cabinet opening, and cut the supports (I) to size. Drill mounting holes, and glue and screw the supports to the top and bottom (E) where shown on the Exploded View drawing. The back edges of the supports should be flush with the back edge of the cabinet.

5 Cut the hanger (J) to size. Follow the two-step drawing on the previous page to form the angled bottom edge. Now, screw the hanger to the back of the cabinet where shown on the Hanger detail accompanying the Side Section View drawing.

Next, let's add the shelves

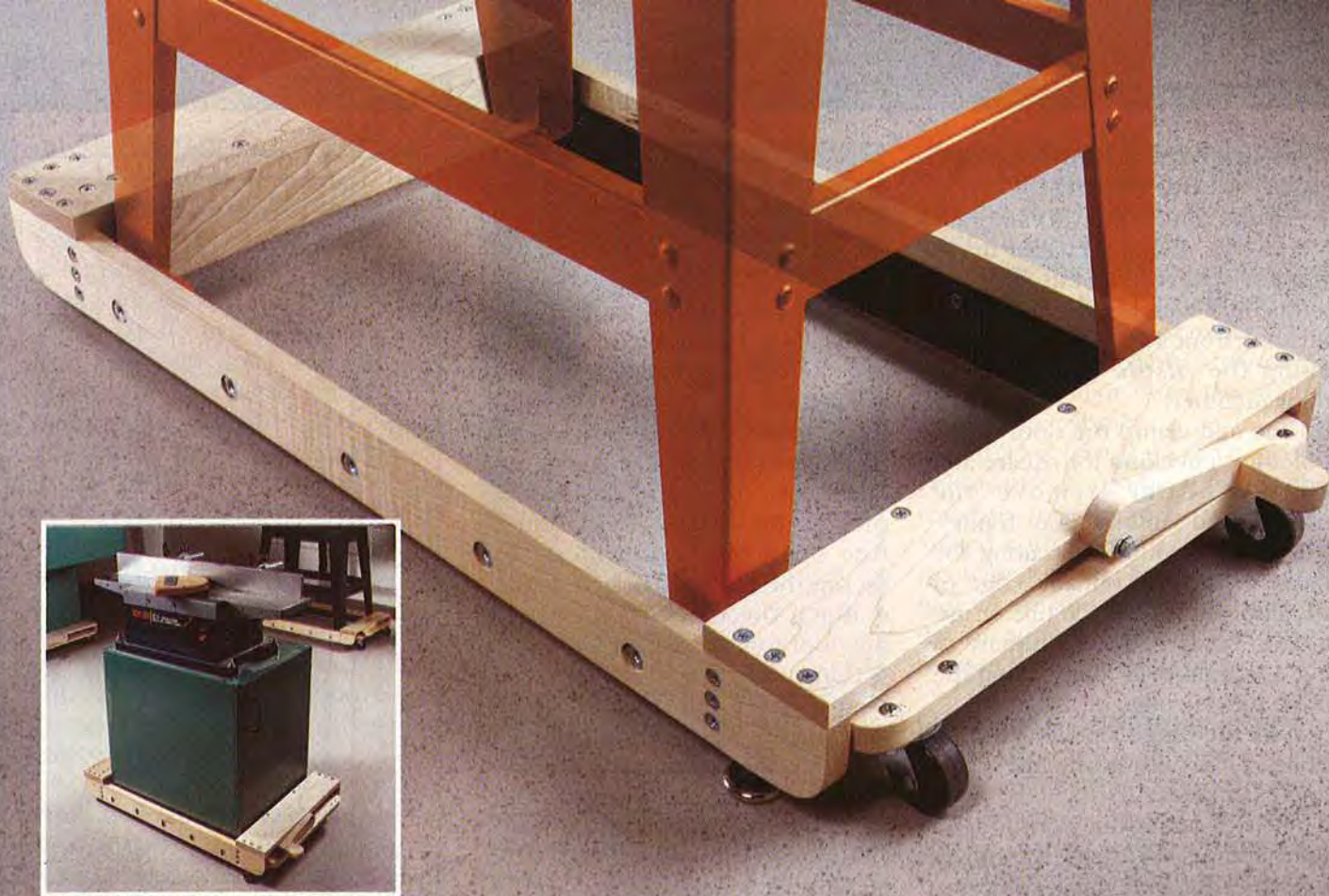
1 Cut the plywood shelves (K) and banding strips (L) to size plus 1" in length. Glue and clamp the banding strips to the front edge of the plywood shelves. Later, remove the clamps, and cut the shelves/banding to final length.
2 Rout $\frac{1}{8}$ " round-overs along the front, banded edge of each shelf.



Tips on Customizing Your Tool Board and Cabinets


Because all shop walls are not created equal, start by carefully determining where you want to position your tool boards and cabinets. And, in our opinion, you never can have too much perforated hardboard from which to hang tools and such. That's why we covered as much wall space in IDEA SHOP® 3 with it as we could.

Then, determine the size you'll need your tool boards. Since most basements have 7' ceilings, we designed this system to hang $1\frac{1}{2}$ " below the bottom edge of the floor joists. You'll need this $1\frac{1}{2}$ " clearance for hanging the cabinets on the tool



Roll-Around Tool Base

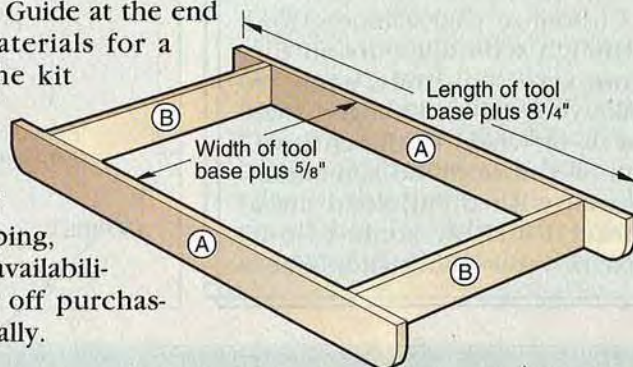
Tired of muscling your tools around the shop when you need to use them or clean around them? If so, try this money- and back-saving solution—a four-wheeled tool base for moving heavy woodworking machines quickly and easily. Once you build one (or more), you'll wonder how you got by without it.

 [Print this article](#)

Tips on sizing your tool base

To determine the size of the mobile tool base, start by measuring the outside length and width of your tool base. Then, add 8¼" to the length to determine the length of the sides (A), and add 5/8" to the width to determine the length of the ends (B). Next, adjust the other pieces according to the instructions. The mobile base we built fits the base of our Sears 17¾×27" bandsaw.

See the Buying Guide at the end of the Bill of Materials for a hardware kit. The kit contains everything except the angle iron. Due to the cost of cutting and shipping, and the ease of availability, you're better off purchasing angle iron locally.



Bill of Materials

Part	Finished Size			Mati.	Qty.
	T	W	L		
A sides	3/4"	2 3/4"	TBD	M	2
B ends	3/4"	2 3/4"	TBD	M	2
C end caps	3/4"	4"	TBD	M	2
D blocks	1"	2"	3"	LM	2
E caster mount	3/4"	4"	TBD	M	1
F cam lever	3/4"	1 5/8"	7 1/4"	M	1
G toekick	3/4"	1 1/2"	2"	M	1

TBD: To be determined. Read the instructions for details on sizing a base to fit your machine base.

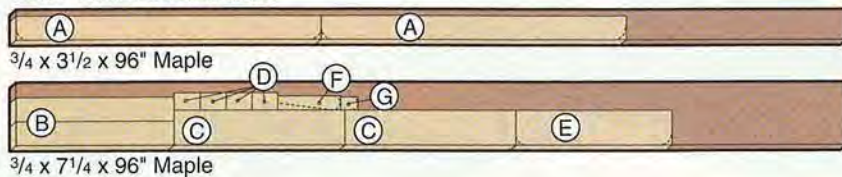
Materials Key: M—maple, LM—laminated maple.

Supplies: 2-1/8x1 1/2" angle iron crosscut to fit your base, 10-1/4x3/4" flathead machine screws with 1/4" T-nuts, 8-1/4x1 1/4" flathead machine screws with hex nuts and lock washers, 8-1/4x2 1/2" flathead machine screws with hex nuts and lock washers, 2-2" fixed casters and 2-2" swivel casters, (90-lbs. plate casters with rubber wheels), 2-1 1/2x2 1/2" butt hinges with 12-#10x1/2" panhead sheet-metal screws, 1-1/4x2" lag screw with a flat washer, 28-#14x2" sheet-metal screws, 2-3/8" threaded inserts with matching leveler glides, 2-#8x1 1/2" flathead wood screws, clear finish.

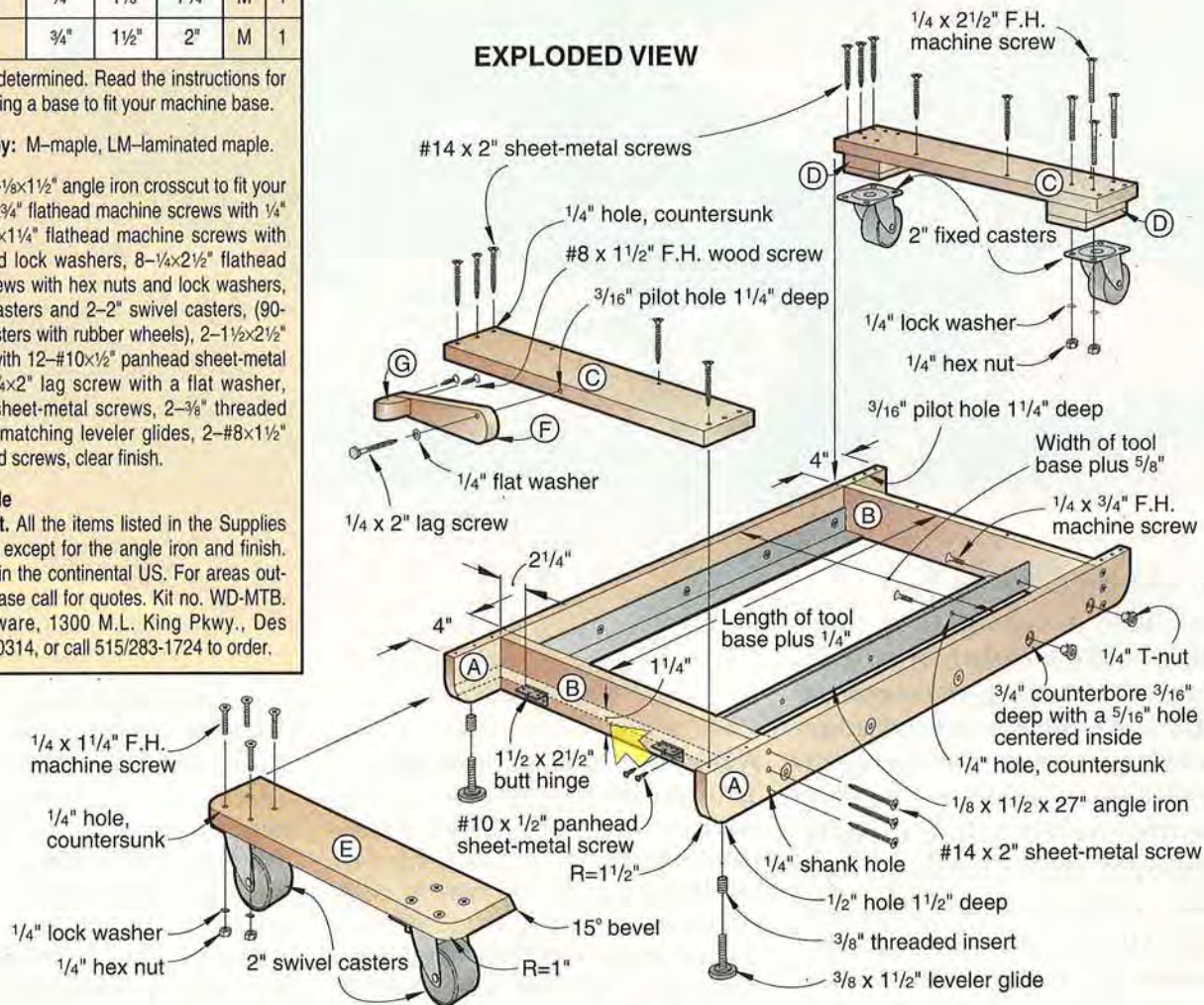
Buying Guide

Hardware kit. All the items listed in the Supplies listing above except for the angle iron and finish. \$39.99 ppd. in the continental US. For areas outside this, please call for quotes. Kit no. WD-MTB. Miller Hardware, 1300 M.L. King Pkwy., Des Moines, IA 50314, or call 515/283-1724 to order.

CUTTING DIAGRAM



EXPLODED VIEW



The basic wood frame comes first

1 From 3/4" hardwood stock (we used maple), cut the base sides (A) and ends (B) to the lengths determined using the information in the box at left and to the width listed in the Bill of Materials.

2 Clamp the ends (B) between the sides (A) in the configuration shown on the Exploded View drawing and where dimensioned on the Parts View on the **WOOD PATTERNS®** insert in the center of

the magazine. Check for square. *The opening should measure 1/4" longer than your tool base and 5/8" wider.* Verify this, then drill countersunk holes through the sides (A) and centered into the ends of the ends (B). Drive the screws, *but do not glue the joint yet.* For extra holding power, we used sheet-metal screws. For ease in driving the screws, add beeswax to the screw threads.

3 Measure from the outside face of one A to the outside face of the

SEE THE **WOOD PATTERNS®**
INSERT FOR
FULL-SIZED PATTERNS

opposite A to determine the length of the end caps (C). Cut the end caps to length from stock ripped to 4" wide.

4 Laminate stock to form the 1"-thick caster blocks (D), then cut them to size. Temporarily clamp the end cap (C) for the fixed casters in place, and glue the caster blocks to the bottom side of the

Continued on page 96

PORTABLE BELT



No handheld power tool can hold a candle to a portable belt sander when it comes to leveling out a rough panel, shaping a curved edge profile, and downright heavy-duty sanding. But as we discovered, some models perform these tasks better than others. Read on and we'll share with you what we found out when we looked at 14 popular models of 3×21" and 3×24" belt sanders.

A few words about our test

To evaluate the 14 belt sanders listed here, we began with a careful inspection of each one to check the quality and type of components used, the fit of critical components, and the overall construction. Once we were familiar with the machines, we fired them up and sanded some polyester-

coated particleboard. We chose this material since variations in a sander's base flatness show up quickly in the form of uneven sanding patterns. To get a better feel for their handling characteristics and sanding performance, we used the sanders on a laminated maple benchtop, trying different grit belts and different hand pressure. This provided us with information on a number of other aspects such as belt tracking and dust control. We also checked out their performance in edge sanding and their ability to sand flush to a 90° edge.

FAST FACTS

- Only a couple of the belt sanders we tested sanded flat and level right out of the box.
- Graphite slip plates lie much flatter than their cork and steel counterparts.
- The balance and feel of a sander affects how well you can sand with it.
- A sanding frame—offered as an option for many sanders—proved invaluable when flattening glued-up panels. The frame's larger area bridges the valleys so you sand only the high spots. It also prevents the sander from accidentally tipping and gouging your work.

Why own a belt sander?

If you own a random-orbit sander, you may wonder if you really need a belt sander. Well, you probably own a shovel, but if you had a really big hole to dig, you'd hire someone with a backhoe.

When it comes to removing lots

SANDERS

Should you have one of these powerhouses in your tool arsenal?

of stock in a hurry, you want a portable belt sander in your hands. With a 3"-wide abrasive belt, spinning at up to 1,500 feet per minute, it takes quite a bite, even in hardwoods. And, its portability lets you carry that raw power to the job.

But when it comes to leaving a smooth, flat surface, the models we tested varied greatly. We found a number of contributing factors—detailed here and in the following pages—that separate the good belt sanders from the rest of the pack.

What matters most when looking for a belt sander

- **A flat platen.** For a belt sander to sand flat, the base that supports the sanding belt where it contacts the workpiece—the platen and its

slip plate—must be flat, as indicated in the drawing, *below*. Ridges or deflections in the platen or slip plate show up when you sand.

To test the flatness of platens, we held each sander in place while sanding a piece of polyester-coated particleboard. An even pattern, as shown in the photo *below left*, was the mark of a flat platen and earned an excellent rating in the chart on *page 72*. An uneven pattern, or one that showed sanding in several spots, as shown *below right*, indicated the platen had high spots, most typically on the front and back edges.

The sanders with cast-aluminum platens produced the most even sanding patterns—the Bosch 1274DVS and Metabo 0775 turned in excellent results right out of the box. However, by filing down minor high spots on the other platens, we brought even fair performers into acceptable limits.

Rigid, stable, and durable, cast-aluminum platens stand up to abuse. The same can't be said for stamped steel platens. Even the stamping process warps the bases, as does welding or machin-



Cast-aluminum platens (left) proved flatter and more rugged than platens stamped from steel (right). Stamping and machining for mounting screws also warps the steel.

ing done for mounting hardware, as shown in the photo *above*.

However, if you use a belt sander for fast and rough removal of stock only, and precise flatness doesn't matter to you, disregard the "flatness of base" column on *page 73*. All of the sanders have bases flat enough for rough work.

- **A graphite slip plate.** To prevent the belt from wearing down the platen, manufacturers install a slip plate between the platen and the belt. As the name implies, the slip plate allows the belt to slide smoothly over the platen.

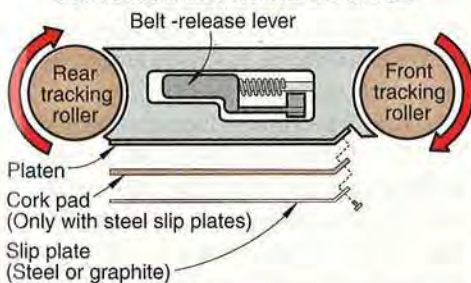
Ideally, the slip plate should conform to the platen to provide a flat sanding base. However, the material used and the way it attaches to the platen affect a slip plate's ability to conform.

Cloth-backed graphite slip plates conform perfectly to the platen. The lubricating properties of the graphite also help reduce belt friction and heat buildup.

Most manufacturers install a thin, tempered-steel plate backed by a cork or rubber pad. Though it provides a slick surface and lasts about three times longer than graphite, a steel slip plate doesn't always conform to the platen.

Continued

TYPICAL BELT SANDER BASE



A flat platen created an even pattern (left) when sanding polyester-coated particleboard. Uneven marks (right) show the platen had ridges and low spots.

PORTABLE BELT SANDERS



Cloth-backed graphite slip plates (top) conform perfectly to the platen. Tempered steel slip plates (bottom) don't lie flat against the platen along the bend line, a problem compounded when the cork pad compresses under the mounting screws.

Most steel slip plates bend along the leading edge where they attach to the platen, as shown in the photo *above*. We found that every plate of this type cut harder at the bend line than along the rest of the plate.

In some cases, the problem was compounded when the cork pad compressed under the mounting screws. This causes the sharp bend line to pull even farther away from the platen.

Though you can rebend, file, and sand a steel slip plate flat, we recommend spending that time fine-tuning the platen, if it needs it, and installing a graphite slip plate. If the maker of your sander doesn't carry a graphite plate, mail-order outlets such as Klingspor's Sanding Catalogue (800/228-0000) offer cloth-backed graphite padding material from which you can make your own slip plates. It comes in various widths and is sold by the yard.

Of the machines we tested, only the Bosch 1274DVS and the Metabo 0775 come with graphite slip plates as standard equipment. Among those with pad-backed steel plates, the DeWalt DW431 produced the best finish without rebending or fine-tuning.

- **A large sanding surface.** The size of the platen determines how much sandpaper you put in contact with the workpiece at any one time. The bigger the contact area, the more stock a sander will remove, regardless of belt size, although longer belts will outlast shorter ones. For example, among the sanders we tested, the 3×21" Bosch 1274DVS had the third largest platen (3×5 $\frac{7}{8}$ "), topped only by the two of the 3×24" models. See the chart on *page 72* for a comparison of the different platen sizes.

- **Good balance and handling.** How a belt sander feels in your hands directly impacts your suc-

cess in using it. Weight, balance, and even handle placement all factor into the comfort equation.

Editor's Note: To test this theory, we had product tester Bob McFarlin, project builders Jan Svec and Chuck Hedlund, and general-interest editor Kerry Gibson "test-drive" and rate each sander's handling characteristics. While each had his individual favorite, the ratings in the chart represent an "average" score.

Motor configuration plays a key role in the balance of a belt sander. Transverse machines, such as the Porter-Cable 360VS shown opposite page, *top left*, have universal motors mounted across the width of the body. The motor arbor turns in the same direction as the rollers with power transferred via a drive belt.

The sideways motor and drive belt make transverse machines tall and wide. This higher center of gravity makes them slightly top-heavy and prone to tip toward the side with the drive belt.

In-line machines, like the Ryobi BE-321 shown opposite page, *top right*, have a motor that runs parallel to the length of the sander. Since the arbor rotates at 90° to the rollers, in-line sanders use a right-angle speed reduction transmission to shift the power to a drive belt and the rollers.

The in-line configuration results in a narrower machine, with a low center of gravity. While less prone to tipping, most in-line machines require two hands due to the placement of the rear handle behind the machine.

Generally, the larger size of most transverse machines makes them heavier than in-line machines, with the exception of the Porter-Cable 503. This heavy-duty classic weighs in at nearly 15½ pounds, due to its cast-aluminum body, worm-gear transmission, and



Mounting the motor transversely, as in the Porter-Cable 360VS (left), creates a high profile, although the handle remains near the center of gravity. An in-line motor design, used in the Ryobi BE-321 (right), creates a low-slung, compact design with good balance.

chain-drive mechanism. Yet the 503's weight and balance let you run it with one hand on flat surfaces, as do some of the other heavier models.

Lightweight models like the DeWalt DW431 require more hand pressure on flat surfaces, but provide excellent control when edge-sanding stock. Consider what type of sanding you'll be doing most when you buy.

• **Sanding frame compatible.** If you plan to do much panel work, seriously consider buying a model that you can equip with a sanding frame, such as those shown at *left below*. Even models that did only a fair job of sanding flat on their own did much better with a frame



Sanding frames come with a phenolic base (left) or ride on hundreds of small brushes (right). We found that the latter glided more smoothly on flat workpieces.

attached. And, like platen size, the bigger the frame, the better.

None of the sanders tested come with sanding frames, but the chart lists those for which frames are available. The optional frames range in price from \$60 to \$120.

Other factors to consider

Besides the key points mentioned previously, we also took a look at the sanders' performance in the following areas:

• **Dust control.** You can't use a belt sander without generating huge amounts of fine dust, so how well a sander picks up the dust deserves serious consideration. We found the DeWalt DW431, Metabo 0775, Bosch 1275DVS, and Porter-Cable 503 excellent at picking up dust. Others left varying amounts of dust on the work surface, and a few actually blew dust around the shop. Only the Sears 117120 comes without a dust bag.

You can connect a vacuum hose to several models, but we found this option a mixed blessing. The slight increase in dust collection wasn't worth the added noise of the vacuum and trying to sand with a vac hose flopping around.

• **Power.** The machines all have the power to do the job, but those with higher amperage motors have the muscle to do it quicker. If you plan to do some heavy-duty sanding, such as large panels for doors or tabletops, choose a model that draws 8 amps or more.

• **Speed control.** A number of models offer variable-speed control (see the photos on the *next page, top*), and we recommend it for most home woodworkers. Slower speeds give you more control on veneer and edge-sanding tasks, and help prevent burning or gumming up a belt on plastics, particleboard, and during paint removal. If you're only interested in removing wood quickly, one speed will handle the job.

• **Noise.** Belt sanders roar. To find out how much, we measured the noise level from a distance of 24". As noted in the chart, only six registered under 100 decibels, a tolerable level for runs of a minute or two, although we suggest wearing hearing protection when using any belt sander for extended periods of time.

• **Bearings.** Nothing wears out bearings quicker than fine dust and grit, so look for a sander with

Continued

PORTABLE BELT SANDERS



Placement of the variable-speed controls varied. Our favorite was on the Bosch 1274DVS (top left), which has it built into the trigger switch. We also found the hand-mounted speed dials convenient on the Ryobi BE-321 (left) and the Porter-Cable 360VS (above).

sealed or needle bearings in both the motor and lower-drive assemblies. Even then, most manufacturers recommend replacing these bearings based on hours of use. Periodically cleaning out your sander with a blast of compressed air can help extend the machine's life.

• **Belt release and tracking.** A good belt-release system makes changing belts quick and painless—an important point since the belt tensioning springs can deliver quite a pinch. The belt tracking adjustment should quickly align the belt and keep it there.



Bosch 1274DVS

Ryobi BE-321



Porter-Cable 503

Bosch 1275DVS



THE LOWDOWN ON 14

BRAND	MODEL	BELT SIZE (WxL) (INCHES)	NUMBER OF SPEEDS	BELT SPEED (FEET PER MINUTE)	PLATEN SIZE (WxL) (INCHES)	PLATEN MATERIALS (1)	SLIP PLATE (2)	
3 x 21" BELT SANDERS	BOSCH	1274DVS	3 x 21	VS	550-1100	3 x 5 ⁷ / ₈	C	G
	DEWALT	DW431	3 x 21	VS	475-1100	3 x 4 ³ / ₄	C	C
	HITACHI	SB75	3 x 21	2	1180, 1475	4 ⁵ / ₈ x 4 ³ / ₄	C	RS
	MAKITA	9901	3 x 21	1	1246	3 ¹ / ₂ x 4 ¹ / ₄	F	C
		9900B	3 x 21	1	1300	3 ⁷ / ₈ x 4 ³ / ₄	SS	C
	METABO	0775	3 x 21	1	1300	3 x 4 ³ / ₄	C	G
	PORTER-CABLE	352VS	3 x 21	VS	850-1300	3 x 4 ⁷ / ₈	SS	C
	RYOBI	BE-321	3 x 21	VS	775-1148	3 x 5 ¹ / ₄	C	S
	SEARS	117131	3 x 21	1	1300	3 ¹ / ₂ x 4 ³ / ₈	SS	C
117120		3 x 21	1	1100	3 ¹ / ₂ x 4 ⁵ / ₈	SS	C	
3 x 24" BELT SANDERS	BOSCH	1275DVS	3 x 24	VS	1150-1550	3 x 6	CM	C
	MAKITA	9924DB	3 x 24	1	1300	3 ⁷ / ₈ x 6 ¹ / ₄	SS	C
	PORTER-CABLE	503	3 x 24	1	1500	3 x 5 ⁵ / ₈	C	C
360VS Whisper		3 x 24	VS	1000-1500	3 x 5 ¹ / ₂	C	C	

NOTES

- (CA) Cast aluminum
(CM) Cast magnesium
(FP) Formed plastic
(SS) Stamped steel
- (CS) Cork pad, steel plate
(G) Graphite pad
(RS) Rubber pad, steel plate
(S) Steel plate, no pad
- (T) Transverse
(IN) In-line
- (BB) Brass bushings
(NB) Needle bearings
(OP) Open ball bearings
(S) Sealed ball bearings
(SH) Shielded ball bearings
- (K) Twist knob
(L) Lever
(P) Push front roller
- E** Excellent
G Good
F Fair
P Poor
- E** Flat, even pattern
G Very slight crown in center
F Even pattern only half size of platen
P Cut groove at front edge of base. Performance can be improved to good or excellent with addition of graphite pad.
- E** Effortless to open and close
G Easy to open and close
F Difficult to open, snaps shut
P Must push on front roller

Which "beast" would we buy? Among the 3x21" models, we chose the Bosch 1274DVS among the sanders priced over \$150. Its large, flat platen, standard graphite slip plate, good handling, and a

WOOD-HUNGRY PORTABLE BELT SANDERS

	MOTOR POSITION (3)	AMPS	MOTOR BEARINGS (4)	LOWER DRIVE BEARINGS (4)	BELT RELEASE (5)	PERFORMANCE (6)							DUST CONTROL (12)	WEIGHT (POUNDS)	NOISE LEVEL (DECIBELS)	OPTIONAL ACCESSORIES (13)	COUNTRY OF ASSEMBLY (14)	SELLING PRICE (15)	COMMENTS
						EASE OF BELT RELEASE (7)	BELT TRACKING (8)	EDGE SANDING (9)	FLUSH CORNER SANDING (10)	HANDLING	POWER								
IN	6.6	S	S	L	E	G	E	E	G	E	G	G	7.1	98	F, H, HS, SF, VS	SW	\$170	Our top pick among the 3X21" sanders. Offers large sanding area in a compact, easy-to-handle package. Optional accessories enhance its functionality.	
T	5.2	S	S	L	G	G	G	E	G	F	G	E	7.6	96	SF, VS	I	190	Light in weight and produced flat finish. Good at edge sanding. Some testers felt handles placed too close together for comfort.	
T	8.7	SH	SH	L	P*	F	E	G	G	F	E	G	10.3	103	HS, SF	S	155	Good performance at a reasonable price.	
T	6.7	OP	OP	L	P*	F	F	G	G	P	G	G	7.5	100	F, HS, SF	J	170	Extremely light in weight. Ridges in slip plate produced uneven sanding pattern.	
T	7.8	S	S	L	P*	E	E	G	G	G	G	F	10.6	101	SF	J	180	Good performance, but stamped steel platen wasn't flat.	
IN	5.5	SH	SH	K	E	E	E	G	E	F	G	E	10.8	104	F, HS, SF, VS	G	250	Performed well, but handle seemed awkward. Not widely available.	
T	7.0	NB	S	L	P*	G	E	G	G	G	E	F	11.3	102	GP, H, VA	U	165	Solid, well-built sander.	
IN	6.0	S	S	L	P*	G	E	E	G	E	G	G	7.4	98	F, HS, SF	C	140	Similar to the Bosch 1274DVS. Handles well and represents an excellent value.	
T	7.5	BB	NB	L	P*	F	F	F	G	P	F	P	8.6	102	VA	U	65	Lacks many features on other models tested.	
T	4.7	BB	NB	P	F	P	P	F	P	P	F	P*	7.6	104		U	60	Lowest priced sander in test, but lacks dust collection.	
T	10.5	S	S	L	G	E	E	F	P	G	E	E	12.8	96	GP, H, HS, SF	U	220	Packed with features, it also has plenty of power and excellent dust collection.	
T	7.8	S	S	L	G	E	E	G	G	G	G	G	10.9	102	SF	J	185	Despite a stamped steel platen, this machine turned in good-to-excellent performance at a reasonable price.	
IN	9.0	S	S	L	P*	G	E	F	P	E	E	E	15.4	96	GP, H, VA	U	400	If you have the money, here's your machine. While too heavy for edge sanding, it's a joy to use and will last forever.	
T	12.0	S	S	L	P*	G	E	F	P	G	E	F	14.7	97	GP, H, VA	U	220	Another heavy-duty model from Porter-Cable. A graphite slip plate (available as an optional accessory) would make it an excellent performer.	

9. **E** Micro-adjust tracking, stays tracked
G Difficult to track, stays tracked
F Easy to track, wanders when sanding
P Difficult to track, wanders when sanding
10. Ability to edge sand on 3/4" stock.
11. **E** Sands flush, excellent visibility
G Sands flush, poor visibility
F Difficult to sand flush, good visibility
P Difficult to sand flush, poor visibility
12. * No dust bag
13. (F) Fence
(GP) Graphite slip plate
(H) Hose

- (HS) Horizontal stand
(SF) Sanding frame
(VA) Vacuum attachment
(VS) Vertical stand
14. (C) China
(G) Germany
(I) Italy
(J) Japan
(S) Singapore
(SW) Switzerland
(U) United States
15. Selling price based on catalogs and advertisements at time of article's production.

MANUFACTURERS' LISTING:

Bosch (S-B Power Tools) 800/815-8665	Metabo 800/638-2264
DeWalt 800/433-9258	Porter-Cable 800/487-8665
Hilachi 800/362-7297	Ryobi 800/525-2579
Makita 800/462-5482	Sears Call or visit your local Sears store.

host of accessories make it the best overall choice. The similar-looking Ryobi BE-321 was our pick among sanders under \$150.

Turning to the 3x24" machines, the Porter-Cable 503 belongs in a

class by itself in terms of both construction and cost. Buy this professional-quality machine if you want a machine you can use and then pass down to your great-grandchildren.

If you're not worried about a legacy, then consider the Bosch 1275DVS. Our choice among models priced \$200-\$250, it still will last even a serious home woodworker a lifetime. 🌲

Written by Kerry Gibson Technical consultant: Bob McFarlin Illustration: Roxanne LeMoine Photographs: Bill Hopkins Jr.

WILD

A snappy two-wheeler



We're not just guessing that preschoolers will love this high-style side-walk bike. We know it. We turned ours over to a group of 4½-year-olds for road testing, and had a hard time getting it back for photography.

The frame comes first

1 Cut stock for part A (we used pine) to the size shown in the Bill of Materials. Cut out the frame pattern (it's in the *WOOD PATTERNS*® insert in the middle of the magazine) along the rectangular outline. Adhere the pattern to the stock with spray adhesive.
2 Bandsaw the lower part of the frame, leaving the top edge of the stock straight.

3 Stand the partially cut part on its top edge on your drill-press table. Chuck a ½" bit in the drill press, and drill a hole through the front of the frame where shown. Center the hole side-to-side.

4 Finish bandsawing the frame. Drum-sand the curves smooth where necessary.

5 Transfer the start and stop points for the round-overs and the locations for the seat-screw pilot holes from the pattern to the edge of the part. Remove the pattern, then mark the round-over start and stop points on both faces of the frame. Mark the screw holes at the center of the piece.

6 Install a ⅜" round-over bit in your table-mounted router. Rout the round-overs on both sides of the frame.

7 Cut two blanks for the fender (B) to the size shown, and temporarily laminate them with double-faced tape.

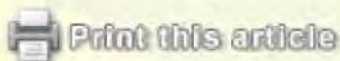
Cut out the pattern for the fender, and adhere it to the stacked blanks.

8 Bandsaw the stacked blanks, leaving the line. Sand to the line. (We sanded the outer edge with a disc sander, the inside one with a drum sander.)

9 Transfer the round-over stop point to the edge, remove the pattern, and mark the two outer faces of the stack. Rout the two outer faces as you did the frame, then separate the parts. (We pried them apart with a putty knife.)

10 Referring to the Exploded View drawing, glue the two parts to the frame, with the unrouted face of each against the frame.

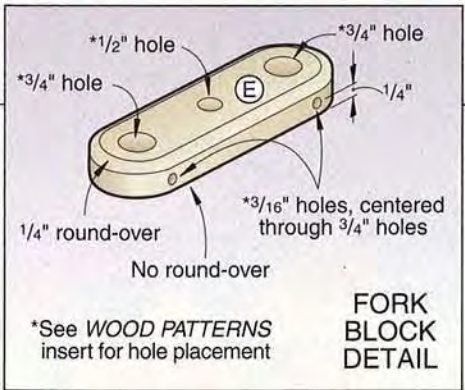
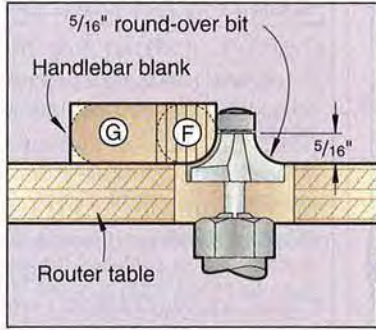
Continued on page 76



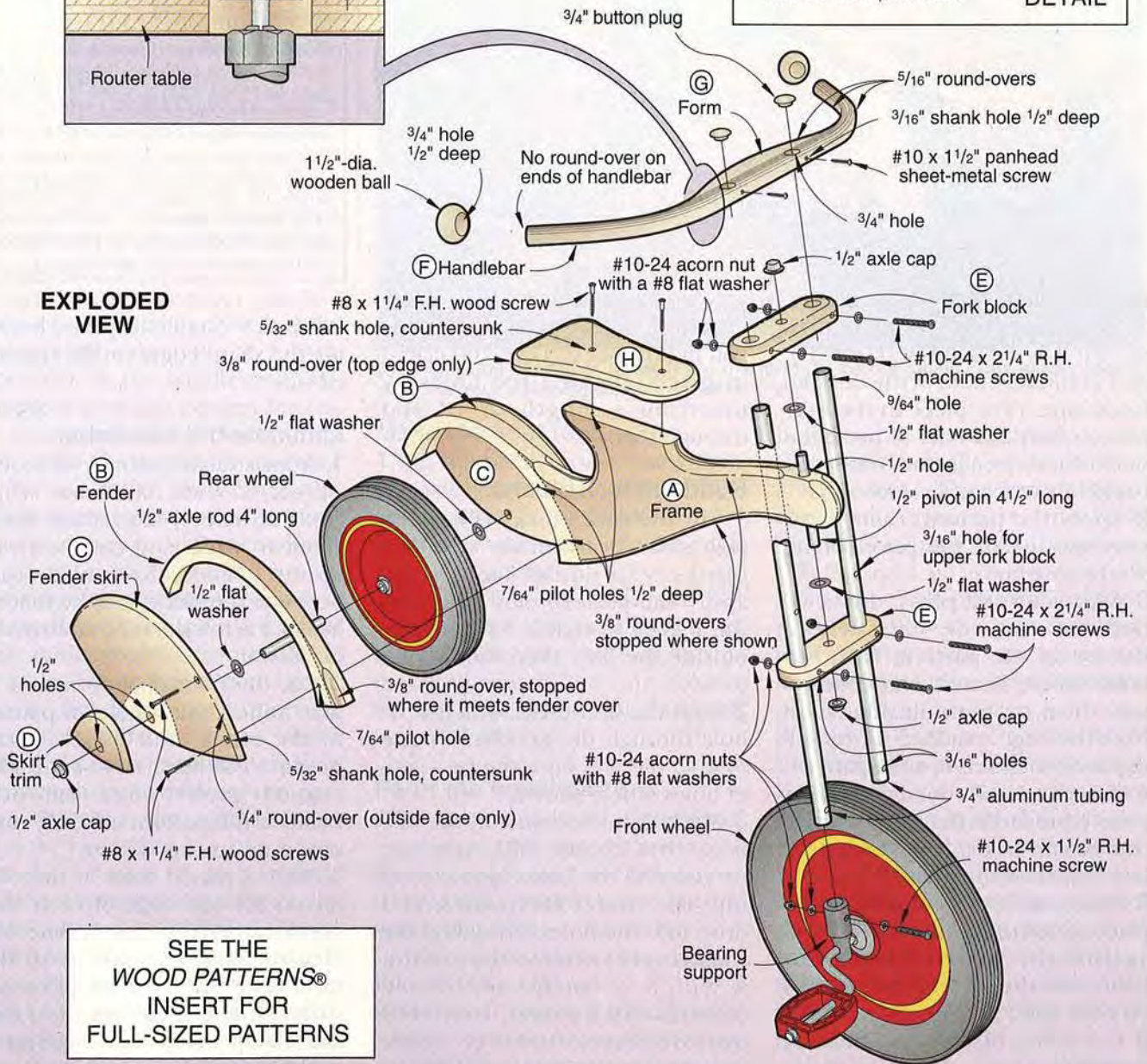
WHEELS

for kids on the move

HANDLEBAR ROUND-OVER DETAIL

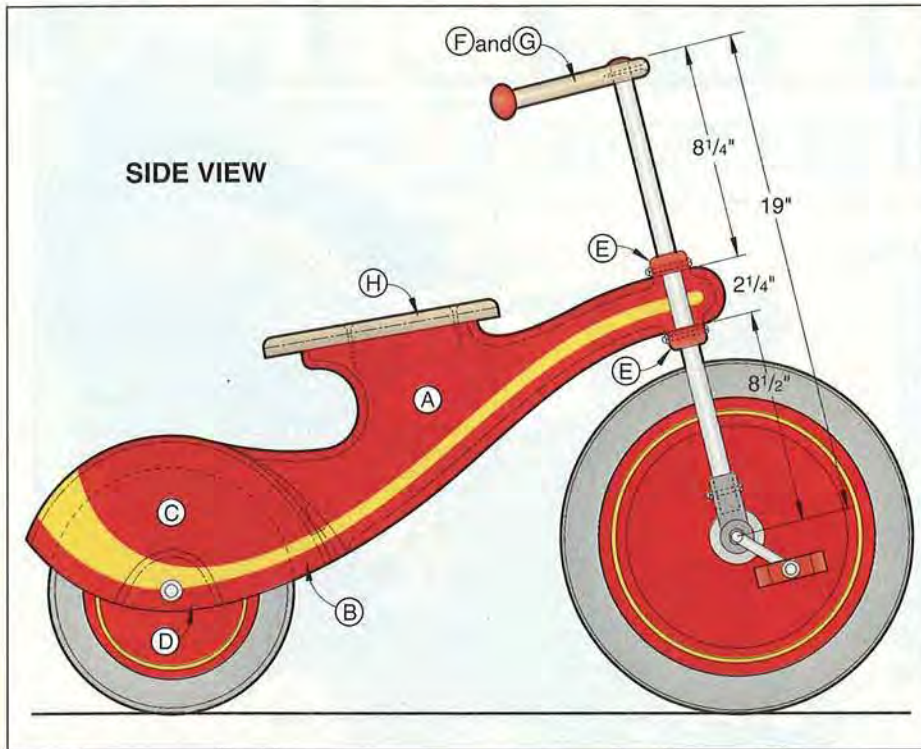


EXPLODED VIEW



SEE THE
WOOD PATTERNS®
INSERT FOR
FULL-SIZED PATTERNS

WILD WHEELS



Add the fender skirts

1 Cut three blanks to the size shown for the fender skirts (C), and laminate them with double-faced tape. (The piece in the middle acts only as a filler to make the stack thick enough for routing. It could be cut from scrapwood.)

2 Apply the pattern, then bandsaw just outside the pattern line. Sand to the line.

3 With your drill press, drill a $\frac{1}{2}$ " hole through the stack where shown on the pattern. Drill $\frac{5}{32}$ " holes where shown, and countersink them on both outside faces. Note the edge specified for rounding over, then remove the pattern.

4 Change to a $\frac{1}{4}$ " round-over bit in your table-mounted router. Rout the round-over on each outer face. Separate the parts.

5 Glue and clamp the skirts in place, putting the unrouted faces against the fender. Drill pilot holes, and drive in the two screws on each side.

6 Cut three blanks for the skirt trim (D). Again, the third piece

serves as a filler for routing. Stack, cut, drill, and rout the pieces as you did the skirts. Glue and clamp in place, aligning the holes by inserting a length of $\frac{1}{2}$ " rod through them.

Build the fork blocks

1 Cut the fork blocks (E) to the size shown. Laminate the two blanks with double-faced tape, apply the pattern, and bandsaw the pieces to shape. Saw slightly outside the line, then sand down to it.

2 With the drill press, drill the $\frac{1}{2}$ " hole through the middle. Change to a $\frac{3}{4}$ " bit, and bore the two larger holes where shown.

3 Mark the location for the $\frac{3}{16}$ " holes, but do not drill them yet. (If you drill the holes before routing, the router-bit bearing will drop into the holes, wrinkling the round-overs.) Remove the pattern.

4 With a $\frac{1}{4}$ " round-over bit and table-mounted router, rout both outside faces of the stack. Separate the parts, then drill the

Bill of Materials					
Part	Blank Size			Mati.	Qty.
	T	W	L		
A frame	1 $\frac{1}{16}$ "	9 $\frac{1}{4}$ "	30"	C	1
B fender	$\frac{3}{4}$ "	5 $\frac{1}{2}$ "	13"	C	2
C fender skirt	$\frac{1}{4}$ "	7 $\frac{1}{2}$ "	13"	MP	3
D skirt trim	$\frac{1}{4}$ "	3"	5"	MP	3
E fork block	$\frac{3}{4}$ "	2"	6 $\frac{1}{8}$ "	B	2
F handlebar strip	$\frac{3}{4}$ "	$\frac{1}{8}$ "	26"	B	6
G form	$\frac{3}{4}$ "	8"	21 $\frac{1}{4}$ "	B	1
H seat	$\frac{3}{4}$ "	5"	9 $\frac{5}{8}$ "	B	1

Cut blanks for parts to these sizes initially. Then, cut to finished size and shape in accordance with the how-to instructions.

Materials Key: B—birch, C—choice (clear pine or hardwood), MP—marine-grade plywood.

Supplies: Wheels (see Buying Guide), $\frac{3}{4}$ ×37" aluminum tubing; $\frac{1}{2}$ ×9" steel rod; four $\frac{1}{2}$ " axle caps; six #10-24 acorn nuts; two #10-24×1 $\frac{1}{2}$ " roundhead machine screws; four #10-24×2 $\frac{1}{4}$ " roundhead machine screws; two #10×1 $\frac{1}{2}$ " pan-head sheet-metal screws; 12 #8 flat washers; four $\frac{1}{2}$ " flat washers; six #8×1 $\frac{1}{4}$ " flathead wood screws; two 1 $\frac{1}{2}$ " wooden balls; two $\frac{3}{4}$ " button plugs; Scotch 471 tape— $\frac{1}{4}$ ", $\frac{1}{2}$ ", $\frac{3}{4}$ "; Krylon spray paint—no. 1301 clear acrylic, no. 1315 white, no. 1813 daisy yellow, no. 2108 banner red.

$\frac{3}{16}$ " holes. Sand the parts, breaking the sharp edges on the unrouted side.

Laminate the handlebar

1 From straight-grained $\frac{3}{4}$ " stock, rip six $\frac{1}{8}$ "-wide handlebar strips (F). For safety, start with stock about 6" wide, and cut the strips on the outside of the blade (not between the blade and the fence). Install a zero-clearance table insert for this.

2 Cut the handlebar form (G) to size. Adhere the handlebar pattern to the blank, and bandsaw the piece to shape. Disc-sand the curved front edge smooth. Remove the pattern carefully, and save it for use again later.

3 Draw a pencil mark at the center on the top edge of each handlebar strip (F) and on the top face of part G, adjacent to the front edge. Align the marks on the strips with the one on the form, and clamp the pieces together at the center.

4 Working out from the center, bend the strips down to the form, and clamp them without gluing, as shown *right*. Choose clamp types and positions that allow you to pull the lamination strips solidly together. Note your clamping setup, then undo it.

5 Now, spread glue on the front edge of the form (G) in the area shown on the pattern. Position the first strip (F) against the form, then glue on the remaining strips. Align the center marks, and clamp the center. Using the clamping setup from the dry-clamping exercise, pull the lamination to the form. Clamp overnight.

6 Unclamp the lamination. Scrape off any dried glue squeeze-out. Replace the pattern on part G, and bandsaw the inside curve to shape. Drum-sand the handlebar's inside curve, and disc-sand the outside one.

7 Mark the centers for the $\frac{3}{16}$ " holes on the middle of the handlebar's front edge. Place a fork block (E) on the handlebar, positioning it over the centers for the $\frac{3}{4}$ " holes. Adjust the block so its front edge lies flush with the front of the handlebar, then fasten the block in that position with double-faced tape. Using the fork block as a guide, bore two $\frac{3}{4}$ " holes through the handlebar.

8 Install a $\frac{3}{16}$ " round-over bit in your table-mounted router. Rout all edges of the handlebar, taking four or five light cuts to prevent tearout. Drill the $\frac{3}{16}$ " holes where shown. Cut the handlebar ends to the length indicated on the pattern. Remove the pattern, and sand the handlebar.

9 Bore a $\frac{3}{4}$ " hole $\frac{1}{2}$ " deep in each of two $1\frac{1}{2}$ " wooden balls. Grip each ball in a handscrew clamp, and bore the hole with a drill press. File or sand the handlebar ends to fit into the holes, if necessary. Sand the balls, but do not glue them to the handlebar ends.



Dry-clamp the handlebar strips (F) to the form (G) before gluing. This allows you to work out your clamping scheme ahead of time.

Make the seat next

1 Cut the blank for the seat (H) to the size shown. Adhere the full-sized pattern to the blank.

2 Bandsaw the seat. Sand the edge and faces smooth.

3 Drill and countersink the $\frac{5}{32}$ " holes where shown. Install a $\frac{3}{8}$ " round-over bit in your table-mounted router, and rout around the top edge of the seat. Sand the seat for finishing.

Paint the small parts

1 Fill the screw holes in the fender skirts. (We used Durham's Rock Hard Water Putty.) Once the filler dries, sand it flush. Finish-sand all parts. Ensure that the fender and skirts are flush. Remove all sanding dust.

2 Mask off the seat-attachment surface on the frame, the stems on two $\frac{3}{4}$ " button plugs, and the

holes in the handlebar-end balls. (We stuck the balls on the ends of a $\frac{3}{4}$ " dowel.) Then, prime-paint the frame assembly, the fork blocks, the balls, and the plugs. (We sprayed on Krylon no.1315 sandable, all-purpose white primer.) Allow the primer to dry thoroughly. Sand any rough or uneven spots, then apply another primer coat, if necessary.

3 Apply a durable clear finish to the handlebar and seat. (We used Krylon no. 1301 clear acrylic coating.) First, mask off the area on the bottom of the seat that mates with the frame and $\frac{3}{8}$ " at the handlebar ends. Also stuff paper into the $\frac{3}{4}$ " holes through the handlebar to keep finish out of them.

4 Paint the fork blocks, buttons, and balls red. (We applied Krylon no. 2108 banner red.)

Continued



A strip of $\frac{3}{4}$ "-wide masking tape establishes the reference line parallel to the edge of the frame. We used Scotch #471 tape for masking.



Place tape over the diamond cutouts in the pattern to affix it to the frame. The pattern serves as a guide for taping an outline of the stripe, so it cannot be taped down along the edge.

Give the bike a flashy finish

1 Now, paint the frame. Our method for painting the yellow-striped red frame begins with a coat of yellow over the entire frame. (We chose Krylon no. 1813 daisy yellow.) For easy painting, pass a dowel through the axle holes, and tie a rope or wire around it between the fender skirts to hang the frame. Allow this coat to dry at least 24 hours.

2 Mask off the area that will be the yellow stripe. Here's how:

- First, establish a reference line $\frac{3}{4}$ " up from and parallel to the bottom edge of the frame. To do so

easily, lay on a strip of $\frac{3}{4}$ "-wide masking tape flush with the edge, as shown *above left*. Instead of ordinary crepe-backed masking tape, we masked with Scotch no. 471 tape, bought from an automotive-paint supplier. Paint won't bleed under this masking tape, employed by auto painters for two-toning, so you'll get a crisp separation between the red body and yellow stripe. We used three tape widths in painting the bike— $\frac{1}{4}$ " (no. 06405), $\frac{1}{2}$ " (no. 06408), and $\frac{3}{4}$ " (no. 06409).

- Next, carefully cut out the stripe patterns (one on the frame pat-

tern, one on the skirt pattern). With a sharp knife, cut out the diamond windows in the patterns. Position the patterns on the bike, aligning the lower edge of the pattern with the top edge of the tape line. Fasten the pattern in place by pressing a piece of tape over each window, shown *above*.

- Then, tape around the patterns, shown *above right*, forming a guideline around the stripe. The $\frac{1}{4}$ " tape works well for this. Stretch it on the outside for a smooth curve as you follow the rounded end of the stripe. Connect the guidelines on the

Construct the front fork

1 Cut two 18 $\frac{1}{4}$ " lengths of $\frac{3}{4}$ " (actual outside diameter) aluminum tubing. (We bought ours at a homecenter.) A tubing cutter or hacksaw and miter box will help ensure square cuts. Remove any burrs left by cutting, and sand the tubes with 220-grit abrasive to give them a brushed look.

2 Measure the thickness of two $\frac{1}{2}$ " washers. Add 2 $\frac{1}{4}$ " to the measurement. Then, cut two pieces equal to that total length from $\frac{3}{4}$ " \times 2" scrapwood. These will serve as spacers when assembling the fork. Also cut three $\frac{3}{4}$ " \times 2 \times 7 $\frac{1}{2}$ " scrapwood pieces.

3 Place the two fork blocks on a flat surface, the screw holes facing up and the faces without round-overs together. Insert the two short spacers between the

blocks (see the photo *below*). Arrange the three longer pieces as shown, then clamp.

4 Slide the aluminum tubes through the holes in the fork blocks. Push them in until they



Place the short spacers between the fork blocks when assembling the fork. Push the tubes in until they contact the stop.

stop on the crosspiece at the bottom. Chuck a $\frac{3}{16}$ " bit in your portable drill, and drill through the tubes, guiding through the holes in the blocks.

5 Slip a #8 flat washer on a #10-24 \times 2 $\frac{1}{4}$ " roundhead machine screw. Insert the screw through the holes in the fork block and tube, and install a washer and acorn nut on the other end. Do this for all four holes.

6 Grip the front wheel assembly in a vise or handscrew clamp to stand it up. Fit the bottom ends of the fork tubes (the long ends) into the bearing supports on the wheel. Press them in until they bottom. Guiding through the holes in the bearing supports, drill $\frac{3}{16}$ " holes through the tubes. Remove the wheel after drilling the holes.



Tape around the pattern outline. Don't overlap the edge of the pattern while masking—you'll be removing it later.



After removing the pattern, mask the stripe area. Tape must not overlap the guide strips, as they will be removed.



With the stripe masked off, paint the entire frame red. Removing the tape will then reveal the yellow stripe.

frame with those on the skirt, using strips of tape. Once you have outlined the pattern on the frame and fender skirt, remove the patterns. Repeat the taping procedure on the other side of the bike. To affix the patterns, just peel the tape from the diamond windows, and put it on the other side. Once you have taped both sides, connect the guidelines across the fender to continue the stripe across the back.

• Lay $\frac{1}{4}$ " tape along the inside of the guidelines, in the area where the patterns were. Do not overlap this tape onto the guidelines—you

will be removing the taped guidelines later. Press the tape firmly into the corners (we used a putty knife), as shown *above*. Fill in the entire area inside the guidelines, then remove the guidelines, leaving a taped stripe.

3 Clean off any dust or bits of tape, and ensure that all the tape edges are stuck down firmly. Now, you're ready to paint the bike red, as shown *above right*. Spray on the banner red paint in a smooth, even coat. Cover the frame with one coat; building up coats forms a ridge along the edge of the stripe.

4 Allow the paint to dry, then carefully peel off the masking tape. You can lift a corner of the tape with a knife point to start, but be careful not to poke the point into the paint.

5 Dust off the surface. Spray on two coats of clear finish, following the can label's recommendation for time between coats. Clear-coat the wooden balls, the buttons, and the fork blocks, too.

6 Add accent stripes to the wheels, if desired. (We decorated ours with $\frac{1}{4}$ " yellow striping tape, also purchased from an automotive-paint dealer.)

7 Install the handlebar on the fork, with the acorn nuts pointing toward the rear. The tops of the tubes should be $\frac{3}{16}$ " below the top surface of the handlebar.

8 Guiding through the $\frac{3}{16}$ " holes in the handlebar, drill $\frac{9}{64}$ " holes through the tubes. Drive in #10 \times 1 $\frac{1}{2}$ " sheet-metal screws to secure the handlebar to the fork.

9 Glue the buttons into the holes atop the handlebar, then glue the balls to the ends. Clean off the dust, and clear-coat the assembly. Allow to dry overnight.

Assemble the bike

1 For the fork pivot pin, cut a 4 $\frac{1}{2}$ " length of $\frac{1}{2}$ " steel rod (we bought ours at a homecenter). Drive a $\frac{1}{2}$ " axle cap onto one end.

2 Clamp the bottom end of the fork tubes in your vise, then posi-

tion the front of the frame between the fork blocks. Slide the end of the steel rod into the hole in the bottom fork block. Place a $\frac{1}{2}$ " washer between the bottom of the frame and the top of the block, then push the rod on into the hole in the frame. Place another washer between the top of the frame and the upper fork block, and push the rod on through the upper fork block. Place an axle cap onto the top of the rod, then press it home with a handscrew clamp.

3 Cut a 4" length of $\frac{1}{2}$ " steel rod for the rear axle. Drive an axle cap on one end. Insert the rod through the axle hole on one side of the frame, through a $\frac{1}{2}$ " washer, the back wheel, another washer, and out the other frame hole. Press an axle cap on the end.

4 Insert the ends of the fork tubes into the axle supports on the front wheel. Fasten with #10-24 \times 1 $\frac{1}{2}$ " roundhead machine screws, #8 washers, and #10-24 acorn nuts.

5 Finally, spread some glue on the frame where the seat will attach. Position the seat, and drive in two #8 \times 1 $\frac{1}{4}$ " flathead wood screws. 🌲

Buying Guide

Wheels. Front wheel and bearing assembly (PW339R) and rear wheel (PW334R), \$80.30 ppd. in U.S. Angeles Group, 9 Capper Drive, Dailey Industrial Park, Pacific, MO 63069.

Lumber. Kit containing lumber and marine-grade plywood for one bike, kit W100, \$44.95 ppd. in U.S. Heritage Building Specialties, 205 N. Cascade, Fergus Falls, MN 56537, or call 800/524-4184.

The amazing evolution of WOODWORKING

In just a little over 100 years, we've gone

Machines began replacing individual handwork in the 19th century. In the new American factories, mechanical power—produced first by water, then steam, and finally electrici-

ty—took over from traditional muscle power.

It was a logical step to mechanize hand tools. At the turn of the century, powering them with electric current made sense.

But the first power tools were made for professionals—those who used them the most could best afford their price. However, the Great Depression made the public cost conscious, and reluc-

1895

In Germany, C.E. Fein invents the world's first electric hand drill. With a DC motor, it weighs 16.5 pounds and drills 3/16" into steel with its 1/2" bit.



1919

Syracuse, New York, patternmaker R.L. Carter founds the R.L. Carter Company to manufacture the first electric routers, a tool he invented by reworking a barber's clipper.



1923

Delta Specialty Company of Milwaukee, Wisconsin, offers a hand-operated, bench-top scrollsaw capable of small motorization.



1926

Porter-Cable introduces the world's first portable belt sander, "The Takeabout." Five years later, dust collection is added to the tool.



1929

Delta markets a combination jointer and tablesaw.

Stanley Tools enters the electric tool business.

Porter-Cable debuts a helical-gear circular saw.



1916

Black and Decker markets the first portable, 1/2" electric drill with pistol grip, trigger switch, and universal motor.



1922

Raymond E. DeWalt perfects the first radial-arm saw and forms a company to produce the DeWalt Wonder-Worker.



1924

In Chicago, the Michel Electric Handsaw Company builds the first portable electric circular handsaw. The worm-drive Skil Model E, 8"-blade, 1-hp. saw weighs 10 pounds, and sells for \$160. Two years later, its name becomes Skilsaw.

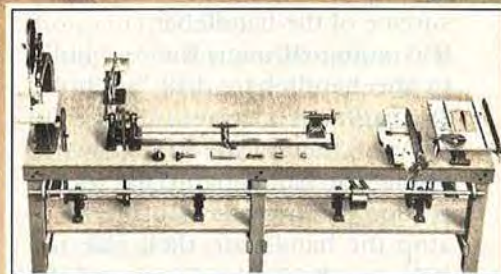
A.F. Seibert establishes Milwaukee Electric Tool and sells the Hole-Shooter, the industry's first lightweight, one-handed electric drill capable of heavy-duty workloads.

1928

Delta advertises the Handi-Shop, a combination 6" circular saw, lathe, disc sander, and scrollsaw.

Power tools appear for the first time in Sears Roebuck and Company's mail-order catalog.

Skilsaw Incorporated pioneers diecast aluminum motor housings.



POWER TOOLS

from water power to battery packs

tance to trade a day's meager pay for a carpenter's rate encouraged a trend to do-it-yourself.

The postwar building boom of the late 1940s and 1950s inspired manufacturers to refocus tool pro-

duction on the consumer, and more and more power tools became available at affordable prices. Today, there's hardly a household without some type of power tool. And what home

woodworker has only one to look to in the shop?

The development of power tools is a fascinating story. Like a chess game, it unfolds with the pieces as important as the players.

1931

Sears Roebuck and Company introduces its first Craftsman power tool catalog.

1936

Delta offers a ball-bearing, reversible wood shaper.

1937

Delta develops the first tilting-arbor tablesaw, the Unisaw.

1949

SkilSaw Incorporated enters consumer market with 6" circular saw, 1/4" drill, and for the first time begins distribution through hardware stores.

Milwaukee Electric Tool introduces the industry's first right-angle drill, allowing plumbers and electricians to work in tight quarters.



1930

Delta first markets a 12" bandsaw and combination lathe, routing, boring, and mortising machine.

1932

A.J. Dremel, a Racine, Wisconsin, engineer and inventor, launches the Dremel Manufacturing Company to sell his electric Moto-Tool to wood-working hobbyists.

1942

Black and Decker uses plastic for the first time in portable drill housings.

1946

Black and Decker introduces the first portable electric drill made for do-it-yourselfers, the Home Utility line.

German Albert Kaufmann equips his wife's sewing machine with a saw blade to cut curves, and invents the jigsaw.

Hans Goldschmidt of Dayton, Ohio, invents a combination woodworking machine that becomes the Shopsmith.

Continued

EVOLUTION OF WOODWORKING POWER TOOLS

1950

Porter-Cable first offers its Model 100 router, a portable power tool still in production.



1953

Black and Decker produces the first finishing sander and jigsaws for the consumer market.

1956

Porter-Cable introduces first portable reciprocating saw with orbital blade.



1957

Black and Decker unveils first heavy-duty routers.

Swiss cabinetmaker Herman Steiner patents the world's first plate (biscuit) joiner and forms the Steiner-Lamello company.

Skil debuts portable oscillating sander, router, and jigsaw.



1961

Black and Decker introduces world's first cordless drill, powered by self-contained, nickel-cadmium batteries.



1963

Sears Craftsman adds the silicon-controlled rectifier on the switch of its 3/8" drill, allowing it to operate at different speeds without losing power.

Porter-Cable patents their first high-speed, small-orbit finishing sander. (The Sterling sander was first offered by them in 1949.)

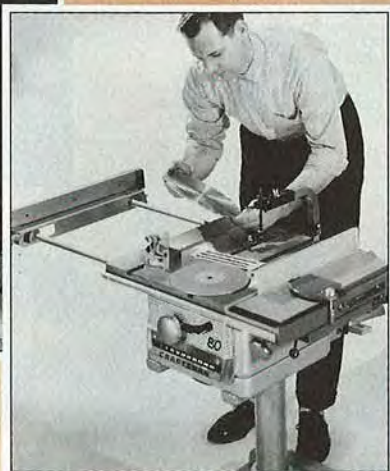


1951

Milwaukee Electric Tool presents the first portable electric reciprocating saw, still referred to as the Sawzall.

1955

Skil perfects method of brazing carbide tungsten to metal.



1959

Sears Craftsman offers the 5-in-1 Power Workshop: 8" benchsaw, disc sander, sabresaw, and jointer-planer in one unit.

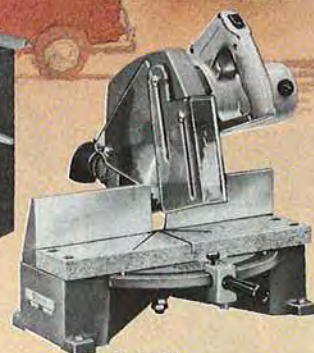
1962

Skil markets the first double-insulated electric tool in U.S., the Model 1706 Roto Hammer for professionals. Also develops, patents, and produces the first variable-speed drill with a trigger speed-control switch.



1966

Black and Decker debuts the new DeWalt line of industrial radial-arm saws.



1967

Rockwell produces the world's first motorized miter box, a 9" model.

1974

Milwaukee Electric Tool presents the first 1/2" professional pistol drill.

1978

Advanced Machinery Imports offers Hegner's West German-designed parallel-arm, walking-beam scrollsaw to the U.S. and stimulates resurgence of scrollsawing.



1980

The Stanley Works sells its portable power tool division to Robert Bosch Company.

1983

Sears Craftsman introduces three portable electric tools—a drill, jigsaw, and sander driven by the same interchangeable power pack.

Makita offers the first easily transportable, high-performance, benchtop tablesaw.



1987

Makita launches major cordless power tool campaign offering 15 different 7.2-volt tools that share the same battery pack.

1985

Delta International introduces benchtop tools and the C-arm electronic variable-speed scrollsaw.



1992

DeWalt comes out with full line of professional-quality portable power tools.

Porter-Cable markets first palm-grip orbital sander.

1995

Porter-Cable produces the first sander developed specifically for sanding profiles, moldings, and odd angles.



The Eagle... Precision Scroll Saw

Built by American Craftsmen to set World Standards of Quality and Performance.



UNION-MADE QUALITY...
The Eagle Scroll Saw is designed to set the standard for quality in the scroll saw industry. The high performance, low cost design is a result of the precision and care of the craftsmen who built it.

POWER SOURCE...
The Eagle Scroll Saw is designed to run on standard household 115V AC power. It is also available in a 230V AC model for use in other countries.

FOR MORE INFORMATION...
Call for details on all our products and services. We'll be glad to help you.

EAGLE MODEL 220 PRECISION SCROLL SAW
MADE IN U.S.A.

DI Industries, Inc.
107 West Main Street • P.O. Box 1000 • Portland, ME 04101

1982

R.B. Industries first markets its American-made, constant-tension, C-frame scrollsaw, called the Eagle.

Working in his garage shop, Michigan patternmaker and inventor Jim Clayton creates the first oscillating spindle sander for the home wood shop.

1984

Black and Decker begins selling its first cordless professional jigsaw.



1986

Performax Products, Incorporated introduces pro-style drum sander for the home shop that adapts to a radial-arm saw.

Sears Craftsman brings out the industry's first electric drill with a keyless chuck.

Ryobi debuts the first portable planer, the AP-10.

Porter-Cable offers micro-technology and digital readout in 3-hp. router for controlling speed to match work.

1988

Black and Decker advances cordless technology with the introduction of Univolt Universal Voltage Charger System featuring interchangeable energy packs.

1993

Fein markets the first triangle-head electric sander.

Sears Craftsman reintroduces a 1952-design benchtop radial drill press with 360° head rotation.

1997

Powermatic debuts its special 2-hp. lathe designed with the input of professional woodturner Rude Osolnik.

Editor's note: The information contained in this power tool time line was gathered with the aid of cooperating manufacturers as well as independent research. Space limitations prevent all-inclusive information. Historical reader input would be appreciated. ♣

Written by Peter J. Stephano Photographs and advertisements courtesy of the manufacturers Illustrations: Brian Jenson

**WOOD®
CLASSIFIED MART**
For rates: 1-800/424-3090 Fax 312/464-0512

BUSINESS OPPORTUNITIES

BUNK BEDS. Clear \$300/day making Bunk Beds. Start at home in your spare time. Low startup cost. 1-800/382-3180, ext 1133.

FINISHING/RESTORATION

LINE BOXES EASILY. Spray-on suede, 31 colors. Free Brochure. DonJer Products, Ilene Court-Bldg. 8W, Bellemead, NJ 08502. 1-800/336-6537.

GLASS SHELVES

ELEGANT GLASS SHELVES for home interior projects. Sizes 12"x24.30, 36, 48" in 1/2" or 3/8" thick clear glass. Beautiful flat polish all sides. Write for order form & pricing to MT Shelves, PO Box 11368, Tacoma, WA 98411-0368.

HELP WANTED

EASY WORK! EXCELLENT PAY! Assemble Products at Home. Call Toll Free 1-800-467-5566 EXT. 11856.

HARDWOODS/LUMBER

HENDERSONVILLE HARDWOODS OF NC! 25 years lumber expertise. Family management team emphasizes top quality Appalachian Hardwoods/Softwoods, professional service, best prices. Small UPS specials, or large carrier orders. Send for our brochure: Hendersonville Hardwoods, PO Box 268, Hendersonville, NC 28793. For information call: 704/697-2929.

MUSIC/SUPPLIES

PLANS, KITS, SUPPLIES for musical instruments: harps, dulcimers, psalteries, banjos, guitars, more. Musicmaker's Kits, Dept. B97, PO Box 2117, Stillwater, MN 55082. 612/439-9120.

PLANS/KITS/PATTERNS

HEXAGON TANK TERRARIUM! COMPLETE, EASY-TO-FOLLOW, PROFESSIONAL PLAN. Beautiful Fine Furniture Quality! Bill of materials and exploded drawings assist the woodworker. Send \$14.95 to: Media*Link, c/o Michael Arman, Dept. A45, 1208 Logan Ave., Lafayette, IN 47905.

SECRET HIDING PLACE NIGHTSTAND! Unique and easy to make. Send \$10.00 each plan: KJQ, PO Box 91048, Henderson, NV 89009.

BEAUTIFUL CEDAR CHEST KITS! Assemble for fun or profit. Solid Cedar. Brochure \$1.00: TCWS, 52550 CSAH 16, Grove City, MN 56243.

BIRDHOUSES. Catalog of kits and plans for 40 different species. Maps identify local varieties. Send \$5.00: **Creative Dimensions, Box 183204, Shelby Twp., MI 48318-3204.**

DOLL FURNITURE/PLANS! Send \$2.00 for brochure (refundable on first order). Ham-Me-Down Doll Furniture, PO Box 1228, LaPorte, CO 80535.

SAWMILLS

CALL SAWMILL EXCHANGE to buy/sell used portable sawmills (Wood-Mizer, TimberKing, etc.). Also, "Portable Sawmill Encyclopedia", only \$14.95! 205/969-3963, <http://www.sawmill-exchange.com>

TOOLS/EQUIPMENT

CUSTOM BRANDING IRONS as low as \$56.25! You're proud of your work; identify it. Any design, logo, signature. VISA/MC. Brochure \$1.00: **BrandNew** 1-800/964-8251.

DRY YOUR OWN LUMBER. Ebac's user friendly dry kilns 200BF-40,000BF. Mix species in same load. Great 3-year warranty. Over 6000 systems worldwide. Call Today. 1-800/433-9011.

BAND SAW BLADES: Low tension Swedish Silicon Steel "TIMBERWOLF" bands. 1/16" thru 1 1/4". FREE CATALOG 1-800/234-7297. Email: timberwolf2@worldnet.att.net HOME PAGE: timberwolf1.com

FATIGUE MATS SAVE BACKS!! Workshop comfort, drainage, safety! Recycled tires, handmade, indestructible! Classic roll-up design, easy clean! 800/722-7468 ext. 1071 mess.

WOODTURNING

NEWSPAPER FOR TURNERS, monthly, \$30.00/year, \$3.75/Sample, Visa/MasterCard accepted. MORE WOODTURNING, 950 South Falcon, Camano Island, WA 98292.

**ATTENTION
CLASSIFIED ADVERTISERS**

Now you can reach over 1,100,000 responsive woodworkers and do-it-yourselfers in the **WOOD® Classified Mart** section.

The next closing date is **August 25, 1997** for the December 1997 issue.

For rates and information call:

1-800/424-3090 • Fax: 312/464-0512

or write

WOOD® Classified Mart

500 N. Michigan Avenue • Suite 2010
Chicago, IL 60611

**How you can get involved in the
WOODWORKING HALL OF FAME™**

To be considered for induction into **WOOD® Magazine's Woodworking Hall of Fame**, nominees must:

- Have made (need not be living) or be making a significant impact in the North American woodworking field through one (or more) of the following areas: design, craftsmanship, education, research, product development, and public service.
- Have made or be making their contribution(s) in the 20th century.

To submit a candidate for nomination, please include a short biography of the person and a statement regarding his/her accomplishments and impact on woodworking. Send submissions to **WOOD Magazine's Woodworking Hall of Fame**, 1912 Grand Ave., Des Moines, IA 50309-3379. Receipt cannot be acknowledged. A selection committee will select the nominees and vote in each year's inductees. Names will be announced in the October issue.

**Find out more about our
Hall of Fame members**

- Visit Grey Towers, the former family home of forester **Gifford Pinchot** at Milford, Pennsylvania. The USDA Forest Service maintains the estate as a national historic landmark open to the public from April through November.
- If you're in the vicinity, view **Rude Osolnik's** work in the collections of Arrowmont School of Arts and Crafts at Gatlinburg, Tennessee; the Smithsonian Museum's Renwick Gallery in Washington, D.C.; Chicago's



Museum of Science and Industry; and the High Museum of Art in Atlanta. Rude's studio is in the hills outside Berea, Kentucky

- See **Judy Gale Roberts'** largest intarsia panel to date (14x20') at Dow

Chemical's Oyster Creek, Texas, office, and other pieces at her working studio in Sevierville, Tennessee, near Gatlinburg.

- You'll find **Wharton Esherick's** furniture and sculpture in the collections of New York City's Metropolitan Museum of Art, the Philadelphia Museum of Art, and the Whitney Museum of American Art in New York City. You can see his hand-crafted home and studio at The Wharton Esherick Museum, in rural Malvern (near Valley Forge), Pennsylvania, open to the public Saturday and Sunday from March through December.
- You'll view many items from **Frank Knox's** legacy of ornamental turnings at the Wood Turning Center in Philadelphia.
- Marvel at **Silas Kopf's** unparalleled artistry in wood in the permanent collections of the Yale University Art Gallery and the Springfield, Massachusetts Museum of Fine Arts. Silas lives and works in Northampton, Massachusetts, but teaches at workshops and seminars around the nation.
- See the beautiful decorative decoys done by **Lem and Steve Ward** in the public displays of the Ward Foundation Museum in Salisbury, Maryland; the American Folk Art Museum in New York City; Birmingham, Alabama's Museum of Art; and the Shelburne Museum, in Burlington, Vermont. ♣

100% SATISFACTION GUARANTEED!
*** FREE SHIPPING!**
FOR ALL ITEMS SHOWN BELOW!

HARBOR FREIGHT TOOLS



Visit Our Web Site

<http://www.harborfreight.com>

CHICAGO Electric Power Tools

3-1/4" PLANER

- Front base has a V-groove to help guide in chamfering
- Depth adjustment knob
- Includes rabbeting guide plate/fence, sharpening holder, blade setting jig, replacement brushes, and replacement belt
- 6-1/4 lbs. tool wt.
- 1/10" maximum depth of cut; 3-1/4" planing width
- 2 blade cutter
- D-handle with lock-on button
- 110V, 5 amps, 17,000 RPM
- 34,000 cuts per minute

~~\$53.99~~ **\$39.99**

ITEM 32222-3VEA

2 PC. REPLACEMENT BLADES

ITEM 33262-0VEA

\$9.99

CENTRAL MACHINERY

LOWEST PRICE WE'VE EVER OFFERED!

16" SCROLL SAW

- Precision milled 14-1/2" x 8" table tilts 0° to 45°
- 7/8" blade stroke
- Uses pin end blades, 5-1/2" long
- Heavy duty cast iron frame and base reduce vibration
- 1/8 HP, 110V, .83 amps
- 1750 SPM blade speed

~~\$69.99~~ **\$54.99**

ITEM 34618-5VEA

5 PC. 5-1/2" SAW BLADES

• Pin end type

ITEM 35024-0VEA

\$4.99



RADIAL ARM SAW KIT

The performance of a radial saw at a fraction of the cost. Award-winning patented design features easy setup with most 7-1/4" and 7-1/2" circular saws. Makes fast accurate bevels, rips, miters, and crosscuts. Ruggedly built and completely portable.

- Saw and table wood not included
- Maximum miter & bevel: 45°; Crosscut: 12-3/4"; Length: 24"; Rip capacity: 15-3/4"; Height: 22"; Weight: 23 lbs.

~~\$59.99~~ **\$49.99**

ITEM 33576-1VEA

DEWALT

DeWalt DW421

WHILE THEY LAST!



RANDOM ORBITAL SANDER

Controlled Finishing System keeps pad rotation at a controlled speed whether on or off your work. This gives you better and quicker finishes while channeling dust into the collection canister.

- 2 amp motor
- 360° shroud allows sanding in tight areas
- Porous rigid dust collection canister
- 100% ball bearing construction
- Removable top cap for easy service
- Factory reconditioned, factory perfect

ITEM 51532-0VEA

\$49.99

CHICAGO Electric Power Tools INDUSTRIAL

0 TO 340 AND 0 TO 1200 RPM!



14.4V 3/8" CORDLESS DRILL KIT

W/ KEYLESS CHUCK

- Dual speed ranges, 0 to 340 and 0 to 1200 RPM reversible
- 16 torque settings
- Includes 6 pc. drill bit set, 6 pc. screwdriver bit set, magnetic extension bit, 1 hour quick charger, battery with power indicator, and carrying case

~~\$89.99~~ **\$72.99**

ITEM 35991-3VEA

14.4V BATTERY

ITEM 35992-0VEA

\$34.99

DRILL MASTER

SAVE UP TO 25%



TIN COATED FORSTNER BIT SETS

Titanium nitride runs cooler, cuts easier, and lasts longer than standard steel! Includes 3/8" shanks and individually organized wooden case. Rockwell hardness range from 55-65 HRC.

20 PC. SET

- 20 sizes from 1/4" to 3/4" by 16ths, 7/8", 15/16", 1" to 2" by 8ths

~~\$39.99~~ **\$34.99**

ITEM 31130-7VEA

16 PC. SET

- 16 sizes from 1/4" to 2-1/8" by 8ths

~~\$29.99~~ **\$29.99**

ITEM 32404-8VEA

LIMITED QUANTITIES



PORTABLE CLAMPING WORK TABLE

Four swivel pegs adjust to handle a wide variety of clamping jobs. Folds compactly away for easy storage. All steel construction with non-skid feet.

- Supports up to 220 lbs.
- 24" wide top
- Non-skid feet

~~\$39.99~~ **\$24.99**

ITEM 34179-5VEA

CEN-TECH

SLASHED 42%



30 FT. x 1" TAPE MEASURE

Graduated in 16ths, inches and feet. Stud markings every 16 inches.

~~\$6.99~~ **\$3.99**

ITEM 30420-2VEA

8-1/8" BENCH HOLDFAST

1/2 OFF!



Drill a 5/8" hole in any wood topped work bench and install the holdfast. Acts as a clamp without being rigid. 8-1/8" L x 5/8" diameter.

ITEM 34437-2VEA

\$1.99

CENTRAL MACHINERY

HEAVY DUTY CAST IRON BASE



COMBINATION 4" x 36" BELT AND 6" DISC SANDER

Save space and money when you buy this two-in-one sanding tool with table. 1/2 HP, 115V, 3 amp, 3535 RPM; belt drive motor. Table dimensions: 7-1/2" x 5"; Belt table tilts from 0°-45°. Disc table comes with miter gauge; Equipped with 1-1/4" dust chute attachment.

~~\$94.99~~ **\$79.99**

ITEM 30837-7VEA

SLASHED UP TO 46%

HOLE SAW SET

Cut smooth, clean, accurate holes through wood, drywall, or even plaster up to 1" thick! Ideal for plumbers and electricians.

11 PC. HOLE SAW SET

Includes 8 tool steel cups sized 3/4", 7/8", 1", 1-1/4", 1-1/2", 1-3/4", 2", and 2-1/2", plus 1/4" and 3/8" mandrels, a 1/4" bit, a hex wrench, and a blow mold case.

~~\$7.99~~ **\$7.99**

ITEM 01263-1VEA

10 PC. LARGE HOLE SAW KIT

Includes cutting cup sizes 2-1/2", 3", 3-1/2", 4", and 5", plus 3/8" mandrell, drive plate, hex wrench, and blow mold case.

~~\$8.99~~ **\$8.99**

ITEM 36222-2VEA

15 PC. TUNGSTEN CARBIDE TIPPED ROUTER BIT SET

With long life tungsten carbide tips and the most used routing shapes, this is the set all serious woodworkers need. Ground to ultra close tolerances for the best finish available. Includes individually organized storage case.

- 1/4" shanks
- Includes: 1-1/4" rabbeting, 1-3/8" cove, 1-1/16" roman ogee, 1-1/4" rounding over, 1/2" flush trimming, 1-3/16" 45H chamfer, 1/2" dovetail, 3/4" straight, 1/2" straight, 3/8" V-groove, 1/4" combination panel, 1/4" straight, 1/2" mortising, 1/4" self piloting flush trim, 3/16" self-piloting, bevel trim
- Includes pilot bearing

~~\$49.99~~ **\$39.99**

ITEM 31164-9VEA

CENTRAL MACHINERY



DOVETAIL MACHINE

Create strong, fine looking dovetail joints. Just place stock and pull cam handles to positively lock material in place. Allows cutting tails, pins, half blind, and standard dovetails. Accepts stock up to 12" wide and 1-1/4" thick. Includes 1/2" template.

~~\$52.99~~ **\$39.99**

ITEM 34102-8VEA

* Within the 48 States / \$2.95 handling on all orders

Call To Order or Ask for Free Catalog:
 Order 24 Hours a Day/7 Days a Week
 Most Phone Orders Shipped in 48 Hours



FAX TOLL FREE: 1-800-905-5220

1-800-423-2567

CHARGE IT!



Or Send Check or Money Order to: Harbor Freight Tools, 3491 Mission Oaks Blvd. Box 6010, Camarillo, CA 93011

Unlocking the mystery of the lock miter bit

I recently purchased one of the lock miter bits you discussed in the February 1996 issue. However, the shape of the bit presents a few unique problems. First, the bit height and the fence position must remain fixed, making multiple passes difficult. Second, I need to hold the workpiece stable during vertical end cuts. Is there a jig, or a pair of jigs, that would help with the horizontal and vertical end cuts?

—David Swick, Accokeek, Md.

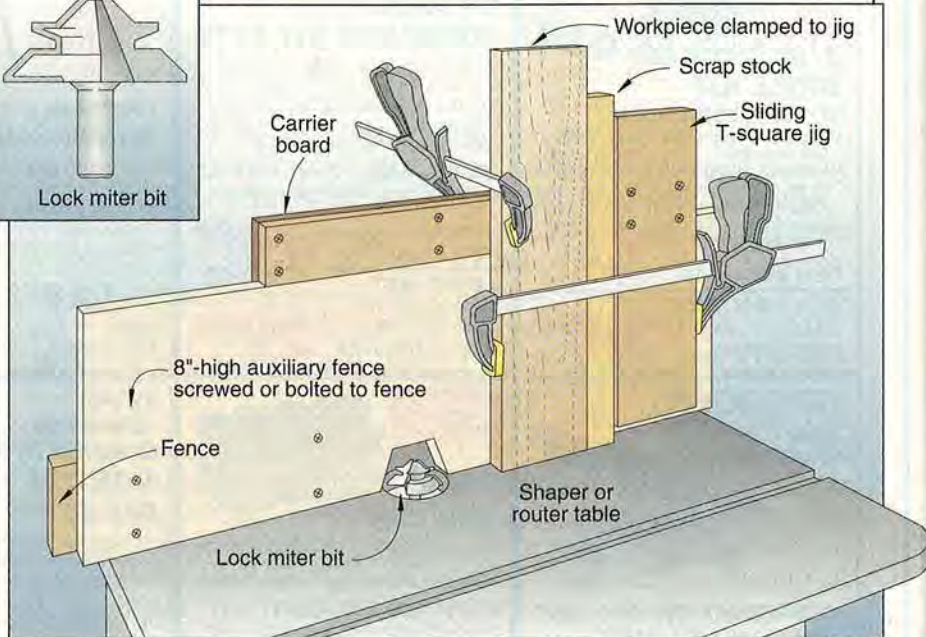
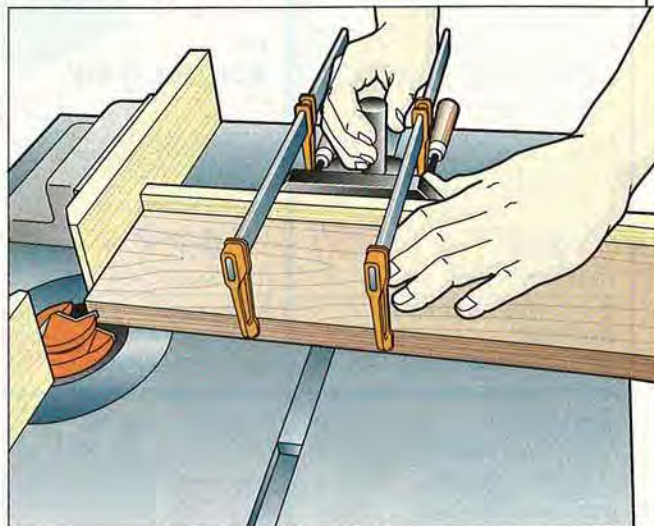
David, we agree that it's a good idea to make multiple passes with large bits like the lock miter bit. You can make multiple passes for horizontal cuts with a miter gauge and extension (see illustration at *right*). Instead of moving the fence, simply move the workpiece toward the fence in increments.

To make vertical end cuts, the auxiliary fence and sliding T-square jig (shown *below*) will help you confidently make accurate, multiple-pass cuts. The auxiliary fence adds height to the original fence, providing a more stable surface for vertical end or edge cuts. It also provides a rail on which the T-square jig can ride, and keeps the workpiece from dropping into the bit opening.

First, make the auxiliary fence at least 8" high and as long as the table. Next, cut an opening for the bit. Then, screw or bolt the auxiliary fence to the existing fence, countersink the heads, and check the fence for square with the table. Finally, construct the sliding T-square jig (see illustration on *page 88*) to stabilize the workpiece for vertical end cuts.

To make multiple passes in a vertical cut without adjusting the fence, use spacers between the carrier board and the workpiece. For instance, to make the joint for $\frac{3}{4}$ " material in three passes, use a $\frac{3}{8}$ "-thick spacer for the first pass, $\frac{1}{8}$ " for the second, and none for the last.

Our project builder, Chuck Hedlund, also suggests that when working with the lock miter bit, you hang onto sample pieces of both horizontal and vertical cuts. Saving the samples will help you adjust the fence and bit height the next time you work with your lock miter bit.



Have a question for our woodworking experts?

No matter how simple or perplexing your woodworking problem, we would love to hear from you. We'll do our level best to solve your mystery, and you might even

find your question and our reply on this page.

You can write to us at: Ask WOOD®, 1912 Grand Ave., Des Moines, IA 50309-3379.

Send e-mail to: woodmail@wood-magazine.com

Or, visit our internet page and join one of our discussion groups at: <http://woodmagazine.com>

Continued on page 88

The hottest woodworking projects...Humidors

The Woodworkers' Store
EXCLUSIVE
THE HUMIDOR COLLECTION



We'll get you started on your humidor with our step-by-step plans, and help you add the finishing touches with our complete hardware kits including hard-to-find hardware like hygrometers, brass inlays, regulators, specialty hinges — everything...including a beautiful selection of domestic and exotic woods! Ask about our Spanish Cedar.



Call for a **FREE** catalog today!

Hardware, Wood, Tools & Know How

The Woodworkers' Store

Home of the Woodworkers' Club of America

Department 98005

Call today at 1-800-403-9736

NEW Wood Turning Accessories* from HUT® Products

YOUR EVERY PEN TURNING NEED!

Full
1/2 HP
DC Motor



- * OPTIONAL ACCESSORIES!
- * Pen drilling jig
- * In-board tool rest
- * Carriage tool rest
- * Out-board tool rest

American made

70 - 3000 RPM
Electronic Speed Control
Uses a versatile #1 MT.
No awkward collets.

Sherline Model 4000A
Mini Machinist Lathe

FREE \$50 worth of quality HUT merchandise when you buy either package. Offer good for a limited time.

SHERLINE: America's #1 Pen Turning Lathe

PACKAGE ONE: \$455.
Lathe with live center, carbide cutting tool, rocker tool post, and our PEN TURNING MANUAL.

PACKAGE TWO: \$540.
Everything in package one plus a Jacobs drill chuck and a 3-jawed chuck. **A \$40 SAVINGS!**

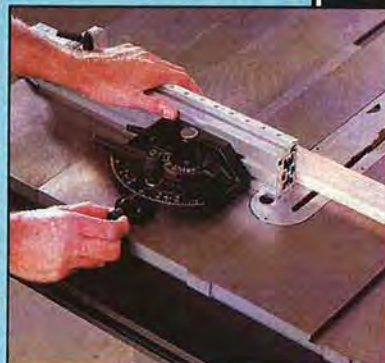
INCLUDES U.S. GROUND SHIPPING

FREE CATALOG 1-800-684-9371

Circle No. 965

"All my tools should be this good!"

The **Accu-Miter®** is a professional miter gauge that makes perfect angles easily. Shot-pin action assures dead-on accuracy for common angles — plus a precise protractor scale for everything in between!



We do not recommend operating without the saw blade guard, as is shown here.
US Patent #5,038,486

Optional accessories:
manual clamp—
pneumatic clamp—
3/8" x 3/4" miter bar—

**JDS
COMPANY**

Call or write for our free brochure.

Precision Woodworking Equipment

800 Dutch Square Blvd., Suite 200, Columbia, SC 29210
1-800-382-2637 / SC 803-798-1600

\$149

ASK WOOD

Continued from page 86

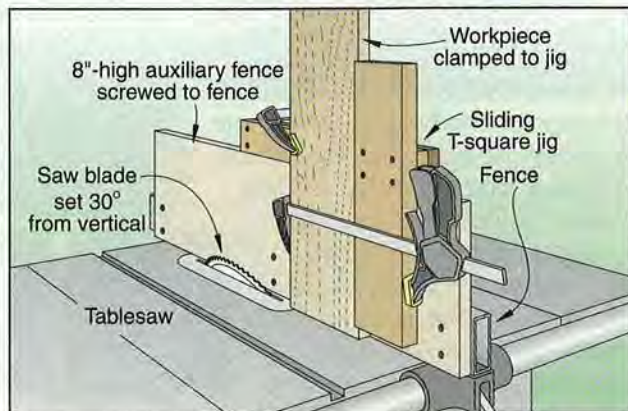
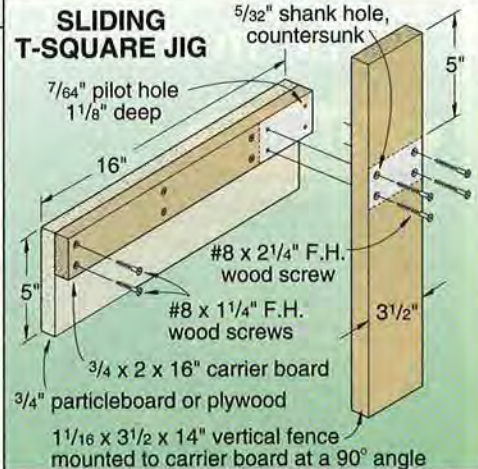
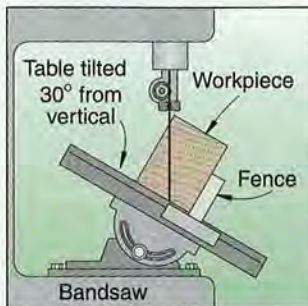
But my saw just won't do it

Several projects I've attempted call for a 60° cut, but my tablesaw and bandsaw only go to 45°. Do you know of a technique that will help me?

—Ron Guidici, ronaldgg@airmail.net

With the help of fences, Ron, both your tablesaw and bandsaw can make cuts greater than 45° if you go to a vertical cut. To provide a stable surface for the vertical cut, construct an auxiliary fence like the one right. Make the fence 8" high and at least as long as your rip fence. Check for square between the fence and the table. For short cuts on workpiece ends, simply clamp the auxiliary fence to your existing rip fence and put the sliding T-square jig and work. For longer cuts, secure the fence with countersunk screws.

To calculate your setting for a cut greater than 45°, subtract the cut angle from 90° to determine where to set the blade (tablesaw) or the table (bandsaw). In your case, 90 minus 60 equals 30. To make the 60° vertical cut on your tablesaw, set the blade at 30°. To make the cut on your bandsaw, tilt the table 30°. In either case, the result will be a 60° cut.



Continued on page 90

BOSCH			
1275DVS	3" X 24" VS DUSTLESS BELT SANDER	214	
1276DVS	4" X 24" VS DUSTLESS BELT SANDER	218	
1584VS	CLIC BARREL HANDLE JIG SAW, VS	142	
1584VSW	1584VS JIG SAW W/CASE & 10 BLADES	159	
1587VS	TOP HANDLE JIG SAW, VAR SP	142	
1587VSW	1587VS JIG SAW W/CASE & 10 BLADES	159	
1613EVS	2 HP VAR SP PLUNGE ROUTER	198	
1613EVSK	1613EVS 2WR1051 DELUXE EDGE GUIDE	208	
3310K	12V CDRLS W/ HANDLE W/2 BAT. CS & CHRGT74		
3610K	14.4V CDRLS DRILL KIT W/2 BATTERIES	194	
3725DVS	5" DUSTLESS VS RANDOM ORBIT SANDER	148	
3727DVS	6" DUSTLESS VS RANDOM ORBIT SANDER	154	
3815	10" SLIDE COMPOUND MITER SAW	578	

SKIL			
HD1605-02	BISCUIT JOINER KIT	134	
HD3400	10" TABLE SAW W/CARBIDE BLADE & STAND	198	
HD77	7 1/4" WORM DRIVE CIRCULAR SAW	159	

Jorgensen			
ITEM	JAW LENGTH	OPEN CAP	OUR PRICE EACH BOX OF 6
STYLE 37 2 1/2" THROAT 1/4" X 3/4"			
3708	6"		6.00 32.50
3712	12"		6.50 36.95
3718	18"		7.50 40.75
3724	24"		7.95 43.50
3730	30"		8.80 47.75
3736	36"		9.95 53.95
PONY CLAMP FIXTURES			
550	3/4" BLACK PIPE CLAMPS		8.10
BOX OF 12 \$91.95			

HITACHI			
C8F8	8 1/2" SLIDE COMPOUND MITER SAW	478	
C10FC	10" COMPOUND MITER SAW	209	
C10FS	NEW 10" SLIDE COMPOUND MITER SAW	738	
M12V	3 HP VAR SPEED PLUNGE ROUTER	259	

PERMATIC III			
15	15" PLANNER	1295	
64	1 1/2 HP TABLE SAW W/ACCU-FENCE	745	
64L	1 1/2 HP TABLE SAW W/50" ACCU-FENCE	845	
66	3 HP, 1 PH 10" T.A. SAW W/50" FENCE	1995*	
66	5 HP, 1 PH 10" T.A. SAW W/50" FENCE	2095*	
*INCLUDES ACCESSORY PACKAGE & \$200 U.S. SAVINGS BOND			
73	1 1/2 HP DUST COLLECTOR	398	

ALL CHECKS WILL BE HELD 10 BUSINESS DAYS
WE ACCEPT VISA, MASTERCARD, DISCOVER, & AMERICAN EXPRESS

INTERNATIONAL TOOL CORPORATION

BUSINESS HOURS:
MON-FRI 8-5 PM EST
SATURDAY: 9-12 EST

2590 DAVIE RD., DAVIE FLORIDA 33317

FAX US YOUR ORDER AT
1-954-792-3560

FREE FREIGHT & SAME DAY SHIPPING ON MOST UPS ORDERS OVER \$50 MINIMUM PURCHASE WITHIN THE CONTIGUOUS U.S.A.

1-800-338-3384

GIFT CERTIFICATES AVAILABLE

VISIT OUR WEBSITE AT
HTTP://WWW.INTERNATIONALTOOL.COM

PORTER+CABLE		Model 9444 Profile Sander Kit		OUR PRICE
		includes 17 pc sandpaper assortment & case		\$96.00
BN125	18 GA. BRADNAILER KIT 5/8" - 1 1/4"	67	691	1 1/2 HP "D" HANDLE ROUTER
BN200	18 GA. BRAD NAILER KIT 3/4" - 2"	134	693	PLUNGE BASE ROUTER, 1 1/2 HP
DA250	15 GA. ANGLE FINISH NAILER KIT 1 1/4" - 2 1/2"	208	697	SHAPER TABLE W/ 1 1/2 HP ROUTER
DA250A	15 GA. ANGLE FINISH NAILER KIT 1 1/4" - 2 1/2"	244	698	SHAPER TABLE
FN250A	16 GA. FINISH NAILER KIT 1" - 2 1/2"	189	6931	PLUNGE ROUTER BASE
FR350	FRAMING NAILER W/CASE 3 1/2" CAPACITY	289	7116	NEW 24" OMNJIIG
NS100	NARROW CROWN STAPLER KIT 1/2" - 1"	67	7310	LAMINATE TRIMMER, 5.6 AMP
NS150	NARROW CROWN STAPLER KIT 1/2" - 1 1/2"	157	7335	5" RANDOM ORBIT SANDER
330	SPEED BLOCK FINISHING SANDER	62	7336	6" RANDOM ORBIT SANDER
332	QUICKSAND 5" RNDM ORB W/STKIT PAD	56	7518	3 1/4 HP FIXED BASE ROUTER-5 SPEED
333	QUICKSAND W/HOOK & LOOP, DUSTLS	64	7539	3 1/4 HP PLUNGE ROUTER-5 SPEED
334	QUICKSAND W/STKIT, DUSTLESS	64	7800	DRYWALL SANDER
340	1/4 SHT FIN SANDER W/DUST PU	49	7810	POWER TOOL TRIGGERED WET/DRY VAC
347K	7 1/4" FRAMERS SAW, 15 AMP WITH CASE	128	9341	1/4 SHEET FIN SANDER WITH CASE
352VS	3" X 21" BELT SANDER DUSTLESS W/VAR SP	164	9444	PROFILE SANDER KIT WITH ACCESSORIES
360	3" X 24" BELT SANDER W/DUST BAG	212	9737	RECIPRG TIGER SAW, 9.6A, QUICK CHNG CHUCK
362	4" X 24" BELT SANDER W/DUST BAG	218	9830	9.6V CORDLESS DRILL KIT W/2 BATT & CASE
505	1/2 SHT FIN SANDER	134	9862	12V CORDLESS DRILL KIT W/2 BATT & CASE
551	POCKET CUTTER	198	9872	14.4V CORDLESS DRILL KIT W/2 BATT. & CASE
552	PRODUCTION POCKET CUTTER	576	97310	LAMNT TRIMMR KIT W/3 BASES & CS
556	BISC JOINER W/CASE & TLT FENCE	132	97549	JIG SAW W/CASE & 3 BLADES
690	1 1/2 HP ROUTER W/1/4" & 1/2" COLLETS	136		

Panasonic		SUPER SPECIAL \$198	
EY6100EQKW	12V KIT W/KEYLESS CHUCK, 2 IRONMAN BATT, CHARGER & CASE	178	
EY3502EQMKW	12V CDRLS METAL SAW	288	
INCLUDES CASE & PAPER ASSORTMENT			
0232S	18 GA BRAD NAILER 3/8" - 1 1/4"	68	
0241NK	18 GA BRAD NAILER 3/8"-1 9/16" KIT	96	
0250NK	18 GA BRAD NAILER KIT 3/4" - 2"	162	
0565T	ANGLE FINISH NAILER 1" - 2 1/2"	203	
0638S	3/4"-1 1/2" NARRW CRWN STPLR W/CS	179	
EZ-1	NAILER/STAPLER KIT 5/8" CAPACITY	96	
EZ-2	NAILER/STAPLER KIT	138	

Makita		
6095DWE	9.6V CDRLS DRILL KIT W/2 BAT	125
6172DWE	7.2V CORDLESS KIT W/2 BAT	99
LS1011	10" COMPOUND MITER	428
LS1211	12" COMPOUND MITER	758
LS1013	10" DUAL COMP MITER SAW	579

DELTA		
22-540	12" BENCH TOP PLANNER	328
22-560	NEW 12" PORTABLE PLANNER	398
28-185	BENCH TOP BAND SAW	168
28-280	14" BAND SAW W/1 HP MOTOR	799
31-460	4" BELT6" DISC SANDER	134
38-821	3 HP UNISAW W/50" BIESEMEYER	1599
37-070	NEW 6" VS BENCH JOINTER	258
40-540	16" SCROLL SAW, VAR SPEED	188

DEWALT		
DW423	5" DSTLS RNDM ORB VS SNDR, VLCRO	93
DW615	1 1/4 HP PLUNGE ROUTER, VAR SP	167
DW621	2 HP VS DUSTLESS PLUNGE ROUTER	218
DW625	3 HP HVY DTY PLUNGE RTR, VAR SP	278
DW682K	BISCUIT JOINER KIT	199
DW936K	18V CDRLS CIRCULAR SAW KIT	248
DW972K2	NEW 12V CDRLS KIT/W BATT & CS	182
DW972KS2	12V CDRLS DRILL & CIRC SAW KIT	274
DW991K2	14.4V CORDLESS DRILL KIT W/2 BAT	218
DW991KS2	14.4V CDRLS DRILL & CIRC SAW KIT	348
DW995K	18V 1/2" DRILL W/BATT, CHRGR & CS	228

RYOBI		
AP12	12" PORTABLE PLANNER	388
DC500K	DC500 KIT W/CS & 5 PC CHISEL SET	62
DS2000K	2 SP DETAIL SANDR W/CS & 12 PC AST	62
HT20VSK	MULTIPROTRY TOOL W/CS & 101 PC AST	55
DBJ50	DETAIL BISCUIT JOINER	69

Freud		
JS100	BISCUIT JOINER	167
FT2000E	3 1/4 hp VS PLUNGERROUTER	204
LM72M010	10" X 24" VLT TOP RIP BLADE	36
LU84M010	10" X 50T ATB COMBO BLADE	40
LU85M010	10" X 80 T ATB FOR MIRROR FINISH	58
SJ308	8" SAFETY DADO WITH CASE	116
SD508	NEW 8" SUPER DADO SET	167

Continued from page 88

When carbide goes bad
Over the years, WOOD® magazine has answered every question about carbide saw blades except one. How do you tell when a carbide blade needs resharpening or replacement? And, how do you go about getting it sharpened?

—Merwin Willman, Schertz, Texas



Merwin, here are a few clues to help you diagnose the condition of your blade. First, burn spots and the need to slow feed rates indicate a dulling blade. Second, crosscutting with a dull blade will burnish or polish the cut end instead of leaving the pores open. Third, look for a buildup of pitch on the teeth. Pitch will gather on the teeth because a dull blade will build up more heat than a sharp one. Finally, look for chips in the teeth and even for missing teeth.

Our expert tool testers offer these hints about selecting someone to sharpen your favorite blades. Find a sharpener with a good reputation by consulting some of the professional woodworkers in your area. And, make sure they wet-grind with computer-controlled equipment. This method helps maintain the blade's balance and the carbide's temper. Finally, ask if they can offer some versatility in the coarseness of the grind. A coarser grind, like a serrated knife edge, will not cut as cleanly but will hold its edge longer. If you often work with expensive veneers, a finer grind for cleaner cuts might be a better choice. ♣



**Craftsman radial arm saw
BLADE GUARDING SYSTEM**

Now Available for many Craftsman Saws Made Since 1977

\$89⁹⁹

Plus \$9.99 shipping & handling. TN residents add sales tax.

To order or for information, call toll-free and have your model number ready (113.____). Major credit cards accepted. Available only through this offer. Not sold in stores.

1-800-511-2628

IT MAKES SAFETY EASIER!

When properly adjusted, this patented blade guarding system:

- Helps prevent wrong-way feeding during rip-cuts
- Helps prevent blade contact at outfeed side of blade during rip-cuts
- Provides second line of defense against kickback

CLEAR THE AIR

With Top Rated PSI Dust Collection Systems!



***SUPER DC250 DUST COLLECTOR**

- Powerful 2-1/2 hp motor
- 1350 CFM capacity

Our most powerful system is perfect for multiple machine and long runs. It's great for any home or commercial shop!

With 5 Micron Super High Filtration Bags!

SALE PRICE \$354⁹⁵

F.O.B.

***DC3-5 PORTABLE DUST COLLECTOR/AIR HANDLER**

- 1-1/2 hp motor • 750 CFM



With 5 Micron Super High Filtration Bag!

SALE PRICE \$214⁹⁵

FREE!
8' HOSE
\$12 Value

Compact but powerful, this lightweight 50 lb. portable unit can be moved to the job or mounted as an air handler!

***DC1B-5 DUST COLLECTOR**

- Efficient 1 hp motor
- 700 CFM capacity

Our most popular system connects to almost any machine! The "Y" outlet allows two 4" connections.

With 5 Micron Super High Filtration Bags!

SALE PRICE \$219⁹⁵

UPS \$22

FREE!
8' HOSE
\$12 Value

These models include:

5 Micron Super High Filtration Bags! Guaranteed to capture the finest sawdust, powders, paint and cement dusts. A special glazed interior material prevents clogging. 5 micron mesh captures particles 1/6th the size of those captured by other bags.

NEW! PSI DUST COLLECTOR ACCESSORIES

QUICK DISCONNECT



Quickly connect your hose to a 4" O.D. fitting. 4" I.D. x 4" O.D.

#D4X4JW\$7.95 UPS \$4



"CYCLONE" DUST SEPARATOR

for 1 H.P. to 2-1/2 H.P. dust collectors

SALE PRICE \$269⁹⁵

UPS \$17

"LONG RANGER II" DUST COLLECTOR SWITCH



Turn on your dust collector from anywhere in your shop.

#LR110 110V system....\$59.95 UPS \$4
#LR220 220V system....\$69.95 \$4



30 DAY MONEY BACK GUARANTEE!

Penn State Industries

Order Toll Free **1-800-377-7297**

2850 Comly Road, Philadelphia, PA 19154 • www.pennstateind.com



VISIT US ON THE WEB!



U.S.S. Constitution As Built From Our Kit

Length 39"/Height 26"/Scale 1:93

Mfg. List \$599.95 **Now Only \$229.99**



Our Unconventional Guarantees:

1. If less than delighted, you may return your purchase in original condition within 30 days.
2. Should you break or lose a part during construction, we will replace it free of charge.

It's Much Easier Than You Think!

You need no special skills—just a bit of patience, a few basic tools, paints and glue. Working with precise plans and fine materials, you'll fit the bulkheads to the keel and plank the hull one timber at a time. Then, you'll install deck furnishings and place the cannon on deck. Finally, you'll set the masts and rig the lines—

just like the original frigate of two-hundred years ago.

The result? An authentically detailed, museum quality wooden ship model you'll display with pride... a valuable keepsake to be treasured for generations.

The Secret's In Our Kit

We include all the materials you need to build the model as shown. Pre-cut walnut, beechwood and mahogany parts make building easy. Ready-to-use fittings consist of wooden blocks, deadeyes and belaying pins, brass chain, and cast metal ornamentation. And, you get three thicknesses of rope for lifelike rigging. From her 32 burnished metal cannon and 20 carronades to the golden eagle on her stern, your model is an authentic reproduction. Ten giant sheets of plans and instructions show you the way to a magnificent model. (Expect to spend 300 or more pleasure-filled hours completing it.)

\$300.00 Off List Price!

Special Offer With FREE Book And Catalog!

The list price for the U.S.S. Constitution is \$599.95. But for a limited time only, it's yours for just \$229.99! And, if you order now, we'll also send you *Ship Modeling Simplified* a richly illustrated 162 page guide to wooden ship modeling. Selling for \$14.99, it's yours—*absolutely free!* You'll also receive a 120 page color catalog of over 100 ship model kits, miniature tools and reference books.



Send No Money Now... Take Four Months To Pay!

We will charge your credit card for \$57.50 (plus a one time \$15.00 shipping & insured delivery charge) when we ship your kit. Then, we'll automatically charge your account \$57.50 at the end of each month for the next three months. (FL residents will be charged 6% sales tax on the amount billed.) So, start building your U.S.S. Constitution now, and pay for it in four easy, interest-free installments!

Please note: Deferred payment plan is limited to MasterCard and Visa card holders. Credit cards will not be charged until shipment. If you choose the installment payment option, we will defer payment on all other items offered here.

Credit Card Holders In U.S. & Canada Call
TOLL-FREE 800-222-3876 Mon.-Fri. 9 to 6 E.T.
Fax TOLL-FREE 800-742-7171 Anytime

BUILD THE U.S.S. CONSTITUTION...

AND DISCOVER THE WORLD'S MOST CREATIVE AND SATISFYING HOBBY!

Experience the pleasure and pride of accomplishment wooden ship modeling offers! Even if you're not an expert modeler, you can build the U.S.S. Constitution, a true-to-scale replica fitted with rich walnut planking, gleaming brass fittings and delicate rigging—lifelike in every detail.

Deluxe Ship Modeler's Tool Set

Hinged wooden chest contains three hobby knives, 15 assorted blades, miter box with saw blade, tweezers, pliers, awl, 4 gouges, 3 mini-drills, plus sanding block and wedge.

No. EX44291

Mfg. List \$51.95 **Now Only \$29.99**



Model Finishing Set

All the finishing materials you need! 1 oz. instant glue; twelve 1 oz. bottles of Floquil Model Paints, plus five high quality sable paint brushes.

Retail Value Over \$40.00

Now Only \$29.99

Our 22nd Year!

Visit our retail store at
3850 North 29th Terrace, Hollywood, FL 33020



MODEL EXPO, INC.

Dept. WDB7

Yes! Please send:

- U.S.S. Constitution kit with free book & catalog- \$229.99 (No. MV31C)
- Deluxe Tool Set- \$29.99 (No. EX44291)
- Model Finishing Set- \$29.99 (No. MV31FS)

Charge my credit card: MasterCard Visa
Installment Payment Option: Yes No

Account No. _____ Exp. _____

Signature _____

Name _____

Address _____

City _____ State _____ ZIP _____

- My check or Money Order is enclosed. (Shipping and insured delivery: orders to \$50.00 add \$5.00; over \$50.00 add 10% only; over \$150.00 add \$15.00. FL residents must also add 6% sales tax.)

Special offer valid through December 31, 1997.
© Model Expo, Inc. 1997

Tooling Up for IDEA SHOP 3



Value, compactness, noise suppression, and efficient dust collection guided our choices

Have you ever wondered what tools the editors of *WOOD*® magazine choose for their own shops? Well, like you, our woodworking interests vary, so each staffer prefers different tools. But, we did manage to put our heads together and agree on a selection of tools and accessories that suit the requirements of IDEA SHOP 3.

First and foremost, we chose quality equipment that performs well and stands up to workshop rigors. But, we didn't throw our budget to the wind. Instead, we kept a close watch on price tags and selected items that we feel are good values.

We also considered the special requirements of our basement space. When it made sense, we chose benchtop machines to save on floor space.

And, we favored products with effective dust collection or noise suppression. For example, the Porter-Cable shop vacuum is quieter than most vacs and has a filter that captures fine dust particles.


To keep down the roar from our saws, we outfitted them with "quiet" circular blades such as the Freud mitersaw blade with noise-dampening features. We muffled the Forrester Woodworker II blade

- | | |
|--|---|
| 1. Jorgensen handscrew clamps | 10. Skil HD5658 portable circular saw |
| 2. Black & Decker Bullet drill bits | 11. Stanley Contractor Grade hammer |
| 3. Makita 3901 biscuit joiner | 12. Hitachi DS13DV2B 12-volt cordless drill |
| 4. DeWalt DW621 router | 13. Stanley block plane |
| 5. Freud router bit | 14. Quick-Grip bar clamps |
| 6. CMT router bit | 15. Sears Craftsman Professional adjustable jaws pliers |
| 7. Freud FT2000E router | 16. Sears Craftsman 3/8" electric drill |
| 8. Bosch 1584DVS jigsaw | 17. Arrow T50 staple gun |
| 9. Porter-Cable model 340 1/4-sheet finishing sander | 18. Nicholson wood rasp |

in our tablesaw by sandwiching it between a pair of 4" blade stiffeners.

In the list on *page 94* we break down the IDEA SHOP 3 tools into four categories for quick reference. Perhaps you'll find a tool or two perfectly suited to your shop!

Bill Krier
Assistant Managing Editor

 Print this article

Continued on page 94



Business owners at one of the regular August West training workshops.

Earn \$1,000 a Week in Your Spare Time.

Chimney Maintenance: Every Home Needs It!

August West will show you how to clean and maintain chimneys and flues using our state-of-the-art equipment and field proven techniques.

You'll be able to generate sales that range from \$65 to \$140 per call. And easily earn \$1,000 a week in your spare time. More full time.

For less than the cost of a second hand car you can be running "one of the best small businesses in America."

Why Clean Chimneys?

There are nearly one hundred million chimneys, flues and stoves across the continent. Whether they are burning Gas, Oil, Coal or Wood, they *all* need to be cleaned. According to the National Fire Protection Association, they should be cleaned and serviced at least once a year to prevent disastrous fires.

There is an urgent need for this service. And there are very few sweeps.

21 Years of Service

For more than twenty-one years, August West has equipped men and women to clean and service chimneys and flues.

We're a national company and 90% of the chimney sweeps in the U.S. and Canada use our system.

Fabulous Earnings

Here's what your part-time weekly income could look like:

2 service calls	=	\$180 Mon
3 service calls	=	\$250 Wed
3 service calls	=	\$230 Fri
5 service calls	=	\$380 Sat
		\$1,040 weekly

August West Backs You Up

We provide you with training and support, workshops, newsletters, technical marketing advice, advertising and promotion manuals and continuing access to the growing chimney sweep community. You have all the advantages of a franchise without any of the drawbacks!

No Strings Attached

You keep all you earn. With August West there are no franchise fees, no commission payments.

For an investment of \$3,995 you get the tools, equipment, and promotional materials you need to start earning money immediately.

Join the many thousands who have found personal freedom, success and the time to do the important things.



Jerry Morelle, owner of Magic Dragon Sweeps, leads an August West workshop. Participants learn how to clean and repair chimneys and flues and market fire protection supplies that generate a lot of additional income.

Write for a Free Information Kit today or . . .

Better still, pick up the phone and call us at this Toll-Free number:

1-800-225-4016

(In U.S. & Canada)

Ask for Extension **2303**

Copyright © 1997 August West Systems

Send to: August West Systems
38 Austin St., Box 16543, Dept. 4847
Worcester, MA 01601-6543

**Yes, please rush me your
FREE Information Kit.**

Name _____

Address _____

City _____

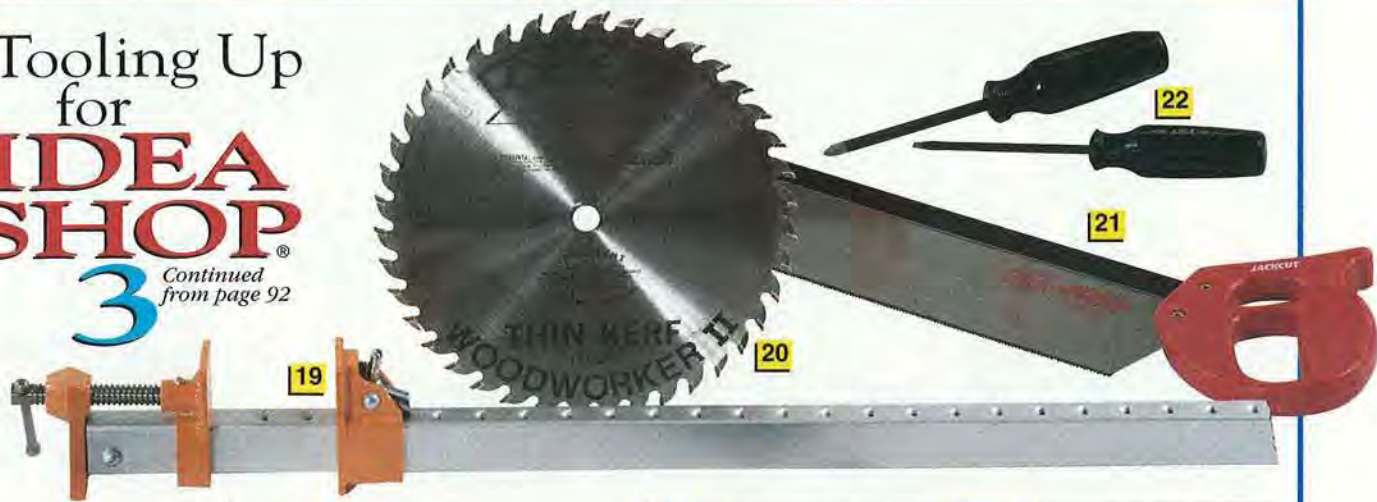
State _____ Zip _____

Phone () _____



Tooling Up for **IDEA SHOP**[®]

3 *Continued
from page 92*



STATIONARY AND BENCHTOP MACHINERY

4x36" belt/6" disc sander:
Skil model 3370
S-B Power Tool Co.
773/286-7330

Benchtop drill press:
Grizzly model G1199
West of Mississippi River:
800/541-5537
East of Mississippi River:
800/523-4777

**Compound mitersaw
and 12" portable
thickness planer:**
Delta models 36-220
and 22-560
800/438-2486

Lathe:
Coronet model CL1
Record Tools
905/428-1077

Scrollsaw:
Hegner model Multimax 14E
Advanced Machinery Imports
800/322-2226

1x30" Strip sander:
Central Machinery
Item 07830-8RMA
Harbor Freight Tools
800/423-2567

Tablesaw:
Jet model JTS-10
with Xacta fence
800/274-6848

PORTABLE POWER TOOLS

Biscuit joiner:
Makita model 3901
800/462-5482

Circular saw:
Skil model HD5658
S-B Power Tool Co.
773/286-7330

Cordless drill:
Hitachi model DS13DV2B
800/706-7337

Detail sander:
Fein model Msxe6362
800/441-9878

Electric drill:
Craftsman model 27141
Call or visit your
local *Sears* store

**Jigsaw and
3x21" belt sander:**
Bosch model
1584DVS and 1274DVS
S-B Power Tool Co.
773/286-7330

Motorized rotary tool:
Dremel model 3956 Multi-Pro
800/437-3635

**Router for handheld use,
random-orbit sander,
and cordless circular saw:**
DeWalt models DW621,
DW423, and DW936K
800/433-9258

Router for router table:
Freud model FT2000E
800/334-4107

**Shop vacuum,
1/4-sheet finishing sander,
and router/trimmer:**
Porter-Cable models 7810,
340, and 7310
800/487-8665

19. Jorgensen aluminum
bar clamp
20. Forrest Woodworker II
10" tablesaw blade

21. Jackcut backsaw
22. Sears Craftsman
Professional
screwdrivers

POWER-TOOL ACCESSORIES

**Drill and driving bits,
and portable work table:**
Black & Decker Bullet bits,
Build-A-Set with drill and driv-
ing bits, and Workmate 425
800/762-6672

Mitersaw blade:
Freud model F80
800/472-7307

Router bits:
CMT USA
888/268-2487

Freud
800/472-7307

Tablesaw blade:
Forrest Woodworker II
800/733-7111

HAND TOOLS AND MISCELLANEOUS

**Adjustable wrenches,
tin snips, files, rasps,
propane torch, and
soldering gun:**
Crescent, Wiss, Weller,
and *Nicholson* brands
Cooper Tool Company
800/423-6175 (Fax only)
919/781-7200

**Hammers, scrapers, block
plane, tape measures,
squares, and chisels:**
Stanley Contractor Grade
800/648-7654

**Handscrew clamps,
steel bar clamps, and
aluminum bar clamps:**
Jorgensen and *Pony* brands
Adjustable Clamp Company
312/666-0640

Lacquer finish:
Deft Clear Wood Finish
800/544-3338

**Oil and polyurethane
finishes:**
Minwax Antique Oil Finish and
Fast-Drying Polyurethane
800/526-0495

**Pliers, screw drivers,
and Robo-Grip
self-adjusting pliers:**
Craftsman Professional
Call or visit your
local *Sears* store

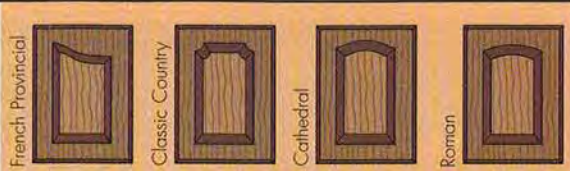
**Quick-Grip bar clamps and
bench hold-down clamp,
spring clamps, and
Jackcut handsaws:**
American Tool Companies
800/866-5740

**Staple gun and
hot-melt glue gun:**
Arrow models T50 and TR550
201/843-6900

**Woodworking and
machinist's vises:**
Wilton model 53A 7"
Woodworker's Vise and
Tradesman model 2050
847/934-6000 ♣

Photographs: John Hetherington

This is what you get



this is what you do

Just like it says on the box, CMT and Marc Sommerfeld have created a cabinetmaking set for building arched raised panel doors accurately and easily. The set contains 6 CMT bits made from the best quality steel and carbide available and coated with CMT's trademark orange non-stick PTFE

- ▶ NEW raised panel bit with back cutter
- ▶ NEW drawer front bit
- ▶ Ogee rail and stile bit pair
- ▶ Classical ogee profile bit
- ▶ Super duty flush trim bits

Select a template set from the 4 different designs and make your own professional raised panels. As an additional bonus, we'll include the how-to companion video by Marc Sommerfeld **FREE** with the purchase of a 6 piece set.

CMT
the only **ORANGE** one

© 1997 CMT Utensili Srl - TM: CMT, the CMT logo and the orange color applied to tool surfaces are trademarks of CMT Utensili Srl

800.515.11

CMT USA, Inc. 307-F Pomona Drive Greensboro, NC 27407 Toll free 1-888-CMT-BITS
Free fax 1-800-268-9778 e-mail cmtusa@aol.com www.cmtusa.com

Circle No. 1312

Make Your Workshop Pay Off BIG!



FREE 30-DAY TRIAL!

Craftsmen everywhere are using the low-cost Woodmaster to **bring in welcome extra cash** and to **save** on all their lumber needs. You can, too!

With the big 18-inch Woodmaster or the standard 12-inch model, you can quickly convert low-cost, rough lumber into valuable finished stock. You can turn out perfect picture frame moldings, crown, bed and base moldings, tongue & groove, door and window trim...all popular patterns...any custom design.

You can do custom work for friends, neighbors, lumberyards, picture framers, home remodelers, hobby shops and businesses.

Because it takes just seconds to convert a \$2 rough board into \$10 worth of finished trim, you can see why so many Woodmaster owners enjoy substantial extra incomes!

Variable Speed Makes The Difference!

Just a twist of the dial gives you perfect control for planing, sanding or sawing...from 0 to 1,000 cuts per inch. Creates mirror-smooth molding with no sanding required!

Here's what Woodmaster owner L. C. Griffin of Nashville writes: *"The shop test article in Wood Magazine that said they loved your Variable Feed Rate is what sold me. They were right."*

Call or write today for **FREE Facts** on how you can try this **American-Made** tool in your own shop for one full month. Easy terms.



Woodmaster's Quick-Change Molding Head lets you create custom moldings from any stock. Choose from over 250 standard trim and picture frame patterns...or design your own!



Power-fed sanding speeds production and improves the quality of your work. No more waves or cross-grain scratches. Separate sanding head installs in just minutes.



New rip saw attachment lets you gang-rip with power feed in a fraction of the time it takes for multiple hand-fed passes on an ordinary table saw.

CALL TOLL-FREE
1-800-821-6651 Ext. PW22
In Canada call 1-800-661-1915

FREE FACTS **YES!** please rush me your **FREE** Information Kit plus details on your **30-DAY FREE TRIAL GUARANTEE!**
WOODMASTER TOOLS, INC., DEPT. PW22
1431 N. TOPPING KANSAS CITY, MO 64120

Name _____
Address _____
City _____ State _____ Zip _____

Roll-Around Tool Base

Continued from page 67

end cap, flush against the end (B) and sides (A). Do not glue the blocks to A and B.

5 Cut the swivel-caster mount (E) to the length of the opening minus $\frac{1}{8}$ ". Bevel-rip one edge at 15° where shown on the Exploded View drawing. Mark and cut a pair of 1" radiuses on opposite corners. Drill the mounting holes, and bolt a pair of 2" swivel casters to the bottom side of the mount (E).

6 Mount a pair of $1\frac{1}{2}$ " butt hinges $2\frac{1}{2}$ " long to the bottom side of the caster mount (E). (After twisting off several of the screws supplied with the hinges, we used #10 $\times\frac{1}{2}$ " panhead sheet-metal screws to secure the hinges to the caster mount.) Then, drill the pilot holes and screw the hinges to the end (B) where dimensioned on the Swivel Caster drawing.

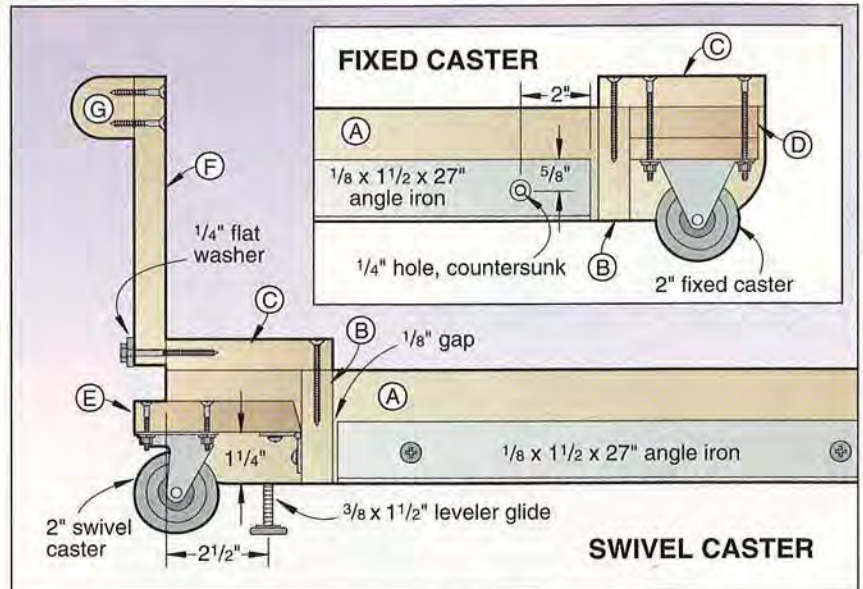
Add the angle iron and leveling glides next

1 Hacksaw a pair of $\frac{1}{8}\times 1\frac{1}{2}$ " angle iron pieces cut to the length of the opening minus $\frac{1}{4}$ ". With a cloth and paint thinner, thoroughly clean the angle iron before bringing it in contact with your wood.

2 Drill equally spaced mounting holes through the angle iron. See the side (A) on the Parts View for spacing. Next, transfer the hole centerpoints to the inside face of the sides (A). Using a high-speed steel countersink bit, countersink the holes on the inside face of each piece of angle iron.

3 Disassemble the tool base, and drill the mounting holes through the sides (A) for attaching the angle iron. Counterbore the holes on the outside face of the sides (A) for housing the T-nuts.

4 Cut a $1\frac{1}{2}$ " radius on the bottom corners of the sides (A) where shown on the drawings.



5 Mark the centerpoints, and drill the mounting holes for the $\frac{3}{8}$ " threaded inserts on the bottom edge of the sides, $2\frac{1}{2}$ " in from the ends where shown on the Swivel Caster drawing.

6 For ease in driving the inserts into the sides (A), cut the head off a $\frac{3}{8}\times 3$ " bolt. Double-nut the bolt and thread the insert onto the bottom of the bolt below the nuts. Chuck the assembly into your drill press, and turn the chuck by hand to drive the insert squarely into the mounting hole. Repeat for the second insert.

Add the cam-action foot lever

1 Transfer the patterns from the patterns insert for the full-sized cam lever (F) and the toekick (G) to $\frac{3}{4}$ " stock, and bandsaw them to shape. Sand the edges to remove the saw marks.

2 Drill a $\frac{1}{4}$ " hole through the cam lever for attaching it to the end cap (C) later. Mark the centerpoint, and drill a mating pilot hole in the end cap used at the swivel caster end of the base.

3 Drill a pair of mounting holes through the cam lever and into the toekick. Glue and screw the toekick to the cam lever.

Final assembly and finishing

1 Remove the casters from the base. Remove the hinges from parts B and E.

2 Glue and screw the base ends (B) between the sides (A), checking for square. Screw the end caps (C) in place.

3 Add a clear finish or paint the pieces the same color as the machine it will support. Be careful not to get any finish in the threaded inserts used to house the levelers. Paint the angle iron.

4 Drive the panhead sheet-metal screws to hinge the caster mount (E) to the end (B).

5 Use a wrench to drive the $\frac{1}{4}$ " lag screw connecting the cam lever (F) to the end cap (C).

6 Tap the T-nuts in place, and secure the angle iron to the base sides. Bolt the casters in place.

7 Add the levelers. Raise the levelers so the base rests on the levelers when the cam lever is flipped to the right side, raising the caster mount and swivel casters. When you want to move the tool, flip the cam lever to the left to lower the casters. 🛠️

Written by Marlen Kemmet
Project Design: James R. Downing
Illustrations: Roxanne LeMoine
Photographs: Hopkins Associates

Econ-Abrasives

WE MAKE ABRASIVE BELTS ANY SIZE, ANY GRIT!

Standard Abrasive Sheets

CABINET PAPER

	50/pk	100/pk
60D	\$16.70	\$30.00C
80D	15.60	27.80C
100 thru 150C	14.50	25.60C

FINISHING PAPER

80A	\$11.15	\$18.90C
100 thru 280A	10.00	16.70C

NO LOAD PAPER(white)

100 thru 400A	\$12.25	\$21.25C
---------------	---------	----------

*C" = 100 SHEETS

Velcro® Vacuum Discs

8 Hole pattern for Bosch sanders

Dia.	Grit	Price
5"	60	\$.48 ea
5"	80	.46
5"	100 thru 320	.45

* Available in 5 hole pattern *

*Wide Belts*Rolls*Flap Wheels
*Pump Sleeves*PSA Discs
*Router & Wood Bits*Wood Glue

*MasterCard, VISA, C.O.D. or Check
*SATISFACTION GUARANTEED!!!
*CALL FOR FREE CATALOG
- TX & NV add appropriate sales tax
- Continental U. S. shipping add \$5.50

ABRASIVE BELTS

Belts are resin bond cloth with a bi-directional splice, specify grits.

1X30	\$.81 ea	3X24	\$.93 ea
1X42	.81 ea	3X27	.96 ea
1X44	.81 ea	4X21 3/4	1.06 ea
2 1/2X16	.85 ea	4X24	1.10 ea
3X18	.86 ea	4X36	1.35 ea
3X21	.90 ea	6X48	3.50 ea
3X23 3/4	.93 ea	6x89	6.24 ea

OTHER SIZES ON REQUEST

HEAVY DUTY SPRING CLAMPS

Clamps come w/PVC tips and grips.



Size	Price
4"	\$1.75 ea
6"	2.25
8"	3.50

JUMBO ROUTER PAD(24" x 36")

It will not allow small blocks of wood to slip out under router or sanding applications. ROUTER PAD ONLY \$8.95ea.

JUMBO BELT CLEANING STICK ONLY \$8.80

Econ-Abrasives

P. O. Box W865021
Plano, TX 75086
(214)377-9779

TOLL-FREE ORDERING LINE (800)367-4101

Circle No. 1229

WOODLINE ARIZONA, Inc.

P.O. Box 1530 • Payson, AZ 85547

- All Major Credit Cards Accepted
- Shipping is only \$3.75 per order
- 24 hours a day • 7 days a week

1-800-472-6950

The Place for Router Bits and Shaper Cutters

Check our NEW FREE 40-PAGE CATALOG with OVER 60 NEW ROUTER BITS AND CUTTERS including terrific items not found anywhere else, like: exterior and passage door cutters, flooring tongue & groove cutters, shear cutting straight bits and flush trimmers, plus many more!

All bits feature: • Anti-kickback design • Super-slick coating • Lowest prices anywhere for bits of this quality!



Your shops' most useful tool—Woodline's "Does-It-All" ROUTER TABLE

\$499. plus \$40.00 for packaging, handling, and freight.

Check these Features:

- Tough heavy duty steel – weighs 106 lbs.
- A sliding table with more than 26" of table travel
- Multi-positioned mitre and hold down clamp.
- Table can be locked making a 32"x24" fixed table.
- Micro-precision calibrated cross feed.
- Tall split fence positionable front & back, & side to side.
- Featherboard positioned anywhere along the work area.
- 2 inserts for table router bit up to 3-1/2" diameter
- Starting pin. • Dust collection hood.
- Tilt & lock capacity for full view of the workpiece

Router Table shipped Complete with:

- Heavy duty stand
- 2 table inserts
- Featherboard
- Spacers
- Starting Pins
- Fences
- Holding Clamp
- Mitre
- Switch & Outlet
- Micro-calibrated cross-feed

Circle No. 1395

PRICE BREAKTHROUGH!

An Affordable 18 VOLT Cordless Drill.

Why pay \$200 or more for a quality 18-volt cordless drill? As part of a nationwide media campaign, the world's largest cordless drill manufacturer has authorized us to introduce their new 18-VOLT Cordless Drill at a revolutionary \$99⁹⁵. Plus, wait till you see the 3 FREE BONUSES!

Finally! Here's a quality 18-volt cordless drill that delivers awesome power and longer running times at a price that makes sense!

This is a terrific value. With 220 in./lbs. of torque in a drill weighing 3.9 lbs., you'll have the best power-to-weight-ratio in any 18-volt drill.

If you want a powerful tool that is comfortable to use—and not a cumbersome 7 lb. dinosaur—this is the cordless drill for you... especially at our breakthrough low pricing!

TRY IT RISK-FREE

Your 100% satisfaction is guaranteed. If you're not satisfied, return it within 30 days for a no-questions-asked refund. To order your 18-Volt Cordless Drill/Driver Set call toll-free, 1-800-925-2005 or send your check for just \$99.95 (\$8.95 S&H). Item No. 110-W11. CA res add tax.

Extra batteries are \$42.95 ea. (\$3.95 S&H). Item No. 111-W11. Upgrade to a One-Hour Smart Charger for just \$14.95. Item No. 112-W11. Call now!

Order from our web site and save 3% <http://www.greattools.com>

Call Toll-FREE 1-800-925-2005

100% Satisfaction Guaranteed!



YOU GET 3 FREE BONUSES!

If you're one of the first 1,000 to take advantage of this exclusive direct-to-you offer, you'll get 3 valuable bonuses to keep — even if you return the drill set.

FREE! 300-Piece Drill Kit containing screwdriver bits, twist drill bits, brad point bits, carbide-tipped masonry bits, drywall anchors and storage case.

FREE! 5-in-1 Mini-Screwdriver Set.

FREE! Deluxe 23-Piece Accessory Kit.

Great Tools Direct!

587F Ventu Park Rd
Department 801
Thousand Oaks, CA 91320
(800)925-2005
(805)375-6061

Heavy Duty 3/8" Jacobs® Keyless Chuck

220 in. lbs. of torque.

6 Precision Clutch Settings

0-900 RPM, variable speed reversible

Powerful, Long-Life 18-Volt Battery

Your Price Just

\$99.95

Includes: 18-Volt Cordless Drill/Driver with Hardshell Carry Case, Charger and Battery!

While Supplies Last



Circle No. 43

Woodworker's Marketplace

This section features advertisers offering products by mail. Additional information can be found in the Woodworker's Resource section. Please contact the advertiser directly or use the Circle No. to the right of each ad to request information through the Woodworker's Resource envelope.



Print this article

Wood Moisture Meter

Professionals and hobbyists can choose from 8 different Mini-Ligno moisture meters:

Versatile
Affordable
Sturdy!

Over 100,000 units sold.

Also introducing
New Mini-Ligno XL

For brochure contact:

Lignomat USA, Ltd. PO Box 30145
503/257-8957 800/227-2105 Portland, OR 97230



Circle No. 1250

Schlabaugh & Sons Woodworking

720 14th Street Kalona, IA 52247
1-800-346-9663 e-mail schsons@kctc.net



Free Catalog

Item #200920
2 3/4" clock mvmt.
\$9.95 plus \$3.95 S/H

*** FOR IMMEDIATE SHIPMENT ***

Plan for this clock shown in "WOOD" Sept. 1996
Clock designed by Denis Sutter

Circle No. 2385

Scroll Saw Projects



The Hottest
new
patterns,
techniques,
tips and
ideas!

Patrick Spielman's full-color, 16-page, bi-monthly newsletter. Order your 1-year subscription for only \$19.95 or a sample issue and book catalog for \$1.00.

Send to: Spielman Publishing Co.,
PO Box 867-W, Fish Creek, WI 54212-0867

Circle No. 450, 1142

Be a Furniture Restoration Specialist Discover Minuteman

Complete Shop Concept Strip • Repair
Touch-Up • Fake Grain
Marbelize • Resilver • Refinish
Duplicate Parts • Repair Frames • Veneer

Why Minuteman?

- Proven, Low-Risk, Cash Return
- Low Start-Up Costs; Expert Training
- Environmentally Friendly System
- Wholesale Supplies
- Handy Sample Kits Available
- Systems From \$1,500-\$11,000
- 28 Years Experience; 3,000+ Shops

No Experience Necessary
◆ Part-Time, Full-Time ◆
Ideal for Men & Women

FREE 2-Day Business Exploration Seminar

No Obligation to buy!
Register Now - Limited Seating!

Call for FREE Catalog

MINUTEMAN, INC.

Ste. 17, P.O. Box 8, Waterloo, WI 53594
1-800-733-1776

Circle No. 1661

Our Samples Are Better Than



FREE!

We're so sure you'll love our Square Drive Screws we will practically pay you to try them. Return this card with \$5 and we will send you our famous "Try-Pack" Sampler of 100 screws (25 each of #8 x 5/8, 8 x 1-1/4, 8 x 1-1/2 and 8 x 2) along with a driver bit for your drill, our catalog listing 350 types of Square Drive screws, and a coupon worth \$5 off your first order of \$25 or more, or \$10 off your first order of \$50 or more! (Offer expires 10-31-97. Available in USA only.)

©1997 McFeely's All Rights Reserved

McFEELY'S
SQUARE DRIVE SCREWS

PO Box 11169 • Dept WD
Lynchburg • VA • 24506-1169

Circle No. 401



Precision Marking Protractor

- One-half degree increments
- Removable T-Bar
- Centering Rule
- And more...



This 21st century Marking Protractor has micro-fine guide holes at every 45°, 30°, 22.5°, 5°, 1°, and 0.5° interval to plot any angle with ease and absolute accuracy. A metal T-Bar and see-through crosshairs provide perfect alignment against the edge of your workpiece. Remove the T-Bar to work on flat surfaces or to use the 6" centering scale. FOUR angle scales, including one for marking narrow stock, suit every need. It's easy on the eyes, incredibly accurate, and just plain fun to use! Patents pending

To learn more about INCRA's extraordinary NEW line of precision Marking Protractors, Marking Rules, Bend Rules, T-Rules, and Centering Rules call, write, or fax:

Taylor Design Group, Inc.
P.O. Box 810262, Dallas, TX 75381
Tel: (972) 484-5570 Fax: (972) 243-4277
E-Mail: TDGIncr@aol.com

Stainless Steel

VAN DYKE'S RESTORERS

Supplies for woodworkers and antique restorers!



Over 8,000 Items

- Ising glass
- Curved & bubble glass
- Roll top accessories
- Hoosier accessories
- Carvings & moldings
- Furniture components
- Over 1,000 Brass, Glass & Wooden Hardware items
- Much, Much More

Call or Write For Your **FREE** Catalog

1-800-843-3320

Dept. 60047 • PO Box 278
Woonsocket, SD 57385

Circle No. 2077



TURN PENS IN 2 MINUTES!

The WoodWrite Microlathe — a revolution in pen and pencil turning. Call, write or fax for details & prices.

2121 Abell Lane, #44
Sparks, MD 21152 USA
Phone: 410-771-4444
Fax: 410-771-4879

WoodWrite Ltd

TollFree: 1-888-WOODWRITE

Circle No. 2098

QUARTZ MOVEMENT

"Six-Pack"
\$18.95 *REDUCED*

INCLUDES;

- 6 QUARTZ CLOCK MOVEMENTS
- 6 PAIRS OF 2" BRASS HANDS
- 6 PAIRS OF 2 1/4" BRASS HANDS
- 6 BRASS SECOND HANDS
- 6 SETS HANGERS and HARDWARE

FREE COLOR CATALOG ONLY
Or Call Us At **1-800-533-2024**

Please choose one shaft length per "Six-Pack"
 5/16" 7/16" 11/16" 15/16"

Shipping & Handling Included in Continental USA



PRECISION MOVEMENTS

4251 Chestnut Street
Dept. H1
Emmaus, PA 18049

25 YEARS OF SERVICING THE CLOCK INDUSTRY



Stands just 22" High.
Takes Only 8 Hours To Construct.

Kit includes: Plans, materials list, plastic laminate (choice of 3 colors, Pine Green, Deep Country Blue, Cranberry), 2 brass drawer pulls, 2 sets of drawer slides, (four) 45° corner braces, and 6' of 3/4" oak veneer stripping.

Plans and Materials List - **\$14.95** (Plus \$1.95 S&H)
Plans, Materials List and Kit - **\$59.95** (Plus \$12.95 S&H)

"Lil' Executive Desk"

"Paw Paw, will you build me one

for Christmas?"

Fun and quick to make. Your child or grandchild will enjoy a handcrafted "Lil' Executive Desk" for years and it will become a "hand me down" for generations. Requires very little material and only 8 hours to construct.

1-800-465-9680

Southern Pride Crafts

240 Estate Drive - Pineville, LA 71360

Check, Money Order, Master Card, Visa, American Express

Circle No. 444

MAKE IT MOBILE

WITH HTC MOBILE MACHINE BASES

For a **FREE** Full-Color Catalog of HTC's Complete Product Line Call: **1-800-624-2027**



Circle No. 1245

Futon Frame Plans



Style A \$12.95 Style B \$12.95
Twin, Full & Queen Size Twin, Full & Queen Size.

****\$3.00 S&H per order***
NO SPECIAL HARDWARE NEEDED (Please indicate Style A or B)

Specialty Furniture Designs
797 W. Remus Road, Dept. W-46
Mt. Pleasant, MI 48858 • 1-800-892-4026
MI Sales Tax 6%

Visa/MC/Discover Accepted
Color Catalog \$3.00 FREE with order.

Circle No. 445



The HARD WAYS!

WHY STRAIN to carry **HEAVY LOADS** by hand...or **STRUGGLE** to move overloaded garden carts in soft soil, up hill or down?

Now, haul up to 800 lbs. with never-before-ease with the Revolutionary

DR® POWER WAGON™!

- **BIG POWER-DRIVEN WHEELS** and 4 speed transaxle lets you move slow or fast over rough or smooth terrain.
- **POWER REVERSE** gets you out of tight spots!
- **Dump bed** makes for easy unloading of gravel, soil, firewood, and rocks.
- **Pays for itself over and over in time and labor saved!**



Toll FREE (800) **582-6777**

Patented

Please mail this coupon today for **FREE DETAILS** about the Revolutionary **DR® POWERWAGON™** including prices and specifications of Manual and Electric-Starting Models, and "Off-Season" Savings now in effect. There is no obligation.

Name _____ WOO
Address _____
City _____ State _____ ZIP _____
To: **COUNTRY HOME PRODUCTS®**, Dept. 2986N
Meigs Road, P. O. Box 25 Vergennes, VT 05491

© 1997, C.H.P., Inc.

Personalize all Your Woodworking Projects

You work hard on a project - Let others know who did it! Put a custom engraved brass nameplate on everything you do and be remembered forever.

Gold Silver & Black Brass Avail.

Hand Crafted by **Dennis Kandziora**

Custom Sizes & Lg. Qty. Disc. Available

Size: 5/8" x 3 1/2" 10 - 24 \$4.50 ea. 25 - 49 \$4.00 ea. 50+ \$3.75 ea.
Size: 1/2" x 3" 10 - 24 \$4.25 ea. 25 - 49 \$3.75 ea. 50+ \$3.50 ea.
Please add \$4.50 S&H to each order *Orders ship within 2 bus. days Reg UPS*
WI Residents add 5.1% Sales Tax All plates come with brass brads VISA/MC

Put YOUR Signature on Everything! Call for Details

Hand Crafted by **John L. Kogut**

Sign Design Custom Products, Inc. 1-800-274-9161
64 Perkins Dr., Mukwonago, WI 53149 Fax 1-888-374-9161

Circle No. 2005

THE SCROLLER'S SUPPLY STORE



Call 1-800-487-2623 Today!

rbindustries

1801 Vine St., Harrisonville, MO 64701
www.rbiwoodtools.com/

GC11

Circle No. 84

New TRIMMER ON WHEELS!

Rolls light as a feather on two BIG WHEELS!

TRIMS far easier, better, more precisely than hand-held trimmers. Plus MOWS everything from whole lawns (even wet!) to tough waist-high growth with ease! Rocks, roots, stumps, etc., do it no harm because the "DR" has no steel blade to bend or dull. Perfect for ALL mowing and trimming around smaller properties, vacation homes, etc., or for finish-up mowing/trimming after riding mowers on larger parcels. A delight for anyone to use!



Toll FREE (800) 582-6771

Please mail this coupon today for FREE DETAILS about the Revolutionary DR® TRIMMER/MOWER™ including prices of Manual and Electric-Starting, "Off-Season" Savings now in effect, and 30-Day Risk-Free Home Trial.

Name _____ WOO
 Address _____
 City _____ State _____ ZIP _____
 To: COUNTRY HOME PRODUCTS®, Dept. 2986
 Meigs Road, P.O. Box 25, Vergennes, VT 05491

WOODWORKERS ONLY

TAKE AN EXTRA
40-50% OFF



- All steel building with a 20 year warranty
- Ideal for use as a workshop and storage
- Made for the do-it-yourselfer

Available in widths up to 80 feet with unlimited lengths.

Hurry!
 This is a limited time offer



Buy factory direct by calling
800/891-6733
 Ask for ext. 1118

For All Your Woodcarving & Sign Carving Needs

Terrco provides a full line of machine carving and sign carving equipment. Beginning models are the T-110 single spindle bench carver and our CM614 single spindle sign carver.

Terrco, Inc.

222 1st Ave. NW
 Watertown, SD 57201
 USA
 (605) 882-3888
 Fax (605) 882-0778

Intermediate models include the K-Star, a two-spindle heavy duty bench model, and the Northstar, a heavy duty floor model available in one to eight spindles.

Our advanced model is our Master Carver series, which is an extremely heavy duty floor model with from eight to forty spindles.

Write or call for more information.



Model T-110 Dupli-Carver



Model CM614 Sign Carver



Multi-Spindle Carving Machine

New from **OLSON** PGT Scroll

Free Blade Offer

The experts agree, PGT's are "The Best" Scroll Saw Blades You Can Buy!

The Smoothest Cutting, Most Accurate, & Longest Lasting Scroll Blades Made.

Available from your Olson Dealer
 5" Plain End Blades with Reverse Teeth, Univ. Sizes 5, 7 & 9.

Free Blade Offer:
 Send Self Addressed Stamped Envelop for One Each of # 5, 7 & 9.



Name _____
 Address _____
 City _____
 State _____ Zip _____

The Olson Saw Company
 16 Stony Hill Road, Dept. WM
 Bethel, CT 06801
 Fine Quality Saw Blades Since 1918

FREE WOODWORKER'S CATALOG



Over 5000 products to **BUILD, REPAIR, RESTORE, REFINISH** anything made of wood!

- lumber • carvings • finishes
- veneers • tools • books
- inlays • hardware • plans
- moldings • glues • ...and more

CALL TOLL FREE
1-800-223-8087



CONSTANTINE
 Serving Woodworkers Since 1812

2050 Eastchester Rd., Dpt. 35711, Bronx NY 10461



The Kreg Jig

DISCOVER THE POCKET HOLE ADVANTAGE

"Cuts project time in half, eliminates the need for an expensive arsenal of clamps and is simple to use. The Kreg Jig outperformed its competition by a wide margin. It's worth the investment."
 Wood Magazine, Jan. 1995



THE POCKET HOLE PROFESSIONAL
 Discover the pocket hole secret for yourself. 30 day trial. Order today! Free catalog!
 800-447-8638

ROLLTOP DESK

1850 ABNER CUTLER REPRODUCTION
 Introducing the finest plan on the market today! Pages of directions and 36 by 48 CAD generated plan. This desk has a curved tambour top which has become a classic.
 Dim. - 51 1/2 inches wide by 49 inches high by 30 inches



AMERICAN FURNITURE DESIGN
 P.O. BOX 300100 ESCONDIDO, CA 92030
 DESK PLAN \$21.95 +\$3.50 S&H
 CATALOG \$3.00
 760 743-6923

BEST CARVING SUPPLIES!



1000s of quality hand & power carving tools, books, kits, plus more. Fast friendly service, lowest price & satisfaction guaranteed. Join 1000's of happy customers, send \$2 for our 76 pg. color catalog.

Wood Carvers Supply, Inc.
 SERVING CARVERS SINCE 1955
 P.O. Box 7500-G,
 Englewood, FL 34295-7500

Circle No. 1855

Circle No. 2175

Circle No. 20, 110, 210

Circle No. 314

Circle No. 1367

Circle No. 2160

S. LaRose, Inc.
 1100 West 10th Street
 Greensboro, NC 27420

If you're building the outsides, we've got the insides! Call or write for our FREE clock parts catalog, #W2

S. LaRose, Inc.
 P.O. Box 21208
 3223 Yanceyville St.
 Greensboro, NC 27420
 (910) 621-1936
 E-Mail: SLAROSE@worldnet.att.net
 www.slarose.com

Circle No. 2375

FROM LOG TO LUMBER
 with the *Alaskan Saw Mill* attachment
 (available in 24", 30", 48" and 56" sizes)
 As seen in June 97 issue of Wood Magazine

CUT LUMBER ON SITE WITH THE ALASKAN MKIII: BEAMS, BOARDS, SIDING AND CUSTOM CUTS.

RIPPING CHAIN AND OILER KITS ALSO AVAILABLE

GRANBERG
 PO BOX 425 RICHMOND, CA 94807-70425
 PHONE 510.237.2099 OUTSIDE CA. 800.233.6499
 FAX 510.237.1667
 E-MAIL granberg@aol.com
 INTERNATIONAL <http://members.aol.com/granberg/chainsaw/index.htm>

Shops • Garages • Storage

Buy Manufacturer Direct - SAVE THOUSANDS!

Limited Offer

30'x36' \$8,555 Value
NOW \$4,379

Circle No. 52

Woodworking on the World Wide Web

Better Homes and Gardens®

WOOD ONLINE™

A WOODWORKING INFORMATION SERVICE FROM THE EDITORS OF WOOD® MAGAZINE

<http://woodmagazine.com>

The Original **Murphy Bed™** & Wall System.

BY DAY

BY NIGHT
 A BEDROOM & BED

WRITE OR CALL FOR FREE BROCHURE 1-800-845-2337

MURPHY BED CO. INC.
 42 Central Ave.
 Farmingdale, NY 11735

36'x48' \$13,400 Value
NOW \$6,855

- Easy Do-It-Yourself Construction
- Toll Free Technical Support
- Immediate Delivery or Free Storage

Pckgs. include steel frames & endwalls, sheeting & trim. Some other sizes available.

MIRACLETRUSS®

1-800-843-8275
 FAX 612-544-1835 WOOD

Circle No. 1961

FURNITURE KITS • COMPONENTS

Table

Our Heirloom-Quality kits are produced from the finest grade 100% SOLID Maple, Oak, Cherry, and Mahogany. Many varieties of tables, desks, computer hutches and more are available, and there's even a design-your-own-kit program.

We also offer many separate component parts such as legs to use on your own projects. Delivery is fast and satisfaction is guaranteed.

Queen Anne • Contemporary • Ball-N-Claw

Call or FAX today for FREE LITERATURE (804)847-8489 (804)847-8984 - FAX

HICKORY FRAME CORPORATION
 P.O. Box 11585
 Lynchburg, VA 24506-1585

Circle No. 1043

Supergrit® SANDPAPER

HOOK & LOOP

4 1/2"	8 Hole	\$10.00/50
5"	5 or 8 Hole	\$12.50/50
6"	6 Hole	\$17.50/50
5"	Solid "E"	\$15.00/50
6"	Solid "E"	\$18.00/50
12"	Solid "E"	\$12.00/6

BELTS—A.O. RESIN

1 x 30 \$.75	4 x 24 \$ 1.10
1 x 42 \$.75	4 x 36 \$ 1.40
3 x 21 \$.85	6 x 48 \$ 3.50
3 x 24 \$.90	6 x 89 \$ 6.20

SHEETS—9" x 11", A.O.

60D, 80D	\$14/50
120C, 150C	\$23/100
180A, 220A	\$19/100

ABRASIVE ROLLS

RED HILL CORP. FREE 28 PAGE CATALOG & Incredible close-out sheets.
 P.O. BOX 4234
 GETTYSBURG, PA 17325 800-822-4003

Circle No. 1267

FREE! CherryTree Woodcrafting Catalog

ADVENT CALENDAR & dozens more NEW craft projects!

Hundreds of hard to find Wood Parts plus Tools, Plans, Clock Movements, Toys, Whirligigs, Paints, Brushes and more, at affordable prices with guaranteed quality & Fast delivery!

NAME: _____
 ADDRESS: _____
 CITY: _____
 STATE: _____ ZIP: _____

Cherry Tree • Box 369-W117
 Belmont, OH. 43718-0369
 or call TOLL FREE
 1-800-848-4363 ext. W117

Circle No. 498

Mail Coupon Today!

Over 1,000 Plans for Woodworkers!

Send \$2.00 for new 100 page FULL COLOR Catalog.

Please print clearly

Name _____
 Address _____
 City _____ State _____ Zip _____

MEISEL
 Meisel Hardware Specialties
 P.O. Box 70 W
 Mound, MN 55364-0070

Circle No. 401

Glider Swing Plans and Hardware Kits

- Smooth Glider-Rocker Action.
- Unique Twin Ball-bearing Design.
- Easy to Build!

A GREAT WEEKEND PROJECT!

Step-by-step instructions with full-size patterns & professionally drawn diagrams - plus plans for matching chair. Kit includes 16 ball-bearings, nuts, bolts and woodscrews.

Call for a free brochure: 1-800-510-9997.

Woody™ Glider Swings
 16630 Longview Dr. • Smithfield, VA 23430

Circle No. 1420

Create a Masterpiece!

America's Best Selection

- PRE-CUT KITS
- MOVEMENTS
- WOOD PARTS & FINE HARDWARE



Made in U.S.A.

FREE Clockmaker's Kit Catalog!

Call Today! 800-236-7300

The American Clockmaker

P.O. Box 326
Clintonville, WI 54929

Since 1940

Circle No. 2320

Makita

4303C 6 amp, 6 position Elec. Spd. Control Jigsaw **SALE \$169** 

9741 Wheel Sander \$169
3612C 3hp Pl. Router w/Brake .. \$258
AF501 2" Brad Nailer \$179
2711 10" Table Saw \$499
LS1011 10" Sliding Comp. Saw .. \$399
5007NBAF 7 1/4" Circ Saw w/Elec. Brake & FREE Framing Square .. \$129
MAC2000 2 hp Twin Stack Compressor \$398
LS1013 NEW 10" Dual Slide Compound \$598
LS1211 Dual Slide 12" Compound Miter \$759
6233DWAE 14.4v Cordless Drill w/ 2 Batteries \$198

BOSTITCH

N60FN Kit Finish Nailer w/ Case & Nails **SALE \$288** 

BOSCH

3725DVS 3.3 amp 5" Random Orbit Sander **SALE \$145** 

B1350 1-3/4hp 10amp 2hndl Router \$119
1295DH Swiftsand Dual Range Sander-Polisher \$88
3610K 14.4 V Dbl Battery Drill Kit \$189
3310K 12 V Driver Drill Kit \$169
3915 10" Dual Slide Comp Saw \$579
B2300K 12 V Dbl. Batt. Drill Kit \$139
1001VSR 3/8" V/S Drill \$59
1613EVS 2 hp V/S Plunge Router .. \$198

1-800-262-5482

SAME DAY SHIPPING
FREE FREIGHT

HOME LUMBER co.

P.O. Box 370
C.O.D. Whitewater, WI 53190


DEWALT

DW991K2 14.4 V Double Battery Drill Kit **SALE \$199** 

NEW DEWALT BENCH TOPS

DW788 20" Scroll Saw \$488
DW733 12" Anti Skip Planer \$455
DW708 12" Dual Slide Comp Saw \$677
DW744 10" H.D. Table Saw \$555
DW412 2 Amp Palm Sander \$59
DW621 2 hp V/S Plunge Router .. \$218
DW321K "Clic" Jig Saw \$159
DW705 12" Compound Miter Saw \$349
DW935 14.4v Cordless Trim Saw \$149
DW911KS-2 14.4v Drill/Saw Kit .. \$348
DW995K 18v 1/2" Driver Drill Kit ... \$228
DW421 Random Orbit Sander \$73

ITW Paslode

IM250 Trimpulse Cordless Finish Kit \$539 

We Have The Largest Assortment of DeWalt & Makita in the U.S.A.

Circle No. 418

Full-Size Professional Plan **LIBRARY CHAIR/STEPS**



Build this unique reproduction! American Empire in styling, this beautiful combination chair or library steps doubles as extra chair or sturdy steps for reaching shelves. As Chair: 17 1/4" wide, 18" deep, 33 1/2" high. As Steps: 33 1/2" high.

Plan #714 \$16.50 (catalog free with order)

CATALOG listing 200 full size professional furniture plans — \$3.00  

FURNITURE DESIGNS, INC., Dept. BC-117
1827 Elmdale Ave., Glenview, IL 60025
(800) 657-7692

Circle No. 345

WOOD TOY



- ★ Patterns
- ★ Parts
- ★ Wheels
- ★ Many New Patterns to Choose from.
- ★ Executive toys



SEND \$1.00 FOR NEW CATALOG

toys and joys

Box 628 w Lynden, Wash. 98264

Circle No. 465

HARDWOODS

Over 100 Quality Hardwoods from Around the World
LUMBER • VENEER • TURNING STOCK

- Timbers from Protected Forests •
- Quantity Discounts •
- Prompt Shipping Arranged Worldwide •
- Custom Milling—Lumber Cut to Size •
- All Inquiries Welcome •

Call or Write for a Free Catalog • Satisfaction Guaranteed •

Visit us on the World Wide Web www.woodworkerssource.com for Specials, Current Prices and Complete Wood Descriptions
e-mail: wood@woodworkerssource.com

1-800-423-2450
WOODWORKERS Source
5402 S. 40th St. • Phoenix, AZ 85040

Circle No. 598, 2090

OVER 1500 PATTERNS

Huge variety of FULL SIZE woodcraft patterns!



Fun • Profitable • Fast Service • Guaranteed

Pick from our most popular pattern sets & order today!

EACH SET INCLUDES:

- Full Size Patterns
- Sketches
- Step by Step Instructions
- Painting & Finishing Info
- Plus Tips & Technical!

FREE S&H

ACCENTS Dept. MA117 P.O. Box 7387 Gonic, NH 03839

Send \$8.00 per set or...SAVE! Pick 3 for \$19.50 • 6 for \$36.00 or All 12 for only \$60.00!

CALL TODAY! 24 Hr. Fax-Voice Mail (603) 332-4579

ILLUSTR. CATALOG \$2.00 (Free with order) Mention offer # MA117

Circle No. 310

ONE-MAN SAWMILL

Turns Your Timber Into **CASH!**



30-Day Free Trial!

Call NOW for FREE FACTS!

1-800-942-4406 ext. SW46

TIMBERKING, INC. Dept. SW46
1431 N. TOPPING, KANSAS CITY, MO 64120

WIRELESS DRIVEWAY ALARM



A bell rings in your house anytime someone walks or drives into your place.

- Free Literature -

A complete line of wireless security equipment.

DAKOTA ALERT, INC.
BOX 130, ELK POINT, SD 57025
Ph: 605-356-2772

Circle No. 1914

Quality **MECHANISMS** For Making **WOODEN BARREL**

- Pens
- Pencils
- Roller Balls
- Fountain Pens

plus other related items.

Wholesale/Retail

Call or Write:

BereanHardWoods.co
6387 Eastland Rd. Brookpark, Ohio 44142
216-234-7949 Master Card/Visa

Circle No. 510

The Japan Woodworker's Catalog is...

loaded with the best tools you can get your hands on. In our catalog you will find a huge selection of Japanese saws, waterstones, chisels, planes, carving tools, cutlery and books. Send \$2.00 for our catalog and supplements during the next two years.

THE JAPAN WOODWORKER
1731 Clement E-32, Alameda, CA 94501
Phone 1-800-537-7820

Circle No. 190

Free Sale Flyer

Cabinet and Furniture Hardware

Huge selection of hardware for kitchens, cabinets, furniture, entertainment centers, computer work-stations and countless other applications available from stock.



Call 800-383-0130

Woodworker's **HARDWARE**
PO Box 180 Sauk Rapids, MN 56379

Circle No. 960

Free Workshops • Prizes • Hundreds of Products • Seminars by Mastercraftsmen

See the Widest Variety of Woodworking Products All Under One Roof!



★THE **WOODWORKING SHOWS**★
tools • supplies • education

THE NATION'S PREMIER WOODWORKING TOUR

VISIT THE SHOW NEAR YOU!

- Atlanta
- Baltimore
- Charlotte
- Chicago
- Cleveland
- Colorado
- Columbus
- Detroit
- Harrisburg
- Houston
- Indianapolis
- Kansas City
- Massachusetts
- Milwaukee
- Nashville
- New England
- No. California
- North Jersey
- Oregon
- Sacramento
- Seattle
- So. California
- St. Louis
- Tampa
- Twin Cities
- Washington, D.C.
- plus others!

Call for free brochure Monday - Friday 8:30 am - 5 pm Pacific Time
1-800-826-8257 or 310-477-8521 e-mail: woodshow@earthlink.net

Circle No. 2900

RIP AW

The Portable Sawmill.

The "affordable portable" one man band sawmill. Weighs only 45 lbs. Cuts 20" diameter logs into lumber. Minimum 1/8" to maximum 9" thickness. 14"W x 9"H throat capacity. Write or call for free brochure. Videos also available.



Better Built CORPORATION

(508) 657-5636

789 Woburn St., Dept. WD11, Wilmington, MA 01887



Classic Heirloom Cradle

You can easily build this classic cradle which will become a cherished family heirloom to pass from generation to generation. Two sizes available... Baby or Doll.



Full Size Plans

Baby size Plan (21 x 35) \$14.95 ppd.
Doll size Plan (10 x 18) \$8.95 ppd.

Spindles available in Oak or Maple. See our catalog which is sent free with your order.

M/C VISA orders call toll-free 1-800-292-8296

ARMOR Box 445 A, East Northport, NY 11731

Circle No. 315

WOODCRAFTERS

OF OKLAHOMA

Largest & Best Selection ANYWHERE:



- ✓ TURNING TOOLS
- ✓ PENS/PENCILS
- ✓ TURNING BLOCKS & SQUARES
- ✓ PEN BLANKS

116 S. E. 74th • Oklahoma City, OK 73149
TOLL FREE 888-333-7513

Circle No. 2195

Oscillating Spindle Sanders for discriminating woodworkers who demand the best

FREE Color Catalog
1-800-971-5050

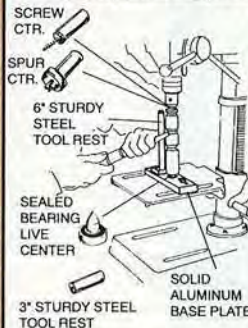


CLAYTON
MADE IN USA

Circle No. 18

VERTILATHE

Turn your drill press into a lathe



Fine quality construction. Can do spindles from 3/8" to 4" dia. and 12" long. 3" and 6" tool rests. A screw center and spur center. Ball bearing live center set in cast aluminum base plate that bolts to drill press table. Great for pen and pencil turnings.

Guaranteed to satisfy or your money back.
\$39.95 + \$5 S&H.

G. H. DEVINE, INC.
306 ALBANY AVENUE
KINGSTON, NY 12401

TO ORDER CALL 1-914-338-7621

Circle No. 315

The SandDevil

A HOT New Idea For Hand Sanding!



\$14.99 plus \$3.00 P&H

Quick Change Sanding Block Uses Standard 3" x 21" Sanding Belts!

- New-easy snap insertion
- Multiple angles
- Tough thermoplastic rubber
- Use even in tight places
- 1 free sanding belt
- Outlasts sandpaper
- Easy belt rotate & advance 12 times

Beloff-Pappas Co.

133 Eaton Ave., Meriden, CT 06451
1-800-974-3557 & Fax 203-235-1343



Circle No. 205

NEW! WOOD ENGRAVER



* MAKE SIGNS IN MINUTES
* YOUR OWN SMALL BUSINESS
* MAKE MONEY THE FIRST DAY

FULL PKG. \$695
FULL PKG-YOUR ROUTER \$595

FULL PKG: COMPLETE MACHINE • RYOBI ROUTER • 2" TEM-PLATES • ROUTER BIT • DUST ATTACHMENT

WRITE : WOODWORKER MACHINE CO.
1102 NOBLE OAKS DRIVE
SAVANNAH, GA 31406
<http://www.coca.net/business/woodworker>

Circle No. 2195

FREE Clockmaking Catalog

Clocks Make Great Gifts!

Our New Fall Catalog is filled with clock kits, movements, plans, accessories, and much more for woodworkers of every skill level. Send for your FREE catalog now and start ordering supplies for those special birthday and holiday gifts. A handcrafted clock is destined to become a treasured family heirloom.



Send for your FREE catalog today.
Or call 1-800-556-2548.

Name _____

Address _____

City _____

State _____ Zip _____

KLOCKIT

Dept. WD117

P.O. Box 636, Lake Geneva, WI 53147
<http://www.klockit.com>

Circle No. 2335

WOODLINE ARIZONA, Inc

P.O. Box 1530 • Payson, AZ 85547

- All Major Credit Cards Accepted
- Shipping is only \$3.75 per order
- 24 hours a day * 7 days a week

1-800-472-6950

Great Router Bits! & Shaper Cutters



One-piece RAIL & STILE CUTTER, raise bit 3/8" to make matching cut. Available in Ogee, Roundover, and Cove & Bead profiles • Great fit! • No changing bits or reversing the pieces.

PANEL RAISER W/ UNDERCUTTER, 3 profiles: Ogee, 15° Face Cut, and Convex avail. Tongue thickness perfectly matches groove in Rail & Stile—everytime!

Best Buy!

BOTH RAIL & STILE CUTTER & PANEL RAISER W/ UNDERCUTTER.

ONLY \$95.00 or \$49.00 ea

SUPER BUY!

Great sets in attractive wooden boxes! Available in 1/4" and 1/2" shank

\$49.00

- 8 pc. Joint Making Set
- 2 Straight Bits, 6 Dovetails
- 6 pc. Roundover Set
- 1/8", 3/16", 1/4", 5/16", 3/8", 1/2" radius
- 5 pc. Cove Set
- 3/16", 1/4", 5/16", 3/8", 1/2" radius

SUPER SALE!

Cutters & Bearing Sets (to change depth of cut) Two-Flute Cutters avail. in 1/4" or 1/2" shank. Allen wrench included.

Priced at only \$15.00 ea

SAVE \$6. \$39.00 Set of 3

- 5/32" Kerf w/ 3 bearings, cuts slot to fit all biscuit sizes. Sample bag of biscuits incl.
- Rabbeting Bit w/ 4 bearings for rabbets of 1/4", 5/16", 3/8" & 1/2" depth
- 1/4" Kerf Slot Cutter w/4 bearings cut slots 1/4", 5/16", 3/8" & 1/2" depth

Best Prices • Same Day Service • Super Selection
32-page Catalog included with every order

Circle No. 1395

OWN A MACHINE SHOP

The Smithy 3-in-1 lathe-mill-drill gives you all 3 basic machine tools in one easy-to-use benchtop machine. Save time, money. For home or business.



Call for your FREE Info Pak.

FREE Info Pak **1-800-345-6342**

Ask for operator WOODM711

or write **Smithy** Dept. WOODM711 PO Box 1517 Ann Arbor, MI 48106-1517

Circle No. 99

Buckboard Bench Kit (Real Springs)



Kit Includes: Authentically designed steel springs that give a little, steel arms and backrails, complete hardware and full-size plans with detailed instructions. 42"Lx22"W, 18"H to Seat, 30"H to Back

Price: \$49.00 (Quantity discounts available)
Pre-cut & drilled oak: \$70.00 Additional

The Roudebush Company
PO Box 348A, Star City, IN 46985
800-847-4947

Visa, MC accepted. Price includes shipping UPS

Make Your Own Lumber!

WITH A WOOD-MIZER PORTABLE SAWMILL

• Sawing your own lumber lowers costs and improves quality.

• All-products mill, kiln, and edger catalog* \$2.00; Video and profitability booklet: \$10.00. *Catalog has mill specs

LT25 mills without trailer from: **\$7205!**



Over 15,000 Sawmills World-Wide!

1-800-553-0219
EIGHT BRANCHES IN CANADA AND THE U.S.A.

Wood-Mizer Products, Inc. 8180 W. 10th St., Dept. 00111; Indpls., IN 46214-2400

Circle No. 94

Anderson™ BEDROOM ORGANIZER

FITS UNDER BOX SPRING UNDERBED DRESSER

REPLACES BED FRAME FACTORY DIRECT CEDAR DRAWER LINERS

6 FT. LONG DRAWER up to 16 DRAWERS

PULL A DRESSER UNDER ANY BED

Increase drawer storage with this beautiful, top quality, solid wood, dust proof, underbed dresser. Fits under any mattress. Shipped UPS

ORDER 48 PAGE CATALOG 621

1-800-782-4825

Circle No. 1795

WorkBench Organizer™

For Windows 95

The Complete Workshop Companion!

Software to help organize your woodworking hobby or small business.



- Create Project Cutting Lists and Bill of Materials
- Track Projects, Customers, Vendors, Materials and Tools
- Create an Article Index
- Project Planner
- Invoices and Purchase Orders
- Track Income and Expenses
- Create Mailing Lists
- Generate Project Quotes and much more!

Only... **\$69.95** Plus Shipping

(800) 257-9782
J & J Software, Inc.

pierced tin

Add that Distinctive Look to your woodworking projects. Quality handcrafted yet reasonably priced panels. Many finishes & designs. Do it-yourself materials & kits, too! Large colorful catalog \$5.00/catalog with 12 pc. sample pack \$19.95 ppd.

MasterCard/Visa accepted.



Country Accents® P O Box 437, Dept. WD-97, Montoursville, PA 17754 • Ph. 717-478-4127 • M-F 9-5

Circle No. 1910

Heavy Glass Table Tops

FACTORY DIRECT DISCOUNT PRICING



- Table Tops
- Shelves
- Doors
- Display Cases
- Entertainment Centers
- Tempered Glass

WGB GLASS ■ SHAPES ■ THICKNESSES ■ EDGE DESIGNS

TABLE TOPS BY PHONE SATISFACTION GUARANTEED!

FOR FREE IDEA CATALOG AND PRICE LIST SEND POST CARD TO:
WGB GLASS 19785 W. 12 MILE RD., STE. 357 SOUTHFIELD, MI 48076

TO PLACE ORDERS: CALL 1-800-288-6854

Circle No. 2079


NEW! only \$5.99!

How to Carve Wood

Learn how in this exciting project magazine for every carver. Decoys, Santas, signs, animals, furniture + more. 100's of how-to photos - 80 pages Full Color Sample copy only \$5.99 ppd.

Satisfaction Guaranteed!

Please send check or money order to:
Wood Carving Illustrated Magazine
1970 Broad Street
East Petersburg, PA 17520
Toll Free 1-800-457-9112 (Visa/MC)
Internet: www.CarvingWorld.com



FREE TOOL CATALOG

Helping You Become a Better Woodworker



highland hardware

Our giant tool catalog gives more than just manufacturer's specs. We provide detailed tool descriptions, useful techniques, as well as a schedule of educational seminars.

Call toll free for FREE catalog **1-888-500-4466**

Visit us on the Internet at <http://www.highland-hardware.com>



Circle No. 870

AMAZING SCROLLSAW FRETWORK PATTERNS

Easy to advanced designs



Clocks
Photo frames
Jewelry boxes
Candle holders
Furniture

Clock movements
Plywood

Silhouettes on Christmas religion farming western nature transportation & more.

Books
Saw blades
Hardwoods

FREE catalog

WILDWOOD DESIGNS
P.O. Box 676-WD
Richland Center
WI 53581

1-800-470-9090

Circle No. 475

"Star Tools...Providing Quality Woodworking Machinery to Industry and Craftsmen...Featuring Machinery Designed and Built to Meet the Needs of Woodworkers Throughout America...Star Tools... Retail Warehouse and Showroom Located in Clarksburg, West Virginia."

HOLIDAY SALE

STAR TOOLS, LLC.

TOLL FREE

1-888-678-8777

MON - FRI, 7:00 AM - 5:00 PM (Pacific Time)

CALL FOR NEW STAR TOOLS CATALOG



14" X 40" SWIVEL HEAD LATHE

- 1/2 H.P. MOTOR 1725 RPM
- 6 SPEEDS
600-2100 RPM
- CAST IRON BED & HEADSTOCK
- QUICK RELEASE HEAD & TAILSTOCK



NEW

S4600
INTRODUCTORY PRICE
\$465.00

1-1/2 H.P. SHAPER

- 1-1/2 HP SHAPER
- 1/2" & 3/4" SPINDLES
- 2 SPEEDS



S3302
\$420.00

3 H.P. SHAPER

- 1/2" & 3/4" & 1" SPINDLES
- 2 SPEEDS/ REVERSIBLE



S3303
\$740.00

OSCILLATING SPINDLE SANDER

- 1 H.P. 110/ 220 VOLT
- 1725 RPM
- 24" X 24" TABLE TILTS 45°



S3407
\$465.00

12" 5 HP CABINET SAW

- S3206
SPECIAL INTRODUCTORY OFFER INCLUDES:
- TABLE SAW WITH 36" RIP
 - STAR LOCK FENCE WITH MICRO ADJUSTER
 - MOTOR COVER
 - BUILT IN 4" DUST PORT

NEW

SPECIAL INTRODUCTORY PRICE
\$1,475.00



(SHOWN WITH OPTIONAL MOBILE BASE)

10" CABINET SAW 3 H.P.

- MOTOR COVER
- MICRO ADJUSTER
- FREUD LU82 10"
- 36" RIP CAPACITY
- BUILT-IN 4" DUST PORT
- 220V MAGNETIC CONTROLS
- HEAVY DUTY TRUNNIONS

S3202
SPECIAL PRICE
\$995.00

AVAILABLE AT THE SAME PRICE 5 H.P. 3 PHASE

14-1/2" BANDSAW

- 3/4 H.P. 110/220 VOLTS
- 6" RESAW CAPACITY
- 1/8"-1" BLADE

NEW



S3501
\$275.00

20" BANDSAW

- 3 H.P. 220 VOLT
- 12" RESAW CAPACITY
- ROLLER GUIDES



S3506
\$1,195.00

EDGE SANDER

- 1-1/2 H.P. 110/220 VOLT
- 6" X 80" BELT SIZE
- SANDS VERTICALLY & HORIZONTALLY



S3406
\$465.00

25" DUAL DRUM SANDER

- 5 H.P. 220 VOLT
- 2 SPEEDS 11 & 17 FPM/ REVERSIBLE
- CAST IRON WORK TABLE



S3409
\$1,295.00

15" 3 H.P. PLANER

- 3 H.P. 220 VOLT
- 3 KNIFE CUTTERHEAD
- ADJUSTABLE BED ROLLERS



S3715
\$875.00

(SHOWN WITH OPTIONAL MOBILE BASE)

2 H.P. DUST COLLECTOR

- 220 VOLTS
- 1182 CFM
- FREE 10" CLEAR HOSE



S3820
\$250.00

NEW

8" JOINTER

- 2 H.P. 220 VOLT
- 3 KNIFE JACK SCREW CUTTERHEAD
- 8" X 65" BED LENGTH



S3107N
\$785.00



(JOINTERS SHOWN WITH OPTIONAL MOBILE BASE)

6" JOINTER

- 1-1/2 H.P. 110/220 VOLT
- 3 KNIFE JACK SCREW CUTTERHEAD
- 47" BED LENGTH



S3104N
\$485.00

PRICES & SPECIFICATIONS SUBJECT TO CHANGE WITHOUT NOTICE

ALL MACHINERY SHIPPED F.O.B. SANTA FE SPRINGS, CALIFORNIA OR CLARKSBURG, WEST VIRGINIA

MAIN OFFICE SHOW ROOM

9825 PIONEER BLVD.
SANTA FE SPRINGS, CA 90670
TEL: 562-654-3065
FAX: 562-654-3066

WEST COAST



EAST COAST SHIPPING WAREHOUSE SHOWROOM



12 ARMORY ROAD
CLARKSBURG, WV 26301
(TECH SUPPORT ONLY) TEL: 304-624-6685
FAX: 304-624-8928

WEST VIRGINIA STORE OPEN: 1st & 3rd SATURDAY, 9:00 a.m. - 1:00 p.m.



Hammerite finish ideal for shop fixtures

Wouldn't it be nice to put a finish on your shop cabinets that's tough enough to stand up to everyday dings and gouges? I recently tried a paint that many machine manufacturers have used for years to protect tools from wear and tear.

Hammerite Hammered Metal Finish produces a glossy, pebbled finish, and comes in a dozen metallic colors. Originally designed as a one-step, anti-rust coating for metal, it contains tiny particles of tempered glass and aluminum that give the paint a super-tough finish when it cures completely.

I used Hammerite finish on several IDEA SHOP™ 3 cabinets and fixtures that were made from inexpensive medium-density fiberboard (MDF) and particle-board. After sealing the edges with oil-based primer, I applied the paint with a short-napped, cut-pile roller. Hammerite goes on thick enough in one

coat to hide minor imperfections in the wood, and lap marks easily blend together.

While it dries to the touch in 30 minutes and can be handled after drying overnight, it takes six weeks for Hammerite to cure fully. But the custom appearance and extreme durability make it worth the wait.

—Tested by Jan Hale Svec



PRODUCT SCORECARD

Hammerite Hammered Metal Finish	
Performance	★ ★ ★ ★ ★
Price	About \$12.50 per quart
Value	★ ★ ★ ★ ★
Hammerite Products, P.O. Box 11047, Tacoma, WA 98409. Call 800/733-4413.	

Put disposable knives in any jointer or planer

Have you ever put off changing the knives in your planer or jointer because of the struggle it takes to get them reset perfectly? Have you wished for a disposable knife system like those available on some of the newer 12" portable planers? Well, your wish—and mine—has been granted.

Esta-USA offers a disposable knife system that enables you to retrofit virtually any planer or jointer, from the smallest benchtop units to 36" industrial models. With the Dispoz-A-Blade system, you replace the original knives

with two-piece units comprised of a knife holder and a twin-edged, disposable knife.

You adjust the knife height for the system only once. For subsequent knife changes, you simply loosen the gibs, slide the holders out, flip the knives over or replace them with a new set. Then, you reinstall the holders in the cutterhead, and tighten down the gibs. The knives fit over two alignment pins on the holder, and two small magnets in the face of the holder keep the knives in position.

You should be able to change knives and be back up and running in 10-15 minutes. Just try doing that with your regular knives!

The knives, available in high-speed steel and cobalt, come with an unbelievably sharp edge. The high-speed steel set I installed in my 12" Belsaw planer produced the finest cut of any knives I've used. Such a fine edge nicks easily, but if you do nick the knives, simply

shift them slightly to offset the nicks and maintain a smooth cut. Deep nicks require switching edges or buying new knives, since they can't be resharpened.

The cost to retrofit my planer with three holders and knives was \$173, including shipping and handling. A three-piece set of twin-edged replacement knives runs only \$60—what original equipment knives cost. That's also about what I'd expect to pay to have the three 12" original knives resharpened twice, at a cost of \$10 per knife. But even if they cost more, the Dispoz-A-Blade knives would be worth it in the time they save you if you mill a lot of lumber.

—Tested by Dave Henderson



PRODUCT SCORECARD

Esta-USA Dispoz-A-Blade jointer and planer knife retrofit system	
Performance	★ ★ ★ ★ ★
Price	\$173 as tested
Value	★ ★ ★ ★ ★
Esta-USA, Hillside Road, Barryville, NY 12719. Call 914/557-8092.	

Continued on page 114

See how you can be the woodworker you've always dreamed of being.

Learn how to enjoy the benefits of woodworking:

- ✓ Create Family Heirlooms
- ✓ Do It Yourself - Save on Repairs and Home Improvements
- ✓ Have Fun and Relieve Stress
- ✓ Make Money



Performax Drum Sanders continue to make those once-difficult sanding jobs easy.

New, solid, steel In-feed and Out-feed Tables are now available for all 16-32 models at a **Special Introductory Price of \$79.95**. Multiple craft pieces, as short as 2 1/4", and veneers as thin as 1/64th" can be sanded more efficiently with an additional 3 sq. feet of workspace. The in-feed and out-feed support is also a real advantage for easier handling of longer, rough-sawn boards.

Just Get It...FREE! For a limited time the In-feed and Out-feed Tables are yours with the purchase of a 16-32 Plus Drum Sander. So if you're still wrestling with a belt sander, see your Performax Dealer today for a demonstration of how easy sanding can be with a Performax Drum Sander. **Call 1-800-334-4910 for a FREE brochure and the dealer nearest you.**



12257 Nicollet Ave So. • Burnsville, MN 55337 • (612) 895-9922



The Shopsmith MARK V System

5 of the most popular woodworking tools in one compact unit.

- ▶ SAWING
- ▶ DRILLING
- ▶ SANDING
- ▶ BORING
- ▶ TURNING



To receive your **FREE VIDEO** information kit call or write: **1-800-543-7586**



Shopsmith Inc.
6530 Poe Avenue
Dayton, OH 45414

E-Mail us at: <http://www.shopsmith.com>

Circle No. 78

Circle No. 650

We're Back...THE SUPER LOW PRICE TOOL STORE!

PORTER-CABLE
PROFESSIONAL POWER TOOLS

Router \$135

90690	1.5 hp Router w/ case	157
1000	7/8 hp Router	106
2620	3/8" Drill	95
2821	3/8" Drill Keyless	95
310	Laminate Trimmer	145
314	4 1/2" Trim saw	149
333	RO Sander 5" PSA	63
334	RO Sander 5" H&L	63
335	NEW! 6" RO Sander	87
345	Saw Boss	117
347K	7 1/4" Saw w/ case	127
351	3X2 Sander	164
352	3X2 Sander w/ bag	164
360	3X2 Sander w/ bag	211
360VS	NEW! VS Sander	228
361	3X24 Sander	202
362	4X24 Sander w/ bag	213
362VS	NEW! VS Sander	238
363	4X24 Belt Sander	238
447K	7 1/4" Saw w/ case	136
548	Wormgear Jigsaw	229
5116	18" Dovetail Jig	276
556	Biscuit Joiner	131
6514	1 1/2" Drill	118
6515	1.5hp Plunge Router	77
6531	Plunge Base	228
657	Router Table & motor	227
658	Router Table only	133
7334	4" RO Sander	108
743K	7 1/4" Frame saw	128
7519	3 hp Router	258
7536	2 hp Router	222
7537	2 hp D-Handle RTR	222
7538	3 hp Plunge Router	269
7800	Drywall sander	325
7810	Vacuum	257
9118	3 1/4" Planer Kit	228
9314	Trim Saw Kit	168
9345	Sawboss w/ case	133
9444	Profile Sander	95
97310	Trimmer Kit	187
97335	5" RO Sander w/ case	117

NEW Porter-Cable NAILGUNS!!!

BN125	1 1/4" Brad Nailer	86
BN200	2" Brad Nailer	133
FN200	2" Finish Gun	154
FN250A	2 1/2" 16g Finish	189
DA250A	2 1/2" angle Finish	245
NS150	1 1/4" crown Stapler	156
FR350	Framing Nailer	299

freud

5 pc Router Bit Cabinet Set \$165

LUB8M010	10" 80T Finish	56
LUB4M011	10" 50T Combo	36
LM72M010	10" 24T Rip	36
LUB8M015	15" 108T Finish	99
LUB2M010	10" 60T Chipbird	43
LUB9M010	10" 72T Aluminum	57
LUB2M010	10" 60T Corian	58
LUB8M010	10" 80T Laminates	67
LUB73M010	10" 60T Crosscut	44

Construction Master IV
The NEW!!! world's best feet-inch-metric-fraction calculator. Solves realtors hips, valleys, stairs

\$69

Pockethole maker \$109

KREG JIG for joining facelrames, butt joints and other pocket hole applications
Extra Drill bit \$15.95
Face Clamp \$15.95
Driver Bit \$2.95

Makita

LS1211 12" Compound Miter Saw \$758

LS1013 NEW! 10" Slide Compound Miter 2-Rail System \$77

3606	1 hp Router	106
6213A	1 1/4" hp Plunge Rtr	159
4201A	4 3/8" Trim Saw	169
4304	Jig Saw	159
4305	Jig Saw	156
6213DWAE	3/8" 12V Cordl	178
6233DWAE	3/8" 14V Cordl	198
6313DWAE	1 1/2" 12V Cordl	196
6333DWAE	1 1/2" 14V Cordl	213
9924DB	3X24 Beltsander	188
AN8300	Framing Nailer	326
LS1030	10" Miter Saw	199
LS1040	10" Compound Saw	268

TRU-CRIP

Clamp 'n Tool Back-to-Back Bench Clamp

50C	\$ 29.50	BB60	\$ 45.95
36C	26.50	BB36	37.95
24C	22.50	BB18	31.95

Panasonic

NEW! 100EQKW NEW! PREDATOR 12 V CORDLESS DRILL IRONMAN \$178

EY6101EQKW 1/2" chuck IRONMAN 2 batteries \$225

Milwaukee

6496-6 10" Compound Slide Miter \$568

6497	Delux 6496	648
0234-6	1/2" Magnum Drill	128
0244-6	0-500 rpm Magnum	147
0375-6	3/8" Close Cut Drill	147
0379-6	1/2" Close Cut Drill	164
0415-22	12V Cordless Kit	223
0479-6	1 1/2" R/Angle Cordless	243
0511-21	14V Cordless	210
3107-1	VS Rt Angle Drill	233
5542	2" Polisher	194
5892	2 1/2" Router	164
6020-20	6" RO Sander	153
6025-20	5" RO Sander	134
6101-6	NEW Bandfile	193
6215	Elec. Chainsaw	230
6295	NEW! Jig Saw	149
6494-6	10" Compound Mtr	314
6516-21	18V Cordless Sawzall	294
6517-20	NEW! Quikok Sawzall	154
6628	VS Super Sawzall	184
6647-1	Screwdriver Kit	107
6767-1	Screwdriver Kit	135

RYOBI

AP10 Replacement Blades \$24.95

DC500K	Detail Carver	62
H120VSK	MULTI TOOL	56
JM80K	Biscuit Cutter	99
BE321	3X21 Belt Sander	138
RS115K	RO Sander Kit	69
DBJ50	Mini Biscuit Joiner	68
OS5450	Spindle Sander	158

BOSCH

B4200 \$129

VS

Orbital Jigsaw

1587VSK	Jig Saw Kit	189
1604AVX	1-3/4 hp Router	159
1606A	D-Handle Router	179
1609KX	Trim Kit	233
1943LED	Heat Gun	109
3283DVS	5" RO Sander	99
3915	Compound Miter	577
B1350	1 3/4 hp Router	109
B1450	2hp VS Plunge Rtr	179
B1550	3hp Router	199
94050	Inline Jig Saw	99
B7001	VS Detail Sander	78
B7100	1/3 sheet Sander	69

DEWALT

DW682K Biscuit Joiner \$198

DW106	3/8" Keyless Drill	73
DW306K	Recip Saw	163
DW321K	Jigsaw Kit	159
DW326K	7 1/4" Circ. Saw	129
DW364	7 1/4" Circ. Saw	161
DW420	5" PSA Ro Sand	74
DW431	3X21 Belt Sander	183
DW443	6" H&L Ro Sand	143
DW444	6"PSA RO Sand	144
DW610	1 1/2 hp Router	149
DW615	1 1/4 Plunge Rtr	162
DW621	2hp Plunge Rtr	214
DW625	3hp Plunge Rtr	269
DW670	Trim Router	96
DW673K	Trimmer Kit	187
DW675K	14V Cord's Saw	193
DW935K	Cord's Saw Kit	228
DW972K2	12V Cordl Drill	179
DW991K	14V Cordl Drill	198
DW991K2S	14V Combo Kit	329
DW995K2S	18V Combo Kit	369

DW705 12" Compound Miter \$358

FEIN Detail Sander

Kit w/ case & paper VS Mx636-2 \$194

Scrapers Blade attachment 15.95
30 pc assorted PSA paper 6.95

STABILA

LEVELS - Hand holes. Two vertical vials. Two milled faces. Yellow coat.

2464	24" w/ hand hole	42
2468	36" w/ hand hole	46
2467	48" w/ hand hole	54
2468	72" w/ hand hole	98
2859	NEW Laser Level	325
2659	6 ft 6" -vial	99
2700	6 ft 6" -vial	115
2701	8 ft -vial	125

HITACHI

C8FB2 COMPOUND SLIDE SAW \$477

C10FA	10" Miter Saw	299
C10FS	10" Slide Miter	737
C15FB	15" Miter Saw	658
NF83A	Framing Nailer	388
EC12	2hp Compressor	286

Special ABBEY TOOL offer for the first 100 orders from this ad...get this WOOD Magazine plan free

SENCO

SLP20 Brad nailer \$249

SLS20	Light Duty Stapler	249
SFN1+	2" Finish Gun	349
SFN40	2 1/2" Finish Gun	386
SKSL	1 1/4" Crown Stapler	274
SN65C	NEW! Frammer	459
SCN200R	Coil Reeler	359

AIRY NAIL GUNS 241SK

18 G 3/8-1-1/2" Kit	\$96	
E22	shoe nails & staples	148
250SK	18 G 3/4-2" Kit	161
685T	2-1/2" Finish Gun	202
628SK	1 1/4" Crown 1" Stapler Kit	103
350NK	2" 16G Brad Gun	169

Emqlo

AIR COMPRESSORS AM78HC4V 1 1/2 hp-2 tank 305

Rot-Air COMPRESSORS D1500HP5 1.5 hp 4.5 gal tank \$299

DELTA

37-070 \$258

6" Table Top Jointer

14-650	Hollow Morse Chsr	239
17-990	Oss.Sander Kit	79
22-540	12" Planer	358
23-710	Shapering Center	168
31-090	1" Belt 5" Disc Sander	88
31-460	4" Belt 6" Disc Sander	126
32-100	Plate Joiner	254
36-040	8" Compound Miter	149
36-090	Shutck 10" Miter Saw	218
36-210	10" Compound Mtr	248
40-150	15" Scroll Saw	115
40-660	16" Scroll Saw	169

BIESEMEYER

78-900	Commercial T50	324
78-930	Homeshop 28	238
78-931	Homeshop 40	258
78-935	Homeshop 52	268

USE VISA, MC, DISCOVER FREE SHIPPING on orders from this add over \$50. Within continental 48 states, HI and AK extra. Sales limited to stock on hand.

ABBIEY TOOLS

1-800-225-6321

1175 N. EAST, ANAHEIM CA. 92805
OPEN 8-5;30 WEEKDAYS 9-2 SATURDAY
Calif. residents add 7.75% state sales tax
SERVING YOU FOR OVER 20 YEARS
Prices subject to change without notice.

STEVE WALL LUMBER CO.

Quality Hardwoods and Woodworking machinery For The Craftsman and Educational Institutions

Ash	4/4	Select	2.15		\$73.00
Basswood	4/4	Select	1.80		\$59.00
Birch	4/4	Select	2.25		\$75.00
Butternut	4/4	1C	2.00		\$65.00
Cherry	4/4	Select	3.40		\$92.00
Hickory - Pecan	4/4	Select	1.85		\$67.00
Mahogany (Genuine)	4/4	Select	3.60		\$92.00
Maple (Hard)	4/4	Select	2.50		\$77.00
Maple (Soft)	4/4	Select	1.80		\$65.00
Poplar	4/4	Select	1.55		\$60.00
Red Oak	4/4	Select	2.35		\$76.00
Walnut	4/4	Select	3.25		\$91.00
White Oak	4/4	Select	2.35		\$75.00
Cedar (Aromatic Red)	4/4	1C+Btr.	1.60		\$62.00
Cypress	4/4	F.G.	2.15		\$70.00
White Pine	4/4	F.G.	1.10		\$51.00
Yellow Pine	4/4	Clear	1.60		\$61.00

Above prices are for 100' quantities of kilndried rough lumber sold by the Bd. Ft. FOB Mayodan, NC. Call for quantity discounts. Other sizes and grades available.

Above prices are 20 bd. ft. bundles of clear kilndried lumber 3"-10" wide x 3'-7" long (Random widths & lengths) Surfaced 2 sides or rough. Delivered UPS prepaid in the Continental U.S.

Circle No. 592

CUSTOM CABINET DOORS

Custom Raised Panel Doors and 1 Piece MDF Now Available.

4/4 Log Run Walnut 100 Bdft. \$145

STEVE H. WALL LUMBER CO.

BOX 287
MAYODAN, N.C. 27027
910-427-0637
1-800-633-4062
FAX 910-427-7588

Send \$1.00 For Lumber Catalog

Having Fun Making Money...

A Dream Come True for Woodworkers.



For Keith Hone, a Utah native, making money and having fun go hand in hand. Using the new ultra high speed engraving technology developed by the Paragraphics Corporation, Keith can engrave beautiful designs on virtually any surface. The demand for this type of work is tremendous!

It's fast... and easier than you might think!

With an easy-to-use stencil system, you can transfer any design, artwork, or logo to any hard surface. By simply tracing lines using the Paragrave handpiece spinning at speeds of over 300,000 rpm, you can create beautiful carvings and engravings and the system does the work for you. It's that simple!

Call 1-800-624-7415 and get your demonstration video today to learn more about how you can make money and have fun too!

Paragraphics
CORPORATION

1-800-624-7415

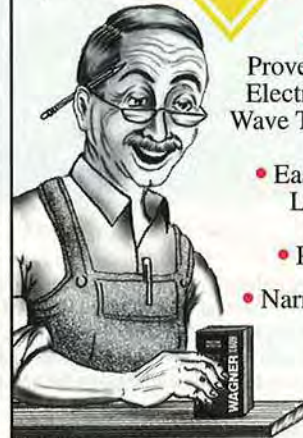
Circle No. 2160

1455 W. Center Orem, Ut 84057

WAGNER

Shopline L609 Moisture Meter

Packed With Value Priced Features



• Wagner's Proven Pin-Free Electromagnetic Wave Technology

• Easy To Read Led Display

• Pocket Size

• Narrow Sensor Ideal For Testing Moulding and Trim

It's So Easy to Use!

WAGNER ELECTRONICS

"The Moisture Meter People"

1-800-944-7078

326 Pine Grove Road
Rogue River, OR 97537
Tel: (541) 582-0541
Fax: (541) 582-4138



© 1997 Wagner Electronic Products, Inc.

Circle No. 1285

OWN THE COMPLETE HOME SHOP

Do the work of ten tools with one compact, affordable machine

- Work wood—and metal or plastic
- Easy and fun to use
- Built to last a lifetime



The perfect friend to relax with, the perfect partner to help get work done

SUPER SHOP 10 tools in 1

WOOD		METAL
34" Lathe	Drill press	Lathe
12" Table saw	Router	Mill
12" Disc sander	Shaper	Drill
Horizontal boring		

Each machine includes: Premium Tool Pak • Toll-free Helpline • 2-year Warranty

FREE Info Pak

1-800-345-6342

Ask for operator WDW711

or write



Dept. WDW711 PO Box 1517
Ann Arbor, MI 48106-1517

Circle No. 99

BE "THE BOSS" OF YOUR OWN NEW BUSINESS!

Send now for your free opportunity kit.
Get "hands-on" training in one of 14
profitable fields!

Learn to Earn!

The Federal Government projects the service sector of the economy will show tremendous growth over the next several decades. You can get your share of the profits when you become a "pro" in one of 14 high income professions. Professions that could easily earn you \$18 to \$30 per hour. Foley-Belsaw's unique training programs can make those dreams come true. The key to your success lies in providing a service that is in great demand. Foley-Belsaw training programs focus on fourteen fields where the demand is growing and will continue to grow through the twenty-first century! And with Foley-Belsaw's unique approach, you gain skills quickly in your spare time at home. You can even earn cash while you learn. There's no "classroom pressure" . . . no fierce competition . . . you set your own pace, your own study style. Foley-Belsaw also provides "extras" other courses don't offer: a 100% money-back guarantee; along with all the professional tools and equipment you need.



1 Locksmithing.

As millions of Americans demand greater protection, this becomes a high demand field.

2 Saw & Tool Sharpening.

A business where 90 cents out of every dollar you take in is cash profit! You'll earn \$18 to \$25 per hour running machines that do the work.

3 VCR Cleaning, Maintenance & Repair.

The VCR has become a basic part of nearly every American household. Make up to \$50 per hour in this fast growing field.

4 Upholstery.

As furniture prices rise and quality noticeably decreases, it makes good sense to pursue a career in upholstery.

5 Small Engine Service & Repair.

There are more than 65 million small engines in use today. You can make \$45 in just 1/2 hour for a simple tune-up and even more for many simple repairs.

6 Professional Woodworking.

Build over \$3,000 worth of valuable furniture while you learn! Create heirloom-quality furniture and save thousands on your own home repairs.

7 Computer Repair, Maintenance & Upgrade.

The computerization of America is taking place! Jump on a high paying occupation with an unlimited future.

8 Computer Programming.

Programmers with the right skills command top dollar. Learn computer languages.

9 TV/Satellite Dish.

The demand is growing for the variety in entertainment only a satellite dish can provide.

10 Gunsmithing.

Skilled gunsmiths charge up to \$50 per hour for simple repairs.

11 Vinyl Repair.

Just a few days' practice and you're ready to do repairs for pay. This process is easy and the demand never ends.

12 Computer Specialist.

Learn word processing, spreadsheet and data base applications.

13 Electrician.

In a business of your own or working in the commercial or residential field you can make top dollar.

14 Networking Specialists.

Learn the skills required to make big money tying Personal Computers together to make efficient operating systems.



YES! SEND ME THE
FOLLOWING
FREE
OPPORTUNITY KIT

CALL TOLL FREE
800-487-2100
FOR FREE INFORMATION PACKET!



Foley-Belsaw Institute

6301 Equitable Road • Kansas City, MO 64120

Please Check Only ONE of the Following:

- | | |
|--|--|
| <input type="checkbox"/> Locksmithing 13014 | <input type="checkbox"/> Computer Programmer 35430 |
| <input type="checkbox"/> Small Engine Repair 52890 | <input type="checkbox"/> TV/Satellite Dish 31483 |
| <input type="checkbox"/> Saw & Tool Sharpening 21826 | <input type="checkbox"/> Gunsmithing 92514 |
| <input type="checkbox"/> VCR Repair 62711 | <input type="checkbox"/> Vinyl Repair 71359 |
| <input type="checkbox"/> Upholstery 81428 | <input type="checkbox"/> Computer Specialist 38262 |
| <input type="checkbox"/> Woodworking 43758 | <input type="checkbox"/> Electrician 95285 |
| <input type="checkbox"/> Computer Repair 64612 | <input type="checkbox"/> Networking Specialist 39249 |

Name _____

Street _____

City _____

State _____

Zip _____

Or Call Toll-FREE 1-800-487-2100

Woodworkers Resource

You can get useful ideas and product information by mail. Use the coupon in this section to order your choice of literature listed below. Each company mails the catalogs or information directly to you.

POWER TOOLS

SCROLL SAW, CRAFT & WOODWORKING CATALOG—Our 1997 catalog features all models of HEGNER Precision Scroll Saws, the consistent choice of the experts. The catalog also contains complete information on scroll saw blades and accessories, books, and patterns, as well as information on the HEGNER Lathes & Duplicators, HEGNER Accura Combination Machine, HEGNER Fingerjoint Machine, ZYLISS Vise and PLANO Glue Press. **ADVANCED MACHINERY**. \$1.00. *Circle No. 3.*

CLAYTON MACHINE—Sand curved pieces with ease. New American-made oscillating spindle sander features many unique details. Quality built, for a lifetime of enjoyable and dependable service. Dust collector hook-up, ground steel top, dynamically balanced spindle with sealed oil-bath cam and quick change drums are all standard. Several models to choose from. Catalog. **CLAYTON MACHINE**. Free. *Circle No. 18.*

TOOLS AND ACCESSORIES—120 page color catalog features Porter-Cable routers, sanders, pocket hole cutters, and biscuit joiners, Tormek grinders, Vega lathe duplicators and saw fences, Vacu-Presses plus a huge selection of power tool accessories. Best quality, fairly priced, every tool backed by our 184 years' experience and 60-day money-back guarantee. **CONSTANTINE'S**. Free. *Circle No. 20.*

AT LAST! AN AFFORDABLE 14.4V CORDLESS DRILL—Forget paying \$200 or more for a quality 14.4-volt cordless drill. As part of a nationwide media campaign, the world's largest cordless drill manufacturer has authorized us to introduce their industrial 14.4v powerhouse at an unheard of \$69.95! Satisfaction guaranteed. **GREAT TOOLS DIRECT!** \$1.00. *Circle No. 43.*

HARBOR FREIGHT TOOLS CATALOG—The finest professional quality tools and equipment at the lowest prices...**GUARANTEED!** Our NEW Woodworking catalog has been expanded to contain hundreds of additional brand name woodworking tools & supplies. See why millions of woodworking professionals and Do-It-Yourselfers have shopped at Harbor Freight Tools for over 27 years. **HARBOR FREIGHT TOOLS**. Free. *Circle No. 46.*

HOME LUMBER—Ash, butternut, cherry, hickory, walnut flooring & paneling. Ironwood & paulownia decking. Delmhorst moisture meters. Calculated Industries scale masters. **JDS AIRTECH 2000**. Abatron Liquid Wood. Franklin glues. Minwax, General finishes. AllAbrasives. Amana carbides. Bostich, Paslode, Porter-Cable nailers. Bosch tools. Largest selection of DeWalt & Makita in USA. Same day shipping, free freight. Visa, MC, Discover. Catalog. **HOME LUMBER**. \$1.50. *Circle No. 48.*

INTERNATIONAL TOOL CORPORATION CATALOG—features the finest tools & accessories at the absolute lowest prices anywhere! Whether you're a home woodworker or an industrial user, you will find an incredible selection featuring Porter Cable, Bosch, Skil, Freud, Delta, Powermatic, Milwaukee, Makita, Hitachi, and many, many more. We offer same day shipping, the most knowledgeable sales staff and free shipping on most UPS orders in the contiguous U.S. **INTERNATIONAL TOOL CORP.** \$2.00. *Circle No. 49.*

ALASKAN SAW MILL ATTACHMENT—Granberg International manufactures a line of quality tools and accessories for grinding and filing chain saw chain, sharpening hedge trimmer blades, chain maintenance tools and horizontal and vertical saw mill attachments for your chain saw. Use the popular Alaskan Saw Mill attachment for milling lumber. Cut on site with the Alaskan and produce planks, beams, boards and slabs for building or woodworking projects. **GRANBERG INTERNATIONAL**. Free. *Circle No. 52.*

SURFACE PLANER—Information package available from Penn State Industries describing the specifications and applications of its super 1 1/2 inch surface planer. Special discount pricing available on current promotion. **PENN STATE INDUSTRIES**. Free. *Circle No. 75.*

DUST COLLECTOR SYSTEMS—Keep your shop clean and safe from saw dust with one of our large capacity Commercial Style Dust Collection Systems. Catalog features our new DC-3 1-1/2 H.P. Portable System. Free hose and adapters are supplied with any purchase. Full line of Dust Collection accessories is available from Penn State Industries. Catalog. **PENN STATE INDUSTRIES**. Free. *Circle No. 75.*

CATALOGUE OF UNIQUE PRODUCTS FOR THE WOODWORKER—Filled with products and projects you can't find anywhere else. The 36-page full-color catalog features our complete line of Dust Collectors and accessories, Air Cleaners, Air nailers, Scroll Saws, Planers, and the exclusive Carbatec II variable speed mini-lathe and more. Explore our full line of projects and supplies including—pen kits, letter openers, perfume kits, kaleidoscopes, glass candles, project wood, and featuring the new and exclusive penlight flashlight kit. **PENN STATE INDUSTRIES**. Free. *Circle No. 75.*

JUST GET IT... FREE!—For a limited time the In-feed and Out-feed Tables are yours with the purchase of a 16-32 Plus Drum Sander. So if you're still wrestling with a belt sander, see your Performax Dealer today for a demonstration of how easy sanding can be with a Performax Drum Sander. **PERFORMAX PRODUCTS**. 50c. *Circle No. 78.*

THE POWERMATIC CATALOG—Includes pictures, descriptions, and specifications of the complete Powermatic line of woodworking machinery. The catalog contains information on the heavy-duty production equipment as well as the Artisan line which is designed for the serious home woodworker. **POWERMATIC**. Free. *Circle No. 81.*

RBINDUSTRIES, WOODWORKING TOOLS & ACCESSORIES—100% Made in USA. The NEW 1996-1997 RBI catalog features the all new HAWK Precision ULTRA Scroll Saws, "4-in-1" and "3-in-1" Universal Woodplaner Systems, and 26" Variable Speed Drum Sander, 38" Drum Sander, the all NEW Panelmaster II Raised Panel Door Machine, Router Tables, Books, Accessories, Patterns, and Much More. When you buy from rbindustries, you're saving big money by buying factory-direct from one of America's premier woodworking tool manufacturers. We stand behind every piece of equipment we manufacturer with our exclusive 30-Day, Money Back Guarantee and 5-Year Warranty. Send today for your FREE catalog. **RBINDUSTRIES, INC.** Free. *Circle No. 84.*

TOOLS ON SALE™—A division of Seven Corners Ace Hardware, Inc. offers a catalog of over 400 pages of the most popular brands of power tools available anywhere, all at discounted prices. Included are saws, planers, sanders, routers, drills and more from manufacturers such as Milwaukee, Makita, Porter Cable, Black & Decker, Dewalt, Freud, Bosch, Delta, and many more. Now introducing a full range of Werner brand ladders. Tools on Sale™ division of **SEVEN CORNERS ACE HARDWARE, INC.** \$1.00. *Circle No. 92.*

WILLIAMS & HUSSEY—Thousands of professionals use our American-made molder/planers to produce curved or straight moldings. Over 40 years of experience with a 5-year warranty. In the shop or at the job site, W & H meets your needs every day with quick knife changeover and ultimate versatility with all kinds of wood. Send for catalog. **WILLIAMS & HUSSEY**. \$1.00. *Circle No. 93.*

PORTABLE SAWMILLS—Convert logs into valuable lumber—Wood-Mizer® Products manufactures a line of portable bandsaw mills that allows the novice as well as the experienced sawyer to safely convert standing logs into lumber. Then, with the use of our SolaryDry™ Kiln or Vacu-Kiln™ to dry your lumber, you could increase the value of every board you produce. We manufacture some of the most progressive woodworking equipment on the market today. Product videos available. Send for our 31-page catalog. **WOOD-MIZER PRODUCTS**. \$2.00. *Circle No. 94.*

WOODWORKERS WANTED!—The Smithy 3-in-1 lathe-mill-drill gives you all 3 basic machine tools for working metal, plastic, or wood in one easy-to-use benchtop machine. Smithy can help you do it yourself. Free info pak & video. **SMITHY**. Free. *Circle No. 99.*

HAND TOOLS

THE SANDDEVIL—Exciting new hand sanding tool for dry or wet sanding. It uses 100% of a 3" x 21" standard sanding belt. Injection molded in a substantial thermoplastic rubber, spring-loaded for easy snap-on and off and rotating. SandDevil's designed for a wide range of sanding situations. Offers a firm, comfortable grip. A sanding belt is included. **BELOFF-PAPPAS CO.** Free. *Circle No. 105.*

TOOLS THAT MAKE IT EASY!—Turning tools, carving tools, planes, scrapers, clamps, bits, squares, saws, stones, mallets, jigs—every tool you can think of and then some, in Constantine's 120-page full color catalog. **CONSTANTINE'S**. Free. *Circle No. 110.*

IMPROVE YOUR WOODWORKING SKILLS!—Craftsmen around the world have discovered the secret of better quality work. The 72 page Japan Woodworker Catalog is loaded with a huge selection of Japanese saws, waterstones, chisels, gouges, carving tools, planes, cutlery and garden tools. Send for 1992 catalog and all supplements for two years. **THE JAPAN WOODWORKER**. \$1.50. *Circle No. 190.*

STAINS/FINISHES

SOLVENT AND WATER BASE FINISHES—Check Constantine's big 120-page catalog for the latest in finishing technology—stains, lacquers, polyurethanes, pen-

etrating finishes, plus gloss and satin varnishes, milk paint, even hard-to-find specialty products like padding lacquer, shellac powder, and gold leaf. **CONSTANTINE'S**. Free. *Circle No. 210.*

PERFECT PEN POLISH—NEW Developed for pens but great for any small lathe turned object. Pen Turning Manual, everything you need to know from wood selection to marketing. A complete line of pen making supplies—many styles of mechanisms, unusual pen turning materials such as dyed stabilized burls and spalted woods. Send for catalog of wood turning and pen supplies. **HUT PRODUCTS FOR WOOD**. \$1.00. *Circle No. 230.*

PLANS

PATTERNS! PATTERNS! PATTERNS!—Huge assortment of popular shop-tested designs! OVER 1500 top-quality FULL SIZE PATTERNS conveniently grouped into 78 jumbo blueprint sets. We've also included easy-to-follow instructions, sketches, material lists, painting & finishing info. PLUS tips & techniques! Beginner or pro will enjoy creating 100's of fun, profitable projects. Discount prices, fast service, satisfaction guaranteed! Illustrated catalog PLUS sample pattern. **ACCENTS IN PINE**. \$2.00. *Circle No. 310.*

AMERICAN FURNITURE DESIGN CO.—Our catalog represents some of the finest furniture being produced in America today. Created by craftsmen such as Dunbar, Carpenter, Bennett, Ralston and others. Each of our plans is printed in a 36" x 48" CAD format and includes a comprehensive set of building instructions. Designs include Morris Chair, Roll Top Desk, Windsor chairs, Tables, Chests, Clocks and much more! Catalog. **AMERICAN FURNITURE DESIGN CO.** \$3.00. *Circle No. 314.*

WOODWORKERS' PLANS AND SUPPLIES—Wood projects are simplified with the high quality plans, specialty hardware and other supplies offered by Armor Products. Over 100 plans are available for making toys, desks, clocks, pool tables, lamps, chests, and other furniture. Movements, dials, moldings, ornaments, dollhouse kits, door harp supplies and tuning pins are also available. **ARMOR PRODUCTS**. \$1.00. *Circle No. 315.*

HEIRLOOM WOOD TOY PLANS—You too can build the General Train. Engine, coal car, and track plans only \$18.95 p/d. Catalog free with order. Or send for our catalog (\$3) of plans, kits and finished toys. Unique plans for every skill level—cars, trucks, trains, tractors and much more. Original designs by professional toy maker have been featured in WOOD magazine. The toys you build will be treasured for generations. **BALDWIN TOY COMPANY**. \$3.00. *Circle No. 320.*

FULL-SIZE FURNITURE PLANS CATALOG—Illustrates and describes over 200 plans for making furniture of quality found in fine furniture stores. Plans include rolltop desk, cradles, beds, dining tables, chairs, buffets, chests, dressers, gun cabinets, Queen Anne lowboy and highboy, children's furniture, rocking horse, spinning wheels, Morris chair, Adirondack and English garden furniture and more. Bill of materials and exploded drawings assist the woodworker. Fine furniture plans since 1968. **FURNITURE DESIGNS, INC.** \$3.00. *Circle No. 345.*

PROJECT PLANS—Full-size patterns for over 1,000 easy-to-build woodworking projects. Nation's leading source for plans to build wind chimes, toys, yard ornaments, furniture, holiday projects, whirligigs, scroll saw projects, and intarsia projects. Over 3,000 hard-to-find specialty items. Send for your big new 100-page full-color catalog. **MEISEL HARDWARE SPECIALTIES**. \$2.00. *Circle No. 401.*

SOUTHERN PRIDE CRAFTS—Miniature Executive Desk plans for the little juvenile in your family. Stands only 22" high and resembles a high-profile executive desk. Can be built in just one weekend. Also plans on a unique fish cleaning table with brass faucet, removable plastic sink, sink sprayer and fiber board. Kits available. Brochure. **SOUTHERN PRIDE CRAFTS**. \$2.00. *Circle No. 444.*

WOODWORKERS—Send for our NEW color catalog with many exciting plans available. Five Futon designs (no special hardware needed), Arbors, Archways, Trellises, Fences, Gates, Lighthouse, Windmill, Wishing Wells, Bird Feeders & Houses, Octagon Picnic Table with walk through seating PLUS new Children's design, Large selection Adirondack furniture including Tete-A-Tete, Rocking Glider (hardware available) and a variety of craft items. Full-size templates, material list, instructions and cutting diagram. **SPECIALTY FURNITURE DESIGNS**. \$3.00. *Circle No. 445.*

HOTTEST NEW SCROLL SAW PATTERNS AND TECHNIQUES—Check out "Patrick Spielman's Home Workshop News" a full-color, bi-monthly featuring trend-setting tips and ideas plus new project designs for scrolling fun and profit. Send just \$1.00 for a sample issue and a woodworking/pattern book. Catalog. **SPIELMAN PUBLISHING**. \$1.00. *Circle No. 450.*

WOOD TOY PATTERNS—Patterns for all ages including children's patterns and executive toys. New catalog has many new patterns to choose from including parts and wheels. Send for new catalog today. **TOYS AND JOYS**. \$1.00. *Circle No. 465.*

OUR GLIDER SWING PLANS AND HARDWARE KITS—Make building a beautiful high-quality glider swing fast and simple. The unique twin ball-bearing design makes building the swing simple while providing an exceptionally smooth glide. The plans include full-size patterns, exploded views, parts lists and a detailed instruction book. The kit includes 16 high-quality radial ball-bearings plus nuts, bolts, washers and wood screws. Spend less time building and more time relaxing. Brochure. **WOODY™ GLIDER SWINGS**. Free. Circle No. 498.

LUMBER

QUALITY EXOTIC LUMBER/TURNING WOODS—We offer a comprehensive selection of fine quality exotic woods. Also available are mechanisms for making wooden barrel pens/pencils/roller balls/fountain pens. Ebony, Kingwood, Tulipwood, Snakewood, African Blackwood, Cocobolo, Bloodwood, Figured Maple, Spalted Maple, Padauk, etc. Unique and unusual turning woods and burls are also available. Send for catalog. **BEREA HARDWOODS**. \$1.00. Circle No. 510.

ONE STOP WOOD SHOP—Domestic and exotic hardwood plywood and lumber, marine plywood, over 30 species in stock—all under one roof. Custom cutting services to your exact specifications with little or no waste at competitive prices! We specialize in bundling and shipping. Send for catalog. **BOULTER PLYWOOD CORP.** Free. Circle No. 512.

STEVE H. WALL LUMBER CO.—Quality hardwoods and woodworking machinery for the craftsman and educational institutions. 16-page catalog lists 17 species of popular hardwoods at wholesale prices. Also dealers for MiniMax, Freud and ProCut woodworking machines. **STEVE H. WALL LUMBER CO.** \$1.00. Circle No. 592.

HARDWOODS FROM AROUND THE WORLD—Over 100 exotic and domestic species. Lumber, veneers and turning stock. Certified timbers from environmentally sound sources. Quantity discounts, prompt shipping arranged worldwide, custom milling—lumber cut to size. All inquiries welcome. Satisfaction guaranteed. Send for catalog. **WOODWORKERS SOURCE**. \$1.00. Circle No. 598.

VIDEOS

LAGUNA TOOLS VIDEO—Learn why most European workshops are using a central machine center rather than separate machines. 90 min. video presentation of "The Intelligent One Man Shop. The Robland X 31". Send for video. **LAGUNA TOOLS**. \$6.00. Circle No. 615.

SHOPSMITH—The Shopsmith Mark V video kit will show you how you can be the woodworker you've always dreamed of being. You'll learn how to enjoy the many benefits of woodworking with the original 5-in-1 multipurpose woodworking system featuring sawing, drilling, sanding, boring, and turning. In one compact unit. **SHOPSMITH, INC.** Free. Circle No. 650.

GENERAL WOODWORKING CATALOGS

THE WOODTURNERS CATALOG—48 color pages of the finest woodturning tools, machinery and supplies available. Featuring Henry Taylor, Sorby, Richard Rafan and Dale Nish workshops. Catalog price refunded with order. **CRAFT SUPPLIES USA**. \$2.00. Circle No. 830.

GRIZZLY IMPORTS, INC.—Our 1997 woodworking catalog is our biggest yet! 192 full-color pages packed with over 4,000 quality woodworking machines, tools and accessories, all at unbeatable prices. So, check us out and send for your free catalog today. **GRIZZLY IMPORTS INC.** Free. Circle No. 860.

FREE WOODWORKING TOOL CATALOG—Helping you become a better woodworker. This giant catalog of hard-to-find woodworking tools and supplies gives more than just manufacturer's specs. Included are detailed tool descriptions, useful techniques, as well as a schedule of educational seminars. **HIGHLAND HARDWARE**. Free. Circle No. 870.

FINE PRODUCTS FOR THE WORKSHOP—Full-color catalog packed with workshop tools, plans, kits, and ideas to make your day in the workshop so much easier and more comfortable. Some items you can't find anywhere else. If you spend much time in your shop, this catalog is definitely worth a look. Free issue. **LEICHTUNG WORKSHOPS**. Free. Circle No. 878.

THE WOODCRAFT CATALOG—Our FREE catalog features over 5,000 of the finest quality woodworking tools, books, lumber and hardware, all at rock bottom prices. If that's not enough, Woodcraft also offers technical assistance, tool sharpening, and something that no one else can do—same day shipping and an unconditional guarantee! Order a FREE copy today. **WOODCRAFT SUPPLY CORP.** Free. Circle No. 955.

CABINET AND FURNITURE HARDWARE—16-page FREE SALE FLYER featuring selected products from our stock of 5,000 items. In stock are slides, hinges, knobs and pulls to fit thousands of applications. Also stocked are hundreds of cabinet accessories, lighting products and convenience items. **WOODWORKER'S HARDWARE**. Free. Circle No. 960.

THE WOODWORKERS' STORE CATALOG—The catalog that helps woodworkers do it right! Discover over 200 new products, including exciting items for making computer desks, entertainment centers, kaleidoscopes and humidors. Many exclusives and hard-to-find specialties like unique hardwoods, solid brass hardware, kitchen

organizers, lighting systems and innovative tools—just to name a few! Toll-free ordering. Satisfaction guaranteed! **THE WOODWORKERS' STORE**. Free. Circle No. 965.

BEST WOODWORKING CATALOG IN THE USA—Get a FREE catalog from the company rated #1 in mail order purchases among professional woodworkers by the 1995 Woodworking in America Study™. Every 156-page issue is packed with over 6,000 products including machinery, hardware, finishes, abrasives, tools, and more. Serving professional and amateur woodworkers for over 24 years. **WOODWORKER'S SUPPLY, INC.** Free. Circle No. 970.

KITS

OUR QUEEN ANNE FURNITURE KITS—are ready to assemble and finish. They include dining room chairs, a variety of occasional tables, and a personal desk. All are made in solid cherry, oak, walnut, and mahogany. We also stock individual Queen Anne legs for every project. Complete information in our brochure packet. **ADAMS WOOD PRODUCTS**. Free. Circle No. 1002.

OUR QUALITY HEIRLOOM FURNITURE KITS—Are produced from 100% SOLID Maple, Oak, Cherry, and Mahogany. We have several varieties of chairs, tables, desks, computer stations, and more. We also manufacture an endless array of leg components including turning squares for nearly any project from Queen Anne to Modern-Day Contemporary. All of our products are satisfaction guaranteed and do not require a minimum order. Send for literature today. **HICKORY FRAME CORPORATION**. Free. Circle No. 1043.

SHIP MODELING CATALOG—Historic Ship Models—Museum quality replicas you build yourself. Pre-cut wooden parts, metal and brass fittings, cloth sails, plans and instructions. Send for 80 page color catalog. **MODEL EXPO, INC.** \$1.00. Circle No. 1075.

BUCKBOARD BENCH KIT—Kit includes steel springs that give a little, metal arms and back rails, hardware, and full-size instructions. New matching trestle table kit. **THE ROUDEBUSH CO.** 50c. Circle No. 1085.

PUBLICATIONS

WOODWORKING BOOKS BY MAIL—800+ books for woodworkers, carvers and craftspeople. Quality books on intarsia, furniture, scroll saw, turning, whittling, decoys, drawing and reference. New releases, hard-to-find titles. All Judy Gale Roberts books available. Easy ordering. Includes \$2.00 coupon good on first order plus free carving pattern. **FOX CHAPEL PUBLISHING CO.** \$2.00. Circle No. 1123.

HOTTEST NEW SCROLL SAW PATTERNS AND TECHNIQUES—Check out "Patrick Spielman's Home Workshop News" a full-color, bi-monthly featuring trend-setting tips and ideas plus new project designs for scrolling fun and profit. Send just \$1.00 for a sample issue and a woodworking/pattern book. Catalog. **SPIELMAN PUBLISHING**. \$1.00. Circle No. 1142.

SHOP ACCESSORIES

EFFICIENT RE-VERBER-RAY GAS INFRA-RED TUBE HEATERS—Heat your woodworking shop while saving energy costs! Infra-red Tube Heaters provide heat like the sun. No blasts of hot air blowing dust into finishes. Safe units can be installed using 100% outside combustion air, avoiding wood dust or harmful chemical contaminants in the air. Your shop is bathed in warm infra-red rays heating the surrounding air. Comfort levels are achieved through thermostat control. Units AGA Design Certified for residential garages and all commercial and industrial applications. Catalog & name of local distributors available. **DETROIT RADIANT PRODUCTS COMPANY**. Free. Circle No. 1223.

ECON-ABRASIVES—Offers a complete line of sandpapers and woodworking related accessories. We custom make abrasive belts in any size and in any grit. Catalog. **ECON-ABRASIVES**. Free. Circle No. 1229.

50th ANNIVERSARY—For 50 years Industrial Abrasives Co. has offered the widest selection of quality abrasive products and accessories at incredibly low prices. From the small one man shop to large industrial accounts, we know the abrasive business and we want to be your supplier. Belts can be made to order, any grit—any size. Catalog. **INDUSTRIAL ABRASIVES CO., INC.** Free. Circle No. 1238.

KLINGSPOR'S SANDING CATALOGUE—64 pages of industrial quality sanding products now offered to the home hobbyist at unbelievable low prices. Included are sanding & finishing machines, industrial sandpaper and shop helpers. **KLINGSPOR ABRASIVES, INC.** Free. Circle No. 1240.

ALYS DOES IT—with HTC's power tool accessories. Discover many unique items, designed only with you, the dedicated woodworker, in mind. Make your machinery safer, increase the working area of your shop and accomplish nearly impossible tasks easily, quickly, accurately. Full-line catalog and price list. **HTC PRODUCTS, INC.** Free. Circle No. 1245.

INDUSTRIAL ABRASIVES—Free Catalog of price busting abrasives upon request. Manufacturers of a complete line of lowest priced sanding belts, discs, and sleeves made to your specifications. Associated woodworking products, e.g., sheets, contour sanders, and belt cleaning sticks, to name just a few, all available at the best prices anywhere. Catalog. **INDUSTRIAL ABRASIVES CO.** Free. Circle No. 1248.

WOOD MOISTURE METER—Avoid moisture defects such as cracking, warping, splitting, delamination. The pin-type

moisture meter "Mini-Ligno" can read surface or core moisture in any thickness of lumber, from veneer through heavy timbers. A flat surface is not necessarily required, thus the Mini works on rough sawn lumber and curved or round pieces. A most versatile instrument. Many hobbyists and professionals use the Mini-Ligno C or E/C with attachments to monitor lumber during air or kiln drying or use external electrode for depth readings. Catalogue describes complete line of moisture meters. **LIGNOMAT USA, LTD.** Free. Circle No. 1250.

ROUTER SPEED CONTROL—Reduces speed electronically without reducing torque. Route at the speed that gives best results with the wood and bit you are using. Speed adjustable from full speed to 0 RPM. Less tear out—stops burning—less wear on bits—easy to use. Send today for information. **MLCS LTD.** Free. Circle No. 1251.

SUPERGRIT® SANDING/REFINISHING CATALOG CLOSE-OUT SHEET—Belts (aluminum oxide, silicone carbide zirconia), discs (plain, PSA, Hook & loop vacuum), sheets (cabinet, crocus, emery, non-loading, water-proof), rolls (cloth or hook & loop), bowl turning & lathe supplies, dust masks, scuff pads, tack cloths, tape. **RED HILL CORP.** Free. Circle No. 1267.

"WOOD-FRIENDLY"™ L606 MOISTURE METER—uses advanced electromagnetic wave technology to accurately measure wood moisture content from 6% to 30% to a depth of 3/4". No pins to "abuse" wood and leave ugly holes. Check out boards from top to bottom in just seconds before you buy and avoid the headaches of splitting, warpage, delaminating and failed glue joints. The Wagner L606's convenient pocket size, easy-to-read analog meter, and low price make it a must for anyone working with wood. Literature. **WAGNER ELECTRONIC PRODUCTS, INC.** Free. Circle No. 1285.

BITS, BLADES, CUTTING TOOLS

FOUR-COLOR ROUTER BITS AND SAW BLADE CATALOGUES FROM CMT USA, INC.—Router bits and saw blades ideal for production work. Features include: Premium Fatigue-Proof™ steel machined from solid bar stock, anti-kickback design, sheer angle on cutting edges, CMX-4 micro-grain carbide, radial relief on all straight bits, and a baked-on non-stick PTFE orange coating applied at 750°F. Saw blades have new sound-dampening channels laser-cut into the plate body of all 10" and larger blades, and anti-kickback shoulders. Router bits and blades come with sturdy hardened carrying case. Router bit sets are stored in a beautiful hinged hardwood case. **CMT USA, INC.** Free. Circle No. 1312.

FREUD—Premier line of carbide-tipped sawblades, router bits, shaper cutters and other woodworking tools. Freud offers a full-line on anti-kickback carbide-tipped router bits. Send for a free new router bit catalog. **FREUD**. Free. Circle No. 1321.

ASK FOR JESADA TOOLS' FREE CATALOG!—Jesada's full-color catalog is packed with router bits, saw blades, shaper cutters, planer & jointer knives and more. Jesada router bits feature micrograin carbide edges, anti-kickback design and the finest mirror-finish grinding you'll find anywhere. Our catalog also offers lots of accessories, project ideas and safety tips—it's one catalog you'll want to keep! **JESADA TOOLS**. Free. Circle No. 1335.

PRODUCTION QUALITY CARBIDE TIPPED ROUTER BITS—Large discounts. New expanded catalog featuring a huge selection of Carbide Tipped Router Bits, Raised Panel Door Sets, Shaper Cutters, Solid Carbide Bits, The Router Speed Control, plus our unique line of clamps, tools and supplies. Save 50% to 70%. Value, quality, and prompt service guaranteed! **MLCS LTD.** Free. Circle No. 1350.

OLSON SAW COMPANY FOR ALL YOUR SCROLL AND BAND SAW BLADE NEEDS!—Contact Olson for a complete listing of companies that sell their extensive line of superior quality band and scroll saw blades for all your woodworking needs, including the new PGT™ Scroll Blade—"The Best" scroll saw blade available! A catalog of every type of scroll saw blade used on nearly every domestic and imported saw is also available. **OLSON SAW COMPANY**. Free. Circle No. 1367.

INDUSTRIAL-QUALITY CARBIDE TIPPED ROUTER BITS & SHAPER CUTTERS—Great selection at the best prices for anti-kickback design router bits and shaper cutters. Same day service. Ask about our specials and free catalog. **WOODLINE ARIZONA INC.** Free. Circle No. 1395.

HARDWARE/ WOOD PARTS

FREE WOODCRAFT CATALOG FROM CHERRY TREE!—68 full-color pages of plans, parts, kits and supplies for all skill levels. Clocks, whirrigigs, dollhouses, door harps, banks and many more attractive items—plus wooden dowels, pegs, wheels, knobs, & more. Tools, paint supplies, stencils, stamps and much more! Wholesale prices available. Catalog. **CHERRY TREE TOYS**. Free. Circle No. 1420.

INCOME OPPORTUNITIES

SECURE FUTURE IN FURNITURE RESTORATION WITH MINUTEMAN—Earn \$200-\$1,000 per day stripping, repairing, refinishing, mirror resilvering, veneering and more at home or in shop; part- or full-time. We provide complete training; no experience necessary. FREE workshop teaches you latest in furniture restoration. Featuring Amity, the first complete line of water-based furniture restoration products. Catalog. **MINUTEMAN**. Free. Circle No. 1661.

MISCELLANEOUS

UNDERBED STORAGE DRESSER—Top quality, solid wood, ready-to-assemble kits provide convenient space-saving storage. Can have 3-16 drawers. Start at \$159.00. FREE freight for limited time. Send for FREE 44-page catalog. **ANDERSON MFG. CO.** Free. Circle No. 1795.

CHIMNEY SWEEPS—Average \$65/hr., full or part time! For over 21 years August West has helped thousands start their own highly profitable professional chimney maintenance businesses. Low investment—under \$4,000—high income potential, flexible hours. Get started today—gain financial freedom, independence, security! Information Kit. **AUGUST WEST SYSTEMS.** Free. Circle No. 1850.

AMERICAN STEEL SPAN BUILDINGS—Designed with the do-it-yourselfer in mind. Our buildings are made in a heavy gauge steel with a 20-year warranty. Everything is pre-cut and pre-drilled, and just bolts together. A quality pre-engineered building with style and structural integrity at a price that everyone can afford. 3 models to choose from! **AZTEC STEEL CORP.** Free. Circle No. 1855.

LOOKING FOR PIERCED TIN? COME TO THE SOURCE!—70+ page color highlighted catalog introduces you to a treasury of pierced metal panels affordably priced and ready to install in your woodworking projects. Available in a wide variety of sizes, 16 different types of metal (copper & brass, tool) & over 300 designs. Custom size & design a specialty. OR all the materials and tools needed to create it yourself. Catalog includes furniture plans you can order, lantern kits, specialized metal piercing tools and MORE. **COUNTRY ACCENTS.** \$5.00. Circle No. 1910.

WIRELESS DRIVEWAY ALARM—A bell rings in your house anytime someone walks or drives into your place. Also, a complete line of wireless security equipment, telephone dialers, power outage sensors, temperature sensors, etc. Be sure to order our free literature today. **DAKOTA ALERT, INC.** Free. Circle No. 1914.

RECEIVE YOUR WOODWORKING DEGREE—Learn woodworking from the experts and receive your diploma from Foley-Belsaw. Since 1926 a leader in Industrial Arts Education, Foley-Belsaw has made their learn-by-doing method of training available to you right in your home. **FOLEY-BELSAW INSTITUTE.** Free. Circle No. 1930.

SOFTWARE TO ORGANIZE YOUR WOODWORKING HOBBY—WorkBench Organizer is a comprehensive software package to help you organize your woodworking hobby or small business. Create project out lists and bill of materials. Track your projects, vendors, customers, materials and much more. Create project quotes and customer invoices. Create an article index for your favorite magazines and books. Just \$69.95. **J & J SOFTWARE, INC.** Free. Circle No. 1977.

SAVE SPACE. BUY AN ORIGINAL MURPHY BED—Color catalog shows the five different types of Murphy Bed mechanisms available in twin to king size. You can use our ready-to-assemble cabinetry or make your own. The beds provide a comfortable night's sleep and disappear during the day into a cabinet or closet. **MURPHY BED CO. INC.** Free. Circle No. 1981.

PERSONALIZE ALL YOUR WOODWORKING PROJECTS—Put a custom engraved brass nameplate on all of your Woodworking Projects—and be remembered forever! Gold, silver & black brass plates available and come with brass brads for easy attaching. Finish your projects off in style. Let us send you a personalized sample with complete ordering information. **SIGN DESIGN CUSTOM PRODUCTS, INC.** \$5.00. Circle No. 2005.

STEELMASTER BUILDINGS—are available in almost any size for almost any use. From 10' to 100' wide and any length imaginable. Whether you need a back yard shop... an industrial shop... equipment storage building... whatever your requirements, you'll find a Steelmaster that's just the right size for the job. Our buildings are so easy to construct, most owners opt to construct their buildings themselves which adds up to even bigger savings. Send for information. **STEELMASTER.** \$1.00. Circle No. 2030.

IF YOU ARE INTERESTED IN RESTORING ANTIQUES—this 288-page catalog packed with unusual, hard-to-find items is just for you. Included are hundreds of essential items for antique restoration including top quality brass reproduction hardware, oil lamps and accessories, numerous wood component repair parts and kits, caning and basketry supplies, everything needed for wood refinishing, related tools, books, and a complete line of upholstery equipment and supplies. All at wholesale prices. Send for this informative catalog. **VAN DYKE'S RESTORERS.** \$1.00. Circle No. 2077.

WHOLESALE GLASS BROKERS—High quality glass shipped to your door directly from the finest manufacturers. Table tops; tempered glass; shelves; beveled glass; custom shapes; 1/4" to 3/4" thick; tinted glass; and much more! Your one-stop discount glass source. Idea catalog. **WHOLESALE GLASS BROKERS.** Free. Circle No. 2079.

LEGAL IVORY—Virtually identical to animal ivory. Tagua is the nut from a tropical palm tree. Ideal for jewelry, knobs, small turnings, inlay, or scrimshaw. Available in 3 sizes. Send for information. **WOODWORKERS SOURCE.** Free. Circle No. 2090.

PEN, PENCIL PRODUCTION SYSTEM—And equipment and supplies are detailed in free brochure. Anyone can produce high-quality pens and pencils from rare woods. The "WoodWrite" production system provides all equipment, supplies and consumables for your first 50 sets. Contact us for best prices on components and pre-cut, pre-drilled wood blanks. **WOODWRITE, LTD.** Free. Circle No. 2098.

CARVING SUPPLIES

PARAPHERNALIA—A sourcebook for everyone who loves to work with their hands. Consisting of ultra high speed engraving (315,000 RPM) carving equipment, training & supplies. We are the founders of ultra high speed engraving equipment & techniques. Serving & supporting since 1983. Free catalog available. Demo video available with refundable deposit. **PARAGRAPHS.** Free. Circle No. 2160.

HI-TECH ENGRAVING—You don't have to be an artist with the System One High Speed Engraver (400,000 RPM). The incredible high speed combined with SCM's exclusive stenciling system allows you to produce professional results. You can engrave on wood, glass, metal, stone, ceramic, egg

shell. It's as easy as writing with a pen. Send for information. **SCM ENTERPRISES.** \$1.00. Circle No. 2165.

WOOD CARVING MACHINES AND ACCESSORIES—make all types of wood carving easy, fun and profitable. The machines do the work. Whether for sign carving, flat 3-D, decoys, panels, gun stocks or furniture, we have the proper machine for the job. Professional woodcarving for the hobbyist and superior quality for the professional. Begin your hobby or full or part-time business by ordering our catalog and price list. **TERRCO.** \$1.00. Circle No. 2175.

WOOD CARVERS SUPPLY INC.—Serving with pride since 1955. Family owned & operated with superior customer service & a large selection of quality carving supplies. Each order is inspected 3 times before leaving our warehouse, delivered fast & backed by a 30 day money back guarantee. Discover the joy & relaxation of wood carving. Order our superb color 76 page catalog with over 2,000 items including hand & power carving tools, books, knives & much more. Join 1,000s of happy customers by sending \$2 for a two year catalog subscription. **WOOD CARVERS SUPPLY, INC.** \$2.00. Circle No. 2190.

WOOD SIGN MAKING MACHINE—Make wood signs in minutes. Returns \$50+ per hour. For serious hobbyists and professionals. Make signs any length, any thickness. Also makes pictures in wood, cut-out letters, and other woodcrafts. Template guided, easy to use, full instructions. Table top size. "Dust-free" attachment. Own your own business for lifetime income security. **WOODWORKER MACHINES.** \$1.00. Circle No. 2193.

WOODTURNING SUPPLIES

WOODTURNING SUPPLIES!—Best selection of woodturning supplies anywhere. Greatest selection of pen kits, pencil kits, project kits, boxes, and display cases available. Slimlines, "Mont Blanc," "Parker," bottle stoppers, etc. Over 250 different pen blanks including exotics, figured, acrylics, celluloids, and dywoodwoods. Carving supplies and books. **WOODCRAFTERS OF OKLAHOMA.** Free. Circle No. 2195.

CLAMPS

MERLE ADJUSTABLE CORNER CLAMP—Quick & easy to use. It forces your work into square. Fully adjustable from 2 1/2" x 2 1/2" to 69" x 69" in. Perfect for clamping picture frames, cabinets, or anything that requires 90° corner clamping. The Merle Clamp is cast aluminum & steel construction, a true industrial quality tool. Send today for information. **MLCS LTD.** Free. Circle No. 2250.

CLOCKS

CLOCK KITS AND CLOCKMAKING COMPONENTS—America's leading source for highest quality, traditional do-it-yourself clocks and clock parts. Selection includes desk clock kits (complete with movement, dial and glass) for under \$20 to elaborate grandfather clock kits with German brass tubular chime movements. Always the lowest prices because all woodwork is produced in our factory. Catalog also features a broad selection of quartz and brass movements, quartz fit-ups, dials, wood finishes and hard-to-find clock hardware, all at very competitive pricing. Write today for the most complete product selection for clockmakers! Catalog. **THE AMERICAN CLOCKMAKER.** Free. Circle No. 2320.

KLOCKIT—The leading supplier of clock-making supplies for over 25 years: Quartz and mechanical movements, clock inserts, dials, easy-to-follow plans and kits for all skill levels. **KLOCKIT.** Free. Circle No. 2335.

CLOCK PARTS CATALOG—For the hobbyist and clock enthusiast. Contains clock parts, quartz and mechanical clock movements. Tools for the hobbies and clock repair person. Gift ideas include complete clocks, watches and novelty items. Your satisfaction guaranteed. **S. LAROSE, INC.** Free. Circle No. 2375.

SCHLABAUGH & SONS WOODWORKING—Easy-to-build—all original designs—clocks, bookends and hand mirror kits. Clock movements, jigs and jig-making accessories, pre-laminated hardwood project blanks & turnings, exotic woods, clamps and many exclusive design ideas. Family-owned business—we offer 100% guarantee. Order our catalog & get to know us! Toll-free ordering. Full-color catalog. **SCHLABAUGH & SONS WOODWORKING.** \$1.00. Circle No. 2385.

FASTENING PRODUCTS

SQUARE DRIVE SCREWS—Thousands agree—once you try them you will never want to use anything else! The square drive recess virtually eliminates work-damaging driver bit "cam-out," the deep threads result in exceptional holding power, and they are heat treated for strength. Sizes from #4 x 3/8" to #12 x 4", with stainless steel, solid brass, brass plated, and zinc plated available. Quantity discounts. Send for literature. **McFEELY'S.** \$1.00. Circle No. 2450.

SHOWS & SEMINARS

'THE WOODWORKING SHOWS' MACHINERY, TOOLS AND SUPPLIES—Hundreds of products for the woodworker demonstrated and sold at discount prices at every "Woodworking Show". In-depth seminars and free workshops on a variety of woodworking topics. Shows are scheduled in 27 cities. Send for free brochure. **'THE WOODWORKING SHOWS'.** Free. Circle No. 2900.

Woodworker's Resource

TO ENSURE PROMPT HANDLING OF YOUR ORDER FOLLOW THESE INSTRUCTIONS:

- Circle your choice
- Enclose check or money order for cost of booklets plus \$2.00 service charge (no stamps accepted)
- Send coupon and remittance to address above
- ALLOW 4-6 WEEKS FOR DELIVERY
- Coupon expires November 23, 1998

WOOD SUBSCRIPTION

A 1 year WOOD subscription (9 issues) for \$25.00 (U.S. price)—a \$19.55 savings off newsstand rate (Circle No. 4000). Allow 6-8 weeks for first issue. Be sure to include payment with total below.

Circle numbers below corresponding to items in this issue. Please include \$2.00 for handling charge.

3.....\$1.00	99.....Free	465.....\$1.00	970.....Free	1267.....Free	1930.....Free	2250.....Free
18.....Free	105.....Free	498.....Free	1002.....Free	1285.....Free	1977.....Free	2320.....Free
20.....Free	110.....Free	510.....\$1.00	1043.....Free	1312.....Free	1981.....Free	2335.....Free
43.....\$1.00	190.....\$1.50	512.....Free	1075.....\$1.00	1321.....Free	2005.....\$5.00	2375.....Free
46.....Free	210.....Free	592.....\$1.00	1085.....50¢	1335.....Free	2030.....\$1.00	2385.....\$1.00
48.....\$1.50	230.....\$1.00	598.....\$1.00	1123.....\$2.00	1350.....Free	2077.....\$1.00	2450.....\$1.00
49.....\$2.00	310.....\$2.00	615.....\$6.00	1142.....\$1.00	1367.....Free	2079.....Free	2900.....Free
52.....Free	314.....\$3.00	650.....Free	1223.....Free	1395.....Free	2090.....Free	4000.....\$25.00
75.....Free	315.....\$1.00	830.....\$2.00	1229.....Free	1420.....Free	2098.....Free	
78.....50¢	320.....\$3.00	860.....Free	1238.....Free	1661.....Free	2160.....Free	
81.....Free	345.....\$3.00	870.....Free	1240.....Free	1795.....Free	2165.....\$1.00	
84.....Free	401.....\$2.00	878.....Free	1245.....Free	1850.....Free	2175.....\$1.00	
92.....\$1.00	444.....\$2.00	955.....Free	1248.....Free	1855.....Free	2190.....\$2.00	
93.....\$1.00	445.....\$3.00	960.....Free	1250.....Free	1910.....\$5.00	2193.....\$1.00	
94.....\$2.00	450.....\$1.00	965.....Free	1251.....Free	1914.....Free	2195.....Free	

Name (please print) _____
 Address _____
 City _____
 State _____ Zip Code _____
 Phone (Optional): _____

I AM ENCLOSING:

\$ _____ for priced items
 \$ 2.00 for handling
 \$ _____ total remittance
 (US dollars only)



USE THE RIGHT TOOL!

HEAT YOUR SHOP WITH RE-VERBER-RAY GAS INFRA-RED TUBE HEATERS

Infra-Red Heaters work just like the sun by directly heating objects in their path. Capture this energy saving technology for your woodworking shop! Enjoy the benefits of a sealed combustion system and no drafts to ruin finishes etc. at a fraction of the operating cost of hot air systems. Call today for a no cost-no obligation survey!



800-222-1100

Detroit Radiant Products Company
21400 Hoover Road, Warren, MI 48089
<http://www.reverberay.thomasregister.com>

Circle No. 1223

MOLDER / PLANER

FOR
STRAIGHT, CIRCULAR, ELLIPTICAL* MOLDINGS
(Casings, Crowns, Picture Frames, Raised Panels)



* Elliptical jig required

EJ Elliptical jig allows radii as small as 7 in.



Our W • 7S Model offers Versatility and Durability

FEATURES:

- Duplication of historic profiles up to 3/4 in. deep
 - solid cast-iron base & head
 - Molder-to-planer in less than 2 minutes
 - Portable – on site or in the shop
 - 7,000 rpm/two-knife system produces 78 cuts per in.
 - 100 standard knives
 - Custom knives
 - Five-year warranty
 - Fully American-made!
- See us at IWF Booth #6465

WILLIAMS & HUSSEY MACHINE CO. INC.
Dept. 237KB
P.O. Box 1149 • Wilton, NH 03086
Tel: 603-654-6828 • Fax: 603-654-5446

FREE TOOL CATALOG!



Your Best Work Starts With Us!

With over 4,000 of the finest woodworking tools in the world, Woodcraft can help you work more efficiently and skillfully than ever. Call for your Free copy today.

1-800-542-9115

WOODCRAFT®

<http://www.woodcraft.com>
210 Wood County Industrial Park Dept. 97WI11S
PO Box 1686, Parkersburg, WV 26102-1686

Circle No. 955

WOULD YOU LIKE TO OWN THE MOST PRODUCTIVE SCROLL SAW ON THE MARKET?



THE RBI HAWK ULTRA 220 & 226 IS YOUR ANSWER!

- Ultra-Smooth Cutting Control
- Fastest & Easiest Blade Change System
- Ultra-Smooth Running, Vibration Free
- No Sanding Required
- "Top-to-Bottom" 5 Year Warranty

Visit the RBI Home page at <http://www.rbiwoodtools.com>



220 Hawk Ultra

rbindustries, inc.

America's Woodworking Machinery Manufacturer

1801 Vine Street • PO Box 369 Harrisonville, MO 64701



G109

Call 1-800-487-2623 for info!

Copyright 1997 rbindustries. All rights reserved.

Start Your Own Business CUSTOM ENGRAVING

No Experience Necessary • No Artistic Ability Needed

• 400,000 RPM
Engraving Tool

• Unlimited
Potential

• Complete
Stencils



Professional Results



There is no experience necessary because SCM has developed a business opportunity that will have you producing professional engraving in a few short hours – just by tracing lines! *It's That Easy!*

Engrave on... • Glass • Wood • Metal • Stone • Marble • Eggs

To Find Out
Just How Easy It Is
Call Now For Details...

1-800-755-0261

W140 N5946 Lilly Road • Menomonee Falls, WI 53051 (414) 252-3989



Circle No. 2165

Work smarter, safer and cleaner

DESIGN BREAKTHROUGH

All wood workers now know that air filtration is essential. WoodMark's new ceiling-mounted air filtration system has been created for maximum efficiency in air movement for filtration. This innovative design directs the dust inlets at an 8° angle toward the working area of your shop where dust is created.

By placing these inlets on all sides of the unit you are provided with a unique and highly effective 360° collection of air, allowing your shop to be filtered from every direction at the same time.



"You can either buy a filter or you can be a filter."

Introductory Offer
\$499.95 + S&H
LIMITED TIME ONLY

We've also added fluorescent lighting to help you see how clean your shop really is.

- 1100 CFM
- 12' Power Cord
- Fluorescent Light
- 360° Air Collection
- Unique filter-lock system (insures dust will be captured in the filter)

It's the ultimate workbench.
It's a downdraft table.
It's a complete air filtration system.



Deluxe • 30" x 69" x 2"
Has a larger, thicker work surface and includes twin screw vice

Remove the dust before it can pass your face. The Dust Eliminator Workbench collects dust at its source (from sanding)... and air-borne particles created by other shop tools.

A generous select and better grade hard maple work surface sits atop a powder-coated, heavy gauge steel cabinet.



Original • 30" x 54" x 1 1/2"
Only \$889.00 + S&H
Workbenches shown with some options.



Powerful motor (930 CFM) • Optional 1600 CFM motor
Locking casters • GFI convenience outlet • 20' power cord

Other Sizes & Options Available

WOODMARK Call toll-free for our FREE Color Brochure
P. O. Box 211434 • Bedford, TX 76095 **1-800-845-4400**

Circle No. 1295

PRODUCTS THAT PERFORM



Continued from page 106

Molded sanding blocks

The sharp edges that help define decorative moldings also make these moldings difficult to sand. Without a form-fitting sanding block for support, the sandpaper can round off the edges.

But now, you can make your own custom sanding blocks to match even the most intricate trim. Sand Form consists of a two-part putty that, when mixed, conforms to fit the shape of any molding. When it hardens, you peel the rubber mold off the trim, cover it with sandpaper, and you're ready to sand.

To mix the putty, you knead equal pieces of the two parts together and place the mixture on a mounting block. Press the putty onto the molding you want to sand, and leave it to harden for 15 minutes. A grid pattern on the bottom of the mounting block holds the sanding block in place.

The putty conforms so well on sharp inside corners that it doesn't always allow for the thickness of the sandpaper, resulting in a flimsy edge. However, I found that placing a couple of layers of masking tape on the molding prior to applying the putty compensated for this, and gave me better-fitting blocks. The Sand Form kit should yield 7-10, 1 1/4 x 2 3/4" reusable blocks.

—Tested by Bob McFarlin

PRODUCT SCORECARD

Sand Form

Performance	★ ★ ★ ★ ★
Price	About \$15
Value	★ ★ ★ ★ ★

Systems Manufacturing Co., P.O. Box 505, Tujunga, CA 91043-0505. Call 818/353-7876.



Continued on page 116



JESADA TOOLS™

"The smoothest and sharpest we've ever seen"

... *American Woodworker Magazine*

Dear Friends,

When we announced nearly two years ago the opening of our new factory in Florida I promised that we would continue to build the best tools on the market.



Today, I'm pleased to tell you that the mirror-finish grind on all of our router bits truly puts us a big step ahead of anyone else in the industry. We're the only router bit manufacturer in the world to invest in the technology required for this kind of quality.

Most of the credit goes to our new 5-axis grinding centers. These remarkable computer-controlled machines allow our engineers to grind your bit with a degree of precision that can't be equalled on older equipment.

Watch for the reviews of our router bits in this magazine and other publications. Better yet, order a Jesada bit and see for yourself. As always, we stand behind every tool with an ironclad guarantee

Sincerely,

Carlo M. Venditto, President and C.E.O.

"Smooth Performers"
"Jesada Tools has introduced an improved line of router bits with a trademarked white, non-stick PTFE coating. The carbide tips on these bits are the smoothest and sharpest we've ever seen, thanks to Jesada's new state-of-the-art grinding equipment. Test cuts in our shop produced exceptionally smooth profiles."

... *American Woodworker Magazine*,
October, 1997

Mirror-finish grinding

Micrograin carbide cutting edges

White nonstick PTFE coating
(a trademark of Jesada Tools)

Visit us on the World Wide Web!

<http://jesada.com/catalog/>

Over 60 pages of products, instructions, tips and a factory tour!

E-Mail: jesada@packet.net

Call for our Free Catalog



To order, call toll-free 24-hours:
1-800-531-5559

Toll Free FAX: 1-800-870-7702

Free shipping on orders over \$200.00
(\$5.00 shipping & handling for orders under \$200.00)

Dealer inquiries welcome!

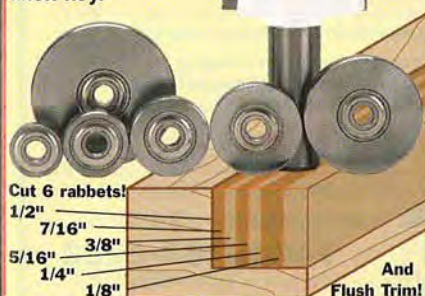
Export orders: (813) 891-6160 FAX: (813) 891-6259

JESADA TOOLS,
310 Mears Boulevard, Oldsmar, FL 34677

In Canada, call:
ToolTrend Ltd. 1-800-387-7005

Rabbet-Master Plus™ masters 7 different cuts

JESADA TOOLS' Rabbet-Master Plus cuts rabbets from 1/8" to 1/2" deep & flush trims as well! The set includes one of our 1-3/8"-diameter carbide tipped rabbeting bits, seven ball bearings and an allen key.



800-639 1/4" Shank Set,
List: \$49.40.....SALE: \$38.90

800-640 1/2" Shank Set,
List: \$54.40.....SALE: \$39.90

Try Jesada and Save with our 3-Bit Special

This special introductory offer lets you experience JESADA TOOLS' quality first hand! You'll get 3 bits from our state-of-the-art U.S. factory with features like Fatigue-Proof® steel, micrograin carbide and our mirror-finish grinding, all for about half our regular price!



800-701 3-bit set, 1/4" Shank,
Regular: \$69.60.....SALE: \$34.90

800-702 3-bit set, 1/2" Shank,
Regular: \$72.70.....SALE: \$36.90



Storehorse Folding Sawhorse not a one-trick pony

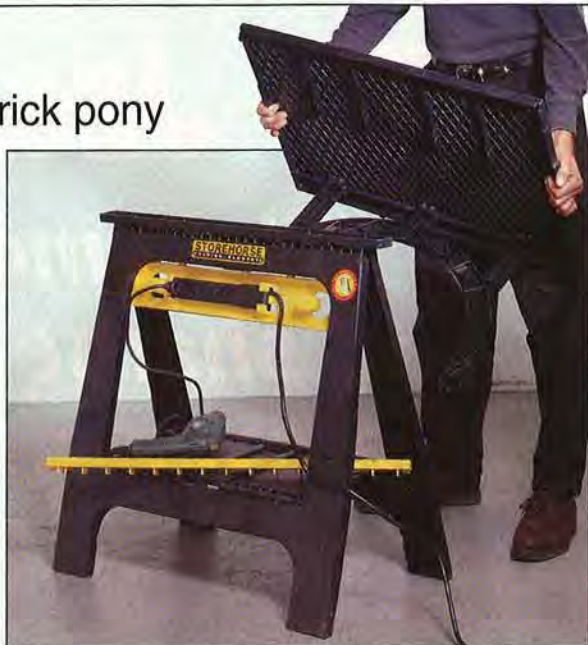
If you're like me, you probably consider sawhorses a necessary evil—handy, but usually just in the way. However, a folding sawhorse with a host of accessories could change the way you feel about “old paint.”

The Storehorse XL Folding Sawhorse, a strong but lightweight sawhorse made from recycled plastic, stands 30" high, has a built-in shelf between the legs, and folds to 2" thick. Weighing only 12 pounds, it will support 500 pounds. You'll definitely want the “optional” Top Protector (\$4.99), but I found the

Storehorse's ease of use and storage worth the \$25 total price tag.

But the folks at Storehorse have added a number of slick accessories that expand this sawhorse's capabilities. The Hobbytop (\$19.99) attaches as shown at right, to give you a 20x30" horizontal worktop, and tilts to serve as drafting table. I loaded various benchtop tools onto the top, and it provided a stable and handy work surface.

The Cord 'N Plug (\$15.99), a six-outlet powerstrip with a circuit breaker, clips to the Storehorse's leg near the top or below the shelf. V-notched SawBucks (\$9.99) snap on to hold round or odd-shaped materials, as well as a 2x10.



The only option I didn't care for was the Outfeed Roller (\$15.99). Although it adjusts easily to various heights, the roller doesn't spin freely, and it's just too small to handle heavy sheet goods. ♣

—Tested by Bob McFarlin

PRODUCT SCORECARD

Storehorse XL Folding Sawhorse

Performance ★ ★ ★ ★ ☆

Price \$19.99 for XL basic unit.

Value ★ ★ ★ ★ ★

Storehorse, Inc., 16607 Blanco Road, Suite 100, San Antonio, TX 78232. Call 210/492-8405

The Laguna Tools New 18 Bandsaw.



PROBABLY THE BEST 18" BANDSAW EVER BUILT!

Compare to other manufacturers:

- ✓ 3 HP motor
- ✓ Heavy-duty cast iron trunion
- ✓ Dynamically balanced cast iron flywheels
- ✓ Heavy duty fence
- ✓ Foot brake
- ✓ Rack-and-pinion adjustment of upper guide
- ✓ European-style guide bearings
- ✓ Optional mobility kit
- ✓ Optional heavy-duty miter-gauge
- ✓ 12" resaw capacity
- ✓ Tension indicator
- ✓ Excellent dust collection

Call now for a free video!

LAGUNA TOOLS

(800) 234-1976

(714) 494-7006

<http://www.lagunatools.com>

2265 Laguna Canyon Road
Laguna Beach, CA 92651

FREE SANDING BELTS

BUY A DOZEN GET A DOZEN FREE

FULL MONEY BACK GUARANTEE!!

1x30	17.95/doz + 12 free
1x42	18.50/doz + 12 free
3x18	18.95/doz + 12 free
3x21	19.95/doz + 12 free
3x24	21.25/doz + 12 free
4x21	24.95/doz + 12 free
4x24	25.95/doz + 12 free
4x36	35.95/doz + 12 free
6x48	40.95/½ doz + 6 free
6x89	66.95/½ doz + 6 free

Grits available: 36X to 320X

FULL LINE OF 9x11 SHEETS

A/O or GARNET Cab. Paper	
80-D	\$25.00/¢
100-C to 150-C	23.00/¢
180-C & 220-C	21.00/¢
Silicon Carbide Non-loading	
80-B	30.50/¢
100-B to 150-B	26.50/¢
180-B to 400-B	21.50/¢
S/C Wet/Dry and Cloth	
Sheets - Call for Pricing.	

All cloth belts Aluminum Oxide Resin Bond w/bi-directional butt splice
ALSO AVAILABLE: Stroke Sanding Belts; Belt Cleaning Sticks; Inflatable Drums and Sleeves; Cloth/Paper Discs (PSA/Hook & Loop) Wide Cloth and Paper Belts; Drum Sanding Rolls and MUCH MUCH MORE!

Call For Price Quotes • Orders • Free Catalog

Please add \$5.00 S & H / PA Residents add 6% Sales Tax

Money Orders • Checks

INDUSTRIAL ABRASIVES CO.

642 N. 8th St. Dept. HW
P.O. Box 14955
Reading, PA 19612

1-800-428-2222

Mon.-Fri. 8am-4:30pm EST

Fax: 1-610-378-4868

Anytime

Make More Money With a Hands-On Career

Construction begins on 1.4 million homes a month in the U.S. — that's 1.4 million chances for you to make money if you have the right skills!

ICS can train you for a career in any one of nine great construction-based fields, from Carpenter to Home Inspector! You'll get proven distance training, professional-quality tools from Craftsman® and Stanley®, and unlimited toll-free instructor support.

Earn Big Money!

Your training can start you toward a high-paying job! Earn more than \$50,000 a year as a Plumber ... \$43,000 as a Mason ... as much as \$100.00 an hour as a Home Inspector ... and those are only a few of the great careers you can choose! Plus you'll find opportunity everywhere, because skilled construction professionals are needed in every city and town!

Learn the Skills You Need to Succeed!

You need to know how the job is done today and how it will be done tomorrow. You need up to date career skills and "hands-on" experience with today's technology. When you train with ICS, you're on the cutting edge because our programs reflect the most modern methods used on the job site. From the roof to the foundation, the power to the pipes, you'll have the knowledge you need to get started fast!

No matter where you live, you can master the skills you need to break into these lucrative careers with the ICS proven "Quick-Learn" method of instruction.

- Train at home, the hours you choose.
- Lessons broken into "bite-sized" units for quick mastery.
- Keep your present job while you train.
- No previous experience needed.
- Everything explained, step by step, in plain English.

Start a money-making career in a year or less!

Mail Coupon Today for Free Information!

Find out how you can train in your spare time to make money in one of these great construction careers! Check the career you are most interested in on the coupon below, fill in your name and address and return it to ICS!

Or call toll free:

1-800-595-5505
ext. 1626

Call Anytime—24 hours a day,
7 days a week.
<http://www.icslearn.com>

**SEND TODAY
FOR FREE FACTS!**



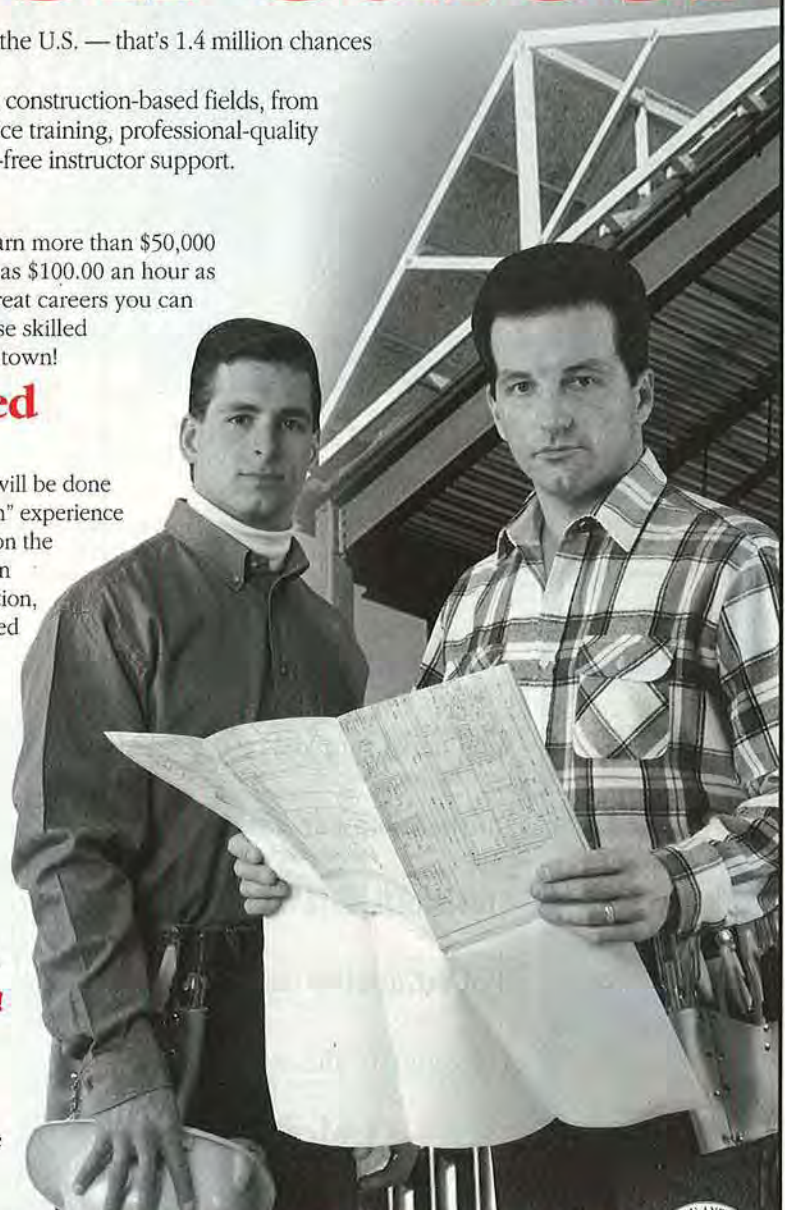
International Correspondence Schools

Dept. A8DS97S, 925 Oak Street, Scranton, PA 18515

Yes! Please send me free information on how I can train at home in my spare time for a better job, more money, and a new career. Check One Only!

- | | | |
|--|---|---|
| <input type="checkbox"/> 104 Carpenter | <input type="checkbox"/> 156 Welder | <input type="checkbox"/> 15 Home Inspector |
| <input type="checkbox"/> 151 Plumber | <input type="checkbox"/> 145 Home Remodeling & Repair | <input type="checkbox"/> 06 Electrician |
| <input type="checkbox"/> 152 Mason | <input type="checkbox"/> 148 Drywall Contractor | <input type="checkbox"/> 31 Professional Locksmithing |

Name _____ Age _____
Street _____ Apt.# _____
City/State _____ Zip _____
Phone (_____) _____



Steel Buildings

50% Savings* 100% Satisfaction.
Don't settle for half the deal.



SAVE NOW!

When you buy a SteelMaster building we make sure you get the whole deal. We'll not only save you money, we'll make sure you're 100% satisfied with our building. SteelMaster provides the highest quality steel arch buildings in the world.

Special Notice:
 Additional discounts available on selected factory unclaimed buildings:
 25x36 • 30x48 • 40x82 • 50x120



* up to 50% off retail on selected models and sizes



CALL TODAY 1 800 888-4606

SteelMaster Buildings, 353 Industrial Park Dr, Boone, NC 28607

Circle No. 2130

THE WOODTURNERS CATALOG



Craft Supplies USA offers Woodturners the finest selection of woodturning tools and accessories anywhere. We carry signature tools such as Henry Taylor Custom Tools, Woodfast lathes, Vicmarc mini lathes, One Way and Axminster chucks, McNaughton systems, pen and pencil kits, and Dale Nish Workshops.

We offer the very lowest prices at all times and guarantee every product we sell. So give us a try, call now for your **FREE** copy of The Woodturners Catalog!

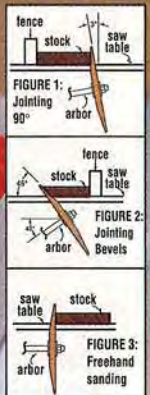
CRAFT SUPPLIES USA
1-800-551-8876

1287 EAST 1120 SOUTH PROVO UTAH 84606
 Visit us on the internet at: www.craftusa.com

Circle No. 830

MAKING WOODWORKING EASIER AND MORE ENJOYABLE THROUGH INNOVATIONSM

TURN YOUR SAW INTO A PRECISION JOINTER/EDGE SANDER



Joint edges accurately on your radial arm or table saw. A 3° taper on one side allows the workpiece to slide past it with only a small area of the sanding disc touching the workpiece. The flat side of the disc may be used for ordinary sanding. 10" dia. aluminum with a 5/8" arbor hole. PSA abrasive discs are cloth backed, alox with a 3-1/2" hole. Instructions included.

95-430		Tablesaw Jointer/Edge Sanding Disc		\$29.95
817-766	40 Grit	\$3.15	817-780	80 Grit \$2.80
817-773	60 Grit	\$2.80	817-787	120 Grit \$2.80

Woodworker's Supply, Inc.

LEICHTUNG WORK SHOPS.

Fine Products for the Workshop
 A Division of Woodworkers Supply®, Inc.

"Where the experts buy their tools"SM

FREE shipping when ordering from this ad: Mention code WM1197
 One year catalog subscription (6 or more issues) \$10.00, or free with your order.

1108 North Glenn Road • Casper, Wyoming 82601

ORDER TOLL FREE 1-800-645-9292

Circle No. 970

DELTA TOOLS		
Model	Description	List Sale
31-695	6" Belt/9" Disc Sander	441 309
23-710	New Sharpening Center	217 169
23-680	6" Bench Grinder 1/4 HP	80 69
31-460	4" Belt/Disc Sander	199 125
40-560	16" 2 speed Scroll Saw	230 155
40-540	NEW 16" var/spd Scroll Saw	249 189
11-990	12" Bench Drill Press	255 184
11-990	32" Radial Bench Drill Press	405 309
43-505	1/2" Bench Router/Shaper	399 299
22-540	12" Bench Top Planer	329 239
28-195	NEW 10" Band Saw	390 309

WAP VACUUMS		
Model	Description	List Sale
766RDF	10 gal turbo vacuum	845 465
766RDF-D	"Drywaller" 10 gal turbo vacuum	915 549
766RDF-DAS	Above vac w/ auto star	950 589

MAKITA TOOLS		
Model	Description	List Sale
5090D	3-3/8" Saw Kit 9.6 volt	280 148
DA391D	3/8" angle Drill 9.6V	166 109
DA391DW	3/8" angle Drill Kit 9.6V	341 185
ML900	Incandescent Flashlight 9.6V	19.95

NEW CORDLESS DRILLS		
WITH 2.0 AMP HIGH CAPACITY BATTERIES		
6231DWAE	12V 3/8" Drill Kit	325 169
6233DWAE	14.4V 3/8" Drill Kit	358 199

SUPER CORDLESS SPECIALS		
Model	Description	List Sale
8073DW	7.2V cdl's Drill Kit Variable speed & clutch. Complete with battery, charger, & case.	99

9900B		
Model	Description	List Sale
9900B	3"x21" Belt Sander w/bag	347 179
9924DB	3"x24" Belt Sander w/bag	360 189
4010B	Orb. var. spd Jig Saw 3.5A	292 155
JR3000V	w/ spd Recip Saw w/case	264 135
9820-2	Blade Sharpener	433 215
N1900B	3-1/4" Planer with case	263 139
1912B	4-3/8" Planer	352 199
N5154B	4" Disc Grinder 4.6 amp	118 65
DA3000R3B	Angle Drill	355 179
2708W	8-1/4" Table Saw	637 309
6405	3/8" Drill Rev. 0-2100 rpm	115 65
6510LBR	3/8" Drill Rev. 0-1050 rpm	188 99
6013BR	1/2" Drill Rev. 6 amp	270 149
9401	4" x 24" Belt Sander w/bag	458 215
9007NBK7-1/4"	Circ Saw w/case	250 129
LS1011	10" Slide Compound Saw	995 429
LS1211	12" Slide Compound Saw	1620 779
3901	Plate Joiner Kit	376 199
3612C	NEW 3 HP Plunge Router	492 279
LS1040	NEW 10" Cmpnd Mitr Saw	460 259
LS1013	NEW 10" Dual Compound Slide Mitr Saw	1088 599
BO5010	NEW 5" Random Orbit Sander with dust pickup	142 72

SENCO AIR NAILERS		
Model	Description	List Sale
SPN1-A	Finishing Nailer 1" - 2" w/cs448	345
SN325	Nailer 1-7/8" - 3-1/4"	665 419
SN220	Pinner w/cs 5/8" - 1-5/8"	422 279
SKS	Stapler 5/8" - 1-1/2"	390 279
SN70	Framing - C/lt Hd 2"-3-1/2"	725 449
SN80	Framing - Full Hd 2"-3-1/2"	708 459
SN65	15% more power than SN6709	465
SPN40	Finish Nailer 1-1/4" - 2-1/2"	569 389

BOSTITCH AIR NAILERS		
Model	Description	List Sale
N80S-1	Stick Nailer	339
N80C-1	Coll Nailer	339
RN45	Coll Roof Nailer 3/4" - 1-3/4"	369
N60FN-2K	Finishing Nailer w/ case	557 295
BT35-2K	Brad Tacker 5/8" - 1-3/8" w/case, oil, & brads	279 125
CWC100	1 HP Pancake Compressor	440 289
MIIFS	Flooring Stapler 15 gauge	902 529
S32SK-1K	Finishing Stapler 1/2" - 1-3/8" w/case & oil	269 145

SKILL TOOLS		
Model	Description	List Sale
77	7-1/4" Worm Drive Saw	158
77M	77 Mag Worm Saw	168

PANASONIC CORDLESS		
Model	Description	List Sale
EY6181CRKW	9.6V Drill Kit w/ 2 batteries, 1 hour charger, & case	307 169
EY6100EQKW	12V Drill kit w/ 2 Ironman batteries, 15 min. charger, & case	379 179
EY6100SEOK	Same as above but has 1 Ironman battery and 1 diagnostic battery	342 204
EY6101SQK	12 volt 1/2" Drill w/ 15 min. charger, diagnostic battery, & case	438 249
EY6101EQKW	Same as above but has two Ironman batteries	542 249
EY3502EQKW	NEW 4-3/8" 12V Metal Cutting Saw Kit	500 289

PASLODE IMPULSE GUNS		
Model	Description	List Sale
IM250	Trimplate Finish Nailer Kit	1130 548
IM325	Impulse Framing Nailer Kit	1130 548
CT325SS	Cdls Framing Nailer Kit	1120 495

CLAYTON OSCILLATING SPINDLE SANDERS		
Model	Description	List Sale
140	Portable sander w/ 4-1/2" spindle	625 559
146	Portable sander w/ 9" spindle	665 609
100	Floor mount sdr 4-1/2" spindle	785 709
106	Floor mount sander 9" spindle	845 759

SIOUX TOOLS		
Model	Description	List Sale
8030	3/8" var/spd Drill	263 149
8000	3/8" var/spd close qtr Drill	211 125
690	5" Air Random Orbit Sander	228 132

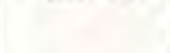
1997 TOOL CATALOG AVAILABLE
 Call Toll-Free 1-800-328-0457 In Minn. Call (612)224-8859
 FAX: (612)224-8263
CHECK • MONEY ORDER • VISA • MASTERCARD • DISCOVER
SEVEN CORNERS ACE HDW. Inc.
 216 West 7th St. • St. Paul, MN 55102 • Est. 1933

NEW Dewalt Bench Top Tools

DW708
 12" Dual Compound Slide Mitr Saw
 Sale \$79

DW788
 20" Scroll Saw
 Sale \$49

DW733
 12" Planer
 Sale \$49



High Performance Industrial Tools

TOOLS ON SALE
 AMERICA'S LOWEST PRICED TOOLS
 FREE FREIGHT TO THE 48 CONTINENTAL STATES ON EVERY ITEM
 (PRICES SUBJECT TO CHANGE WITHOUT NOTICE)

DEWALT TOOLS		
Model	Description	List Sale
DW321K	Top Handle Jigsaw Kit	300 164
DW364	7-1/4" Circ. Saw w/brake	294 162
DW610	1-1/2 HP 2 handle Router	265 152
DW411	1/4 sheet Palm Sander	88 58
DW100	3/8" Drill, 4 amp, 0-2500 rpm	118 69
DW682BK	Biscuit Joiner with case	448 199
DW705	12" Compound Mitr Saw	734 359
DW625	3 HP w/ spd Plunge Router	542 279
DW625	router comes with DW6913 edge guide!	
DW621	NEW 2 HP Plunge Router	400 218
DW621	comes with Free DW6956 fine height adjuster	

DW675K	3-1/8" Planer with case	292 164
DW431	3 x 21" v/spd Belt Sander	336 180
DW421	5" Ram Orb Sander	144 74
DW444	6" Ram Orb Sander	286 145
DW443	DW444 w/hook & loop pad	266 145
DW673KNEW	Laminate Trimmer Kit	364 188
DW274	Drywall Gun, 0-4000, 6.5 amp	288 159
DW268	Teq Gun, 0-2500, 6.5 amp	288 159
DW935K	14.4V 5-3/8" Trim Saw Kit with 2 batteries	444 237

DEWALT CORDLESS DRILLS		
Model	Description	List Sale
DW952K-2	3/8" variable speed w/ two 9.6V XR batteries	284 129
DW962K-23/8"	variable speed w/ two 9.6V XR batteries	330 179
DW972K-23/8"	variable speed w/ two 12V XR batteries	362 182
DW904	12 volt flashlight	48 29.95
DW972K-2	drill & DW904 flashlight	342 199

DW991K-23/8"	variable speed w/ two 14.4V XR batteries	415 209
DW994KQ	1-1/2" variable speed w/ one 14.4V XR battery	458 239
DW996K-21/2"	v/spd w/ two 14.4 XR bat	259 159
DW991KS-2	DW991K drill, DW935 trim saw, & case	540 349

DEWALT 18 VOLT CORDLESS TOOLS		
Model	Description	List Sale
DW936K	NEW Recipro Saw Kit	520 289
DW995K	1/2" Drill Kit	428 229
DW997K	1/2" Drill/Hammer Drill Kit	454 249
DW936K	5-3/8" Saw Kit	458 249
DW995KS-2	DW995K Drill, DW936 Saw and case	540 395

HITACHI TOOLS		
Model	Description	List Sale
C0FB2	8-1/2" Slide Compound Saw	1169 489
C10FC	10" Mitr Saw	533 199
C10FS	10" Slide Compound Saw	1627 739
C15FB	15" Mitr Saw	1346 659
NV45AB	Coll Roofing Nailer	935 399
NV45AA15	g. Brad Nailer 1-1/4" - 2-1/2"	636 365
C10RA	NEW 10" Table Saw	632 319

BISEMEYER FENCES		
Model	Description	List Sale
B-50	50" Commer. Saw	443 325
T-SQUARE 52	52" Homeshop	360 275
T-SQUARE 40	40" Homeshop	335 255
T-SQUARE 28	28" Homeshop	325 245

PONY CLAMP FIXTURES		
Model	Description	List Sale
50	3/4" Black Pipe	15.45 8.10 92.50
52	1/2" Black Pipe	12.65 6.95 74.50

BOSCH		
Model	Description	List Sale
1587VS	Top Handle "CLIC" Jig Saw	292 139
1587VSC	1587VS saw with case	349 149
1584VS	Barrel "CLIC" Jig Saw	288 139
Bosch Metal	case for above Jig Saws	20
Bosch	30 blade assortment for Jig Saws	28.99

1584VSS	Recip Saw 10.5 amp	335 159
3310K	12V T-handle Drill Kit	345 175
3610K	14V Drill Kit	354 195
3107DVS	5" Random Orbit Sander	165 98
3107DVS	3107DVS with case	195 115
3725DVS	5" Random Orbit Sander	256 149
3727DVS	6" Random Orbit Sander	266 154
1010	10" Slide Compound Saw	1050 589
B7001	Detail Sander - var/spd	542 89.95
11224VSR	7/8" SDS Rotary Drill	404 229

STABILA LEVELS		
Model	Description	List Sale
21990	NEW 10" Torpedo Level	12.95
24640	24" Level w/ hand holes	62.20 40
24670	48" Level w/ hand holes	79.70 53
24610	48" Level w/ angle setter vial	80 55

24610	level comes w/ Free 21990 Torpedo level!	
24660	72" Level w/ hand holes	145.49 99
27170	48" Level w/ hand holes	71 49
27000	78" Level w/ hand holes	146 105

AIRY AIR NAILERS		
Model	Description	List Sale
02415K	Brad Nailer 3/8" 1 9/16"	180 96
02505K	Brad Nailer 3/4" 2"	236 164
02655K	1/4" Crown Stapler 3/8" - 1"	194 104
	Above Nailers come w/case, fasteners, oil & wrenches	
0565T	Angle Finish Nailer 1"-2-1/2"	386 205

RECORD WOODWORKING VISES		
Model	Jaw/Width	Opening List Sale
53E	10-1/2" x 15"	Quick release 248 109
53D	7 7/8"	Quick release with dog 169 79
52-1/2D	9 1/3"	Quick release with dog 231 95

PORTA NAILER		
Model	Description	List Sale
401	Porta Nailer complete	295 209
501	Face Nailer complete	295 209

DAVID WHITE		
Model	Description	List Sale
LP6-20	Sight Level package - 20x	329 215
LP6-20XL	LP6-20 w/9056 tripod & 7620 rod	269
LT8-3000	Level Transit - 26x	739 489
LT8-300P	above Level w/ optical plumb88 565	419 269
AL76-900Auto	Level - Transit - 18x	666 429
ALTP6-900	above Level with tripod & rod	789 499

ALP6-18HD	above Level w/ Tripod & rod	789 499
LL100	Finish Line Laser Level	199 135
ML200	NEW Visible Beam Laser	979 799
ML200L	ML200 w/o detector & rot bracket	749 625

RYOBI SPECIALS		
Model	Description	List Sale
RE600	3 HP Plunge Router	500 235
BE321	3"x21" v/spd Belt Sander	310 139
BT3000	10" Table Saw w/ stand	1125 539
AP12	1/2" Bench Planer	884 389
OS5450	Oscillating Spindle Sander	340 159
CD125K	12V cordless Drill w/ 2 bat 175 109	
WDS1600	16"x32" Drum Sander	980 569
DBJ50	NEW Detail Biscuit Joiner	114 69

Mxse6362	FEIN Triangle Sander w/spd	199
Mx625	FEIN New Air Triangle Sander	195
LPN672	POIN Air Palm Nailer w/glove	89
RTM01	ROTOZIP Drywall cut out unit	68.85

QUAL-CRAFT PRODUCTS		
Model	Description	List Sale
2200	Pump Jack	79 58
2201	Pump Jack Brace	30 20
2203	Pump Jack guard rail holder	31 21
2204	Workbench & rail holder combo	53 39
2500	Adjustable Roofing Bracket	9.95 7.95
	Buy any 6 (can be assort.) deduct 10%	
2601	Wall Jack	167 108
	Lots of 4 deduct additional 10%	

A Great Big Thanks To You!



From bottom left: Jan Hale Svec, assistant design editor; Margaret Closner, production manager; Jim Downing, design editor; Marlen Kemmet, how-to editor; Natalie Cooley, administrative assistant; Lee Gatzke, art director; Larry Johnston, special-interest editor; Kerry Gibson, general-interest editor; Cheryl Cibula, senior graphic designer; Jim Harrold, managing editor; Bill Krier, assistant managing editor; Perry McFarlin, associate art director; Pete Stephano, features editor; Mike Satterwhite, contributing editor; Chuck Hedlund, project builder; (missing, Larry Clayton, editor, see *page 2*; Barb Helps, administrative assistant). Can you spot the four people in the photograph *above* who helped produce the premier issue of *WOOD* magazine back in September 1984? The fifth is on the cover of this issue. See the answers *below*.

On this, the publication of our 100th issue of *WOOD*® magazine, we want you, our readers, to know that we appreciate your support. And, we pledge our best efforts to you in the future.

— *The WOOD magazine gang*

© 1997 MVA, Inc.



**Some Folks Are Morning People By Nature.
Others Are Morning People By Trade.**

UNIROYAL
LAREDO
Tried. And True.™



There's a good reason Laredo® Light Truck Tires are made tough with DuraShield® construction. They're put to the test every day to be as reliable, as dependable and as true as the folks who choose them.



In a durability test, the competitor's hammer lasted 60 seconds. If you happen to need one for longer than that, buy a Stanley hammer.

This picture tells the story better than any words can. In our overstrike tests, the Stanley hammer outlasted the competitor's brand by a 4 to 1 ratio.*

You see, after years of research (and a whole lot of sleepless nights) our engineering department concluded that jacketed, solid-core fiberglass is more durable than the compression-

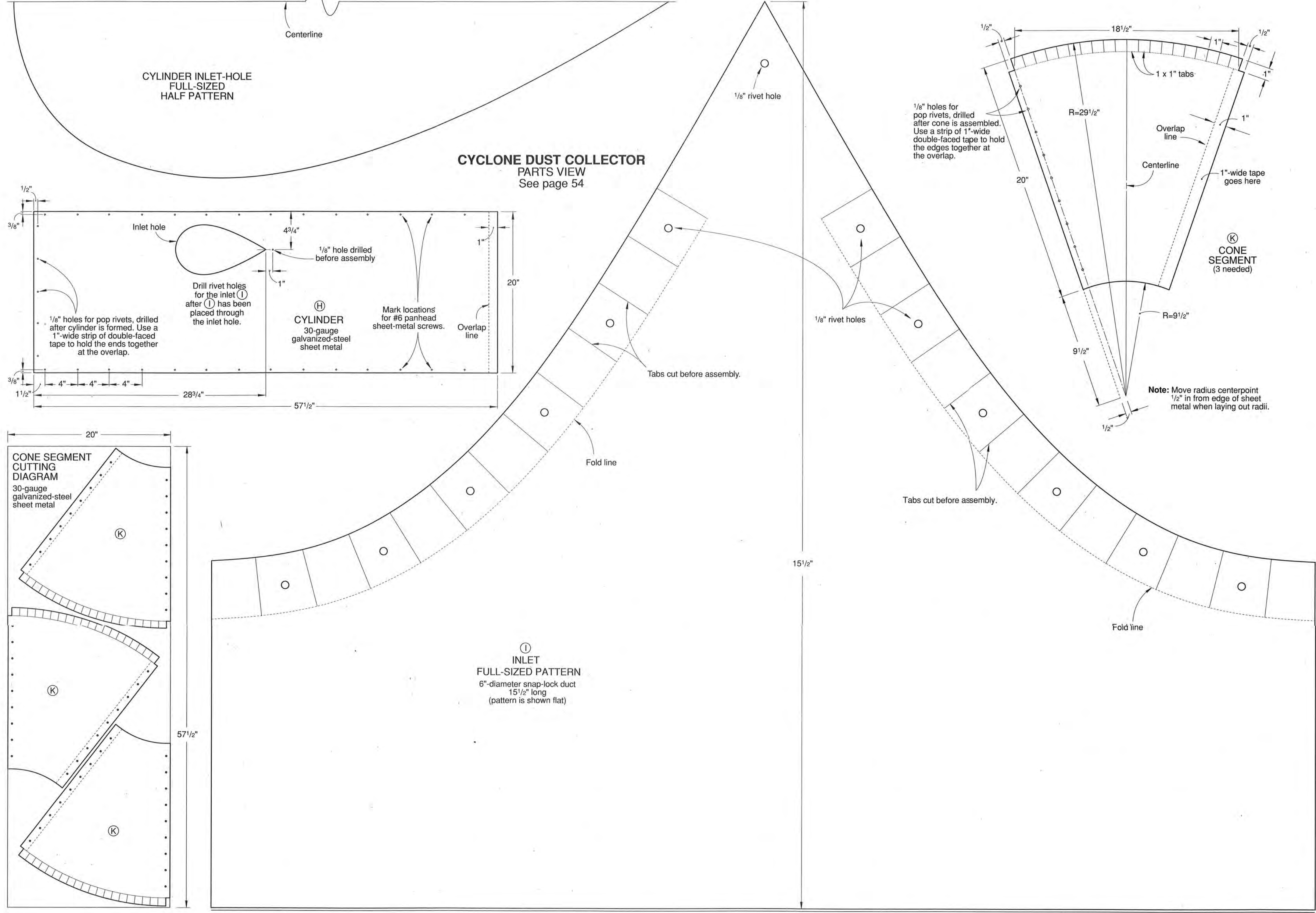
molded variety some of our competitors use to make their hammers.

That's the Stanley philosophy. Don't quit working until your product is perfect. You'll find this kind of dogged determination across the board at Stanley. In everything we make. Like a garage door insulated to reduce noise. Or a closet organizer made

with steel planks instead of wire so it doesn't wrinkle your clothes.

It's innovative thinking like this that's kept us ahead of the competition for more than 150 years. At Stanley we're not happy simply churning out products. We're only happy when our products are better than anyone else's.

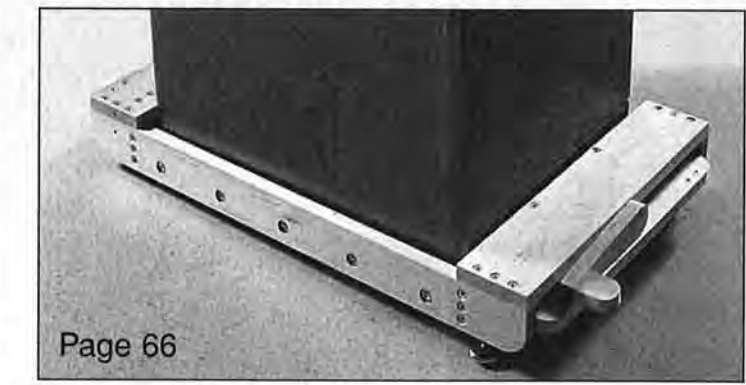
STANLEY
helps you do things right.



Better Homes and Gardens®
WOOD PATTERNS®
Full-sized for your woodworking convenience®

NOVEMBER 1997 ISSUE 100

Dear Reader: As a service to you, we've included full-sized patterns on this insert for irregular-shaped and intricate project parts. You can machine all other project parts using the Bill of Materials and the drawings accompanying the project you're building.



- Cyclone dust collector
- Mobile tool base
- Toddler bike

© Copyright Meredith Corporation, 1997. All rights reserved. Printed in the U.S.A.

