

Better Homes and Gardens®

# WOOD

THE MAGAZINE FOR HOME WOODWORKERS

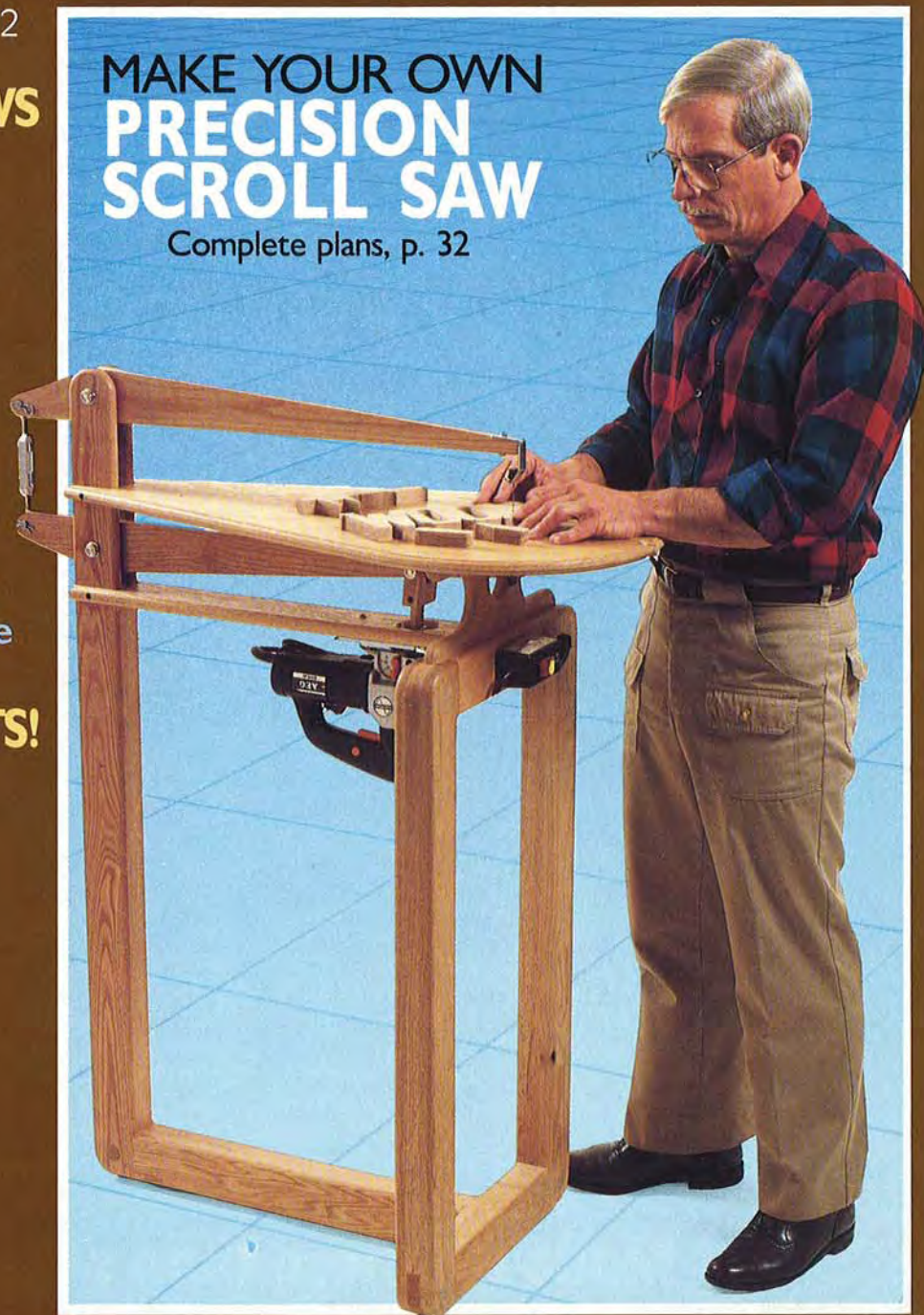
\$3.50

AUGUST 1986 • ISSUE NO. 12  
Display Until August 19

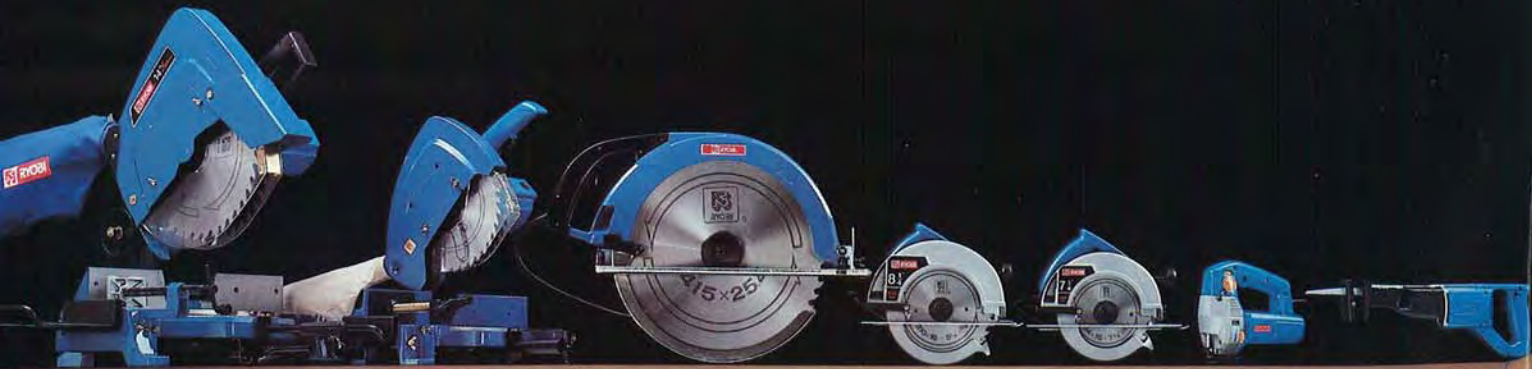
- **POWER MITER SAWS**  
*WOOD* reviews  
a new breed of  
compact cutoff saws
- **CARVING FINISHES**  
3 pros share  
their secrets
- **DOWN AT THE  
OL' SAWMILL**  
How they turn  
logs into lumber
- **OLD HAND TOOLS**  
Tips on restoring these  
timeless treasures
- **PROJECTS! PROJECTS!**  
Pint-sized tow truck  
Table-saw extensions  
**\*QUICK 'N' EASY\***  
Serving tray  
Tie rack  
Sandpaper bin  
Parrot magnets  
Bookends

## MAKE YOUR OWN PRECISION SCROLL SAW

Complete plans, p. 32



# WE DON'T CUT CORNERS.



Instead, we offer professionals and serious craftsmen saws built right and equipped with the right features. The result? Saws that cut corners and virtually anything else with more speed, power, accuracy and reliability than run-of-the-mill power tools designed for occasional use by weekend novices.

The professional features on our JSE-60 jigsaw will show you what we mean. This variable speed saw features an electronic

module that delivers constant speed with full torque on any job. An adjustable orbital action control to tailor the saw to the material being cut. And ball-bearing construction with hardened gears for super durability.

In short, it's made to make sawdust every day instead of gathering dust in between projects. Look for Ryobi saws and get the power tools made for more than weekends.

---

---

## Made for more than weekends.



1158 Tower Lane  
Bensenville, IL 60106

# COMPARE

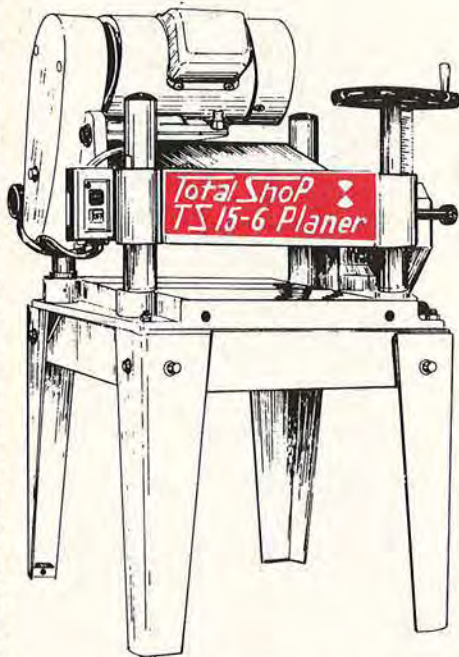
## Total Shop®

WITH SHOPSMITH.®  
 You'll actually see  
 the improvement.

*For Example:*

1. 1½hp motor develops nearly 3hp while Shopsmith® motor is 1⅛hp developing 2hp.
2. Motor can be altered by owner to 220V. Shopsmith® does not have this option.
3. In more than 85% of the comparisons, the Shopsmith® machine is priced higher than the Total Shop® machine.

*Let us send you 11 more reasons  
 Total Shop is a better buy.*

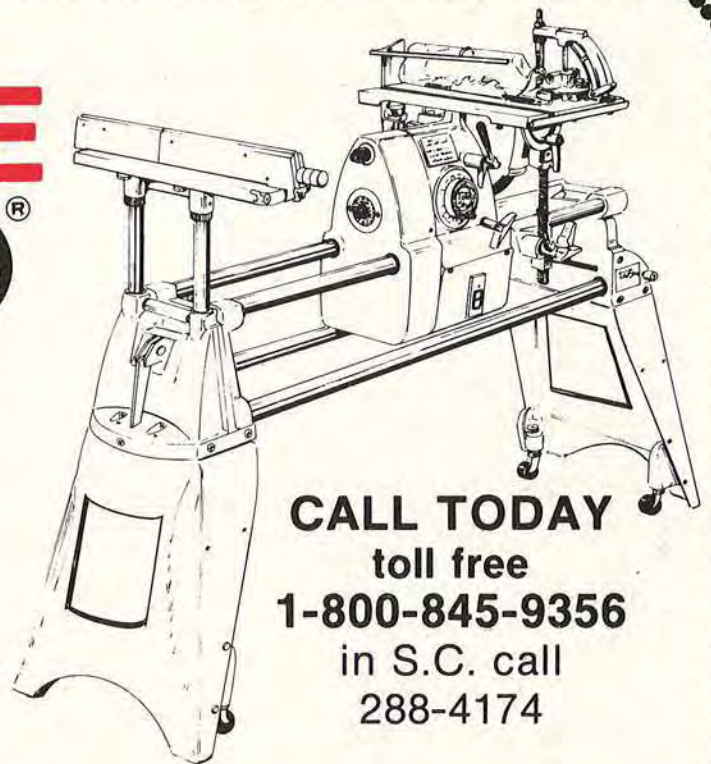


Total Shop®

TS 15-6 Planer

- 110 V or 220 V
- Stand & dust collector available
- 2 HP or 5 HP motor
- 15" width, 6" thickness

**Attention Shopsmith® Owners:  
 Call today for our accessory brochure  
 and save money.**



**CALL TODAY**  
 toll free  
**1-800-845-9356**  
 in S.C. call  
 288-4174

Total Shop®

**has proudly  
 created an in-home  
 WOODWORKING  
 VIDEO.**



- The first of its kind!
- 30-min. presentation of the Total Shop and the TS 15-6 Planer.
- In-home viewing.
- \$20.00 refundable deposit.
- Available in VHS and Beta.

**Now you can see  
 our product at work  
 before you buy.**

clip and mail coupon for: Free Informational Kit

Total Shop®

Dept. Q  
 P.O. Box 16297/Greenville, S.C. 29606

Your Name \_\_\_\_\_

Address \_\_\_\_\_

City \_\_\_\_\_ State \_\_\_\_\_ Zip \_\_\_\_\_

Phone \_\_\_\_\_

- Multipurpose tool    TS 15-6 Planer  
 Video (\$20.00 deposit enclosed)

©United Metal Services, Inc.

# Money Machine.

This revolutionary invention, the *Paralok Table Saw Fence* makes cutting at least *seven times more accurate* than any other fence... much faster... and is super simple to operate.

## Time was.

"We spent hours in the shop fighting with our rip fence and usually losing. Finally we retired it to a corner and resorted to a 1"x6" and pair of C-clamps. At least it was accurate. But crude and slow. We remember the test cuts, measuring front, blade and rear... tapping to get everything in place, only to repeat it again for the next cut."

## We set out to solve the problem.

Our ideas lead to the invention of the Paralok Fence. It took three years to perfect it. Now it is perfect and accurate. How accurate? Accurate in thousands of test cuts to .002" or less. This Paralok Fence saves time and materials and that spells *money*. We call it the *money machine*.

In the two years we've been marketing the Paralok Fence nationwide, we haven't talked to one customer who doesn't agree.

## How it works.

The Paralok fence works on the same principle as a drafting table. Super strong aircraft cable (5/64", 49 strand) runs in a closed loop around 6 precision ground ball bearing pulleys located underneath the rails. The aircraft cable is engaged by the fence in both the front and rear. Move the front end 1/64" and the back goes 1/64".

*Single handed operation.* Lift up the handle and slide the fence down the rails with one hand. Use the combination of the tape mounted on the front rail and the vernier cursor next to the handle to set the fence at intervals of 1/64". You'll march right through your cutting list without having to stop the motor.

*Both the front and rear lock.* Two hefty locks, each with 750 pounds clamping pressure, independently lock the fence to the front and rear rails without squeezing the rails together. No distortion at the rear, no kickbacks due to binding the material.

## Owners tell us.

"I'm a believer, I've had the Paralok on for a week now and we won't part company. The action is smooth, the parallelness is absolutely dead on, and it locks with a commitment to purpose that should be an inspiration to us all." *G. B. Lee Baker, Redmond, Oregon*

"The Fence is incredibly accurate... It has cut the time of any saw work by a measureable amount... I wish we had gotten this fence about four years ago." *Bill Tongate, shop supervisor, Valley Cabinet & Trim, Ridgecrest, California.*

## More features.

The Paralok is easy to install, taking about 1 1/2 hours or less. (It can also be mounted with an auxiliary fence.) The Paralok is easy to remove for cross-cuts. It gives you long infeed and outfeed for better control. The fence is always perfectly parallel, even when being reset for the next cut. The anodized aluminum finish is tough, wear resistant and looks great. Because of such a smooth finish, material glides right through.

## Fits almost all table saws.

The Paralok fits *Rockwell-Delta, Powermatic, General, Wadkin-Bursgreen, Walker-Turner, Oliver, Jet, Sears Craftsman*, and most others.

The important dimension is the depth of your table saw from front to rear. Then select from rails in six sizes: 4', 5', 6', 6'8", 8', 8'8". That is gross length. You decide how much you want to the right and left of the blade.

## Standing behind our fence.

We're so confident you'll be more than pleased we offer a *five year warranty* on parts and labor for defective material or workmanship. And, if you're not satisfied with your Paralok, send it back in 30 days for a full refund.

## For more information.

Give us a toll free call. We'll answer any questions and direct you to your nearest dealer (Dealer inquiries invited.) If we don't have a dealer near you yet, you can place your order direct.

We figure the Paralok Fence makes about ten million existing fences obsolete. And the real bonus is that it pays for itself — quick.

## Paralok<sup>™</sup> Quintec Marketing

Post Office Box 736  
Newberg, Oregon 97132  
Call 1-800-423-9611  
Oregon & Alaska call 503/538-1875 collect

## Better Homes and Gardens<sup>®</sup> **WOOD**

THE MAGAZINE FOR HOME WOODWORKERS

August 1986 • Vol. 3, No. 4 • Issue No. 12

### Editorial/Art Staff

Editor **LARRY CLAYTON**  
Managing Editor **DAN KAERCHER**  
Art Director **C. L. GATZKE**  
Design Editor **JAMES R. DOWNING**  
Features Editor **PETER J. STEPHANO**  
How-To Editor **MARLEN KEMMET**  
Project Builder **JAMES E. BOELLING**  
Graphic Designer **PERRY A. McFARLIN**  
Administrative Assistant **DARLENE REYNOLDS**

Technical Consultants: **GEORGE GRANSETH** Product Testing; **VERNON U. WARD** Collectible Tools; **PAUL L. McCLURE** Wood Technology

Editorial Director **DORIS M. EBY**  
Publishing Director **ADOLPH AUERBACHER**

### Editorial Services

Executive Director **DUANE L. GREGG**  
Director, Editorial Research **C. RAY DEATON**  
Administrative Editor **ROSE ANDERSON**

### Publisher **JERRY KAPLAN**

New York Advertising Manager **MARK S. HART**  
Promotion/Research Director **THOMAS J. TROLAND**  
Circulation Director **WILLIAM HUMMEL**  
Production Director **DALE SCHENKELBERG**

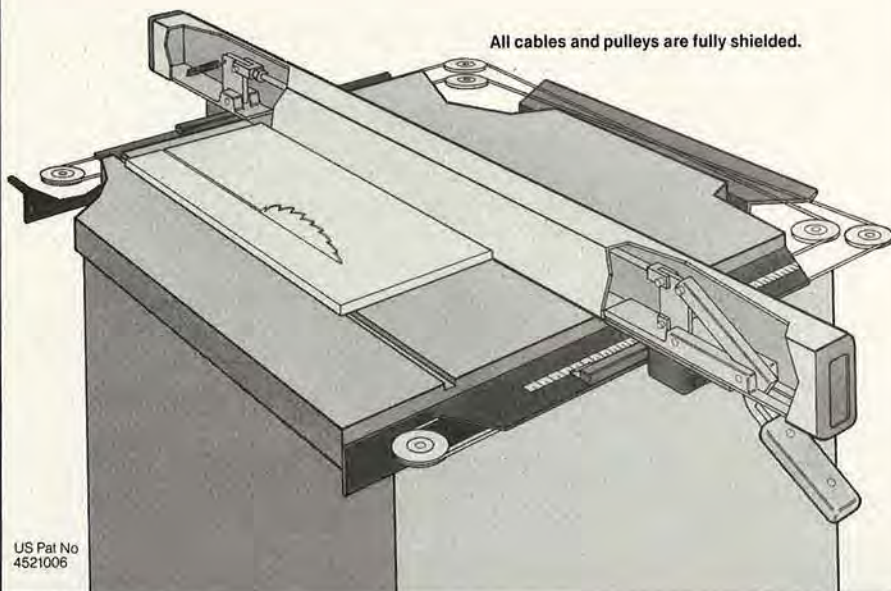
### Magazine Group Officers

Group President **JAMES A. AUTRY**  
Group Vice Presidents  
Editorial Director **DORIS M. EBY**  
Publishing Director **ADOLPH AUERBACHER**

### Corporate Officers

Chairman of the Board **E. T. MEREDITH III**  
President **ROBERT A. BURNETT**  
Executive Vice President—Corporate Services  
**JACK D. REHM**  
Group Presidents: Magazine **JAMES A. AUTRY**; Broadcasting **W. C. McREYNOLDS**; Real Estate **ALLEN L. SABBAG**; Book **FRED STINES**  
Vice Presidents: Corporate Relations **DONALD L. ARNOLD**; General Counsel and Assistant Secretary **THOMAS G. FISHER**; Product Development **NEIL KUEHL**; Corporate Planning **HERB SCHULTE**; Finance **WILLIAM H. STRAW**; Administrative Services **GERALD D. THORNTON**  
Secretary **BETTY CAMPBELL MADDEN**  
Treasurer **MICHAEL A. SELL**  
Controller **LARRY D. HARTSOOK**

Better Homes and Gardens<sup>®</sup> WOOD — the magazine for home woodworkers (ISSN-0743-894X) is published bimonthly in February, April, June, August, October, and December by Meredith Corporation, 1716 Locust Street, Des Moines, IA 50336. Second-class postage paid at Des Moines, Iowa. Trademark registered in Canada and Australia. Marca Registrada en Mexico. **SUBSCRIPTION PRICES:** One year \$18 in the United States and its possessions. Canada and other countries add \$6 per year. **POSTMASTER:** Send address changes to WOOD, 1716 Locust Street, Des Moines, IA 50336. August, 1986, Vol. 3, No. 4, Issue No. 12. **CUSTOMER SERVICE:** For service on your magazine subscriptions, including change of address, write to Customer Service Manager **ROBERT AUSTIN**, P.O. Box 10628, Des Moines, IA 50336. Please enclose a recent address label.  
© COPYRIGHT MEREDITH CORPORATION 1986. ALL RIGHTS RESERVED. PRINTED IN U.S.A.



US Pat No  
4521006

# VIKING

**SOLID WOOD CLOCK KITS  
FAMOUS FOR QUALITY THE WORLD OVER**

*First Nationwide*  
**SALE!**



*Our Most Popular Kit...*

**The Wilmington  
SOLID 3/4" OAK KIT COMPLETE  
WITH SOLID BRASS MOVEMENT**

**Save \$153** OFF OUR CATALOG PRICE

SALE PRICE INCLUDES: •Solid 3/4" Oak Case Kit  
•Solid brass movement with blue moving moon dial.  
•Lyre Pendulum •Easy-to-build step-by-step instructions.  
The Wilmington is the finest value in a grandfather clock anywhere! Every top-quality feature is included. Satisfaction guaranteed or your money refunded. Includes FREE Vac  
Catalog price was \$528 **COMPLETE KIT SALE \$375**

**FREE \$50  
POWERFUL SHOP  
VAC WITH PURCHASE**

Order any of the clocks on sale in this ad and receive absolutely FREE this hand utility vacuum. Features:  
•Made in America •Powerful motor, perfect for workshop, car, kitchen or any home or office cleaning job.  
•1-year warranty •Complete with 3 tools. •Stores easily in closet or cupboard. Offer good while quantities last—order now!  
(Pay only \$4 delivery charge)



15 1/2 x 14 x 5 1/2 inches, 16 lbs.

*"Chimes like a full-size grandfather"*

**Save \$50**

**SOLID WALNUT KIT  
English Carriage with  
solid brass key-wound  
chiming movement.**  
Easy-to-build. 15 pieces of carefully crafted American Black Walnut wood. Solid brass chiming movement chimes Westminster every quarter-hour and strikes the hour.

Catalog price was \$219  
**COMPLETE KIT SALE \$169**

Includes FREE Vac

**Save \$84**

**SOLID 3/4" WALNUT KIT  
Victorian Teardrop with  
solid brass movement**

This unique kit contains:  
•Precision cut walnut parts  
•Solid brass movement with dial, hands, pendulum, brass hardware. •Pre-assembled door & crown •Silk-screened glass.

Catalog price was \$233

**COMPLETE KIT**

**SALE \$149**

Includes FREE Vac



23 1/2 x 13 x 5 1/2 inches, 16 lbs.



21 1/2 x 13 1/4 x 5 1/2 inches, 7 lbs.

**Save \$30**

**Eli Terry**

Our newest mantle clock. Solid wood kit with quartz movement & solid brass hardware, brass & wood pendulum.

Catalog price \$149  
**Complete kit sale \$119**  
Includes FREE Vac

75 x 16 x 10 inches, 68 lbs.

**PLACE YOUR ORDERS  
TOLL FREE  
1-800-321-1089**

**ALL MAJOR CREDIT CARDS ACCEPTED.**

Want to receive our FREE color catalog mailings? Send your name & address to:

**VIKING CLOCK CO.,** Box 490,  
Dept. WB486, Foley, Alabama 36536

**NOW!  
REDUCE THE  
RISK AT YOUR  
TABLE SAW**



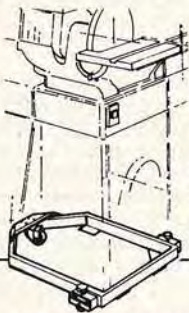
folds down neatly

WITH THE **MOBILE™**  
NEW **SAWING CENTER**

**OUTFEED ROLLERS**

- safe, accurate sawing
- handle panels with ease
- available in 15" and 37" widths
- dual-position table

**AND INCREASE FLOOR SPACE**



**MOBILE MACHINE BASES**

- increase shop working area
- maximize usable floor space
- 3 point base will not rock
- locking wheels
- makes machine so easy to use and store
- over 80 standard models

**PLANER STAND WITH ROLLERS**

- raises planer to proper working height
- provides machine mobility
- five-fold increase in workpiece support
- storage is a snap



**NEW**



**ROLLERTABLE  
Rock Solid Support**

- adjustable
- portable
- use at any machine

PEDESTAL  
ROLLER

Discover HTC's many unique products designed only with you, the dedicated woodworker in mind. Find out how you can make your machining safer, increase working area of your shop and accomplish nearly impossible tasks easily, quickly and accurately - **all by yourself!**

**CALL TODAY!**

HTC PRODUCTS, INC.  
120 E. HUDSON S-8  
ROYAL OAK, MI 48067  
(313) 399-6185



**1-800-624-2027 ext. 112**

Better Homes and Gardens®

**WOOD**

AUGUST 1986

ISSUE NO. 12

WOOD PROFILE

**BEECH: BEAUTIFUL, BOUNTIFUL, BENDABLE AND BARELY KNOWN** 27

This plentiful, cabinet-quality hardwood works like hard maple and bends like ash. You'll find it in everything from beer barrels to clothespins.



CRAFTSMAN CLOSE-UP

**LENDING A HELPING HAND** 28

Don Mostrom works in two worlds. For 3 months each year, he shares his skill in a training program for the disabled. Back in his own studio, he's an accomplished sculptor-turned-woodworker. What makes him tick?



HOMEMADE TOOL

**MAKE YOUR OWN PRECISION SCROLL SAW** 32

For about \$120 (not including the detachable jigsaw that supplies the power), you can assemble this ingenious tool in your own workshop.



FINISHING AND REFINISHING

**FABULOUS FINISHES: TOP CARVERS' PROVEN TECHNIQUES** 38

Most carving woods are plain-Jane—until a skillfully applied finish brings the project to life. Here's how three top notch carvers work their finishing magic.



JUST FOR KIDS

**NO JOB TOO SMALL! TUFF-STUFF TOW TRUCK** 42

Need a lift? Then delight a special youngster with this toddler-sized tow truck. It maneuvers with the best of 'em and takes lots of abuse. Best of all, you get a full, 5-year, 5,000-smile warranty.



TOOLS AND TOOL COLLECTING

**A GUIDE TO PRESERVING OLD HAND TOOLS** 48

Here's advice about restoring that timeworn gem gathering dust on the workshop shelf.

TOOL BUYMANSHIP

**POWER MITER SAWS: SUPER-ACCURATE CUTS—AT ANY ANGLE 52**

At long last, you can buy a saw that does exactly what you want it to do—make picture-perfect cuts with the flip of a switch. Here are the options and features to look for, plus a buymanship chart.



**FROM LOGS TO LUMBER . . . DOWN AT THE OL' SAWMILL 58**

Ever wonder what goes on at a hardwood mill? Features Editor Peter Stephano trekked up to the North Country last winter to report on this fascinating operation.



**DOUBLE-DUTY TABLE-SAW EXTENSIONS 64**

Make your table saw more versatile with these handy, do-it-yourself extensions. You get lots more work surface, and as a bonus, one extension even includes a built-in router table.

**5 QUICK 'N' EASY PROJECTS**

**OAK BREAKFAST TRAY 68**

Box joints help make this project as tough as it is eye-pleasing.



**ROUTER-SPECIAL TIE RACK 71**

Simply make the template, fit your table-mounted router with a flush-trim bit, and rout away.

**SANDPAPER STORAGE BIN 72**

Quick-grip shelf cutouts and a paper-tearing device mean less fumbling while finishing your projects.



**PARROT MAGNETS 73**

These birds of a feather are super little gifts. Make a bunch.

**BUNNY BOOKENDS 74**

Our clever kids' bookends slide on two dowels to help organize a mini library.




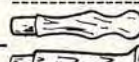
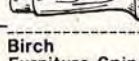
**SHORT-SUBJECT FEATURES**

Editor's Angle . . . . .	7	Project Showcase . . . . .	50
Talking Back . . . . .	8	Old Hand Ways . . . . .	79
Shop Tips . . . . .	14	Wood-Wise Quiz . . . . .	83
Wood Anecdote . . . . .	18	Associations . . . . .	85
Products that Perform . . .	19	Drill-Press Project . . . . .	86
Ask WOOD . . . . .	22	Customer Service . . . . .	87
Workshop Mistakes . . . . .	25	Rules for a Clean Shop . . .	93
Bulletin Board . . . . .	100		


**Woodworkers' Hardware ORDER FORM**


Qty. Total Note: C = 100

 **Black Hammer Hinge**  
\$2.70/2 \$1.62/2  
\$1.95/10 \$7.17/10  
Screws for above are included.

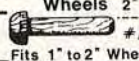
 **Birch Mug Peg**  
\$.43/ea. \$.25/ea.  
 **Birch Shaker Peg**  
\$.47/ea. \$.28/ea.

**Birch Furniture Spindles** 6 inch \$1.70/ea. \$.42/ea.  
9 inch \$1.20/ea. \$.72/ea.


 **#S4 Galley Spindle**  
Birch \$.28/ea. \$.17/ea.  
Oak \$.35/ea. \$.24/ea.


 **#S5 Galley Spindle**  
Birch \$.41/ea. \$.25/ea.

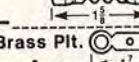
**Wood** 7/8" \$7.80/C/\$4.70/C  
1" \$11.68/C/\$6.00/C  
1 1/4" \$15.00/C/\$8.00/C  
1 1/2" \$18.35/C/\$11.00/C  
1 3/4" \$26.00/C \$15.60/C  
**Wheels** 2" \$32.60/C \$19.50/C

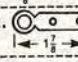
 **#AP1 Axle Peg**  
Fits 1" to 2" Wheel \$6.95/C/\$4.10/C

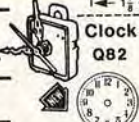
**Brass Plated Flat Head Wood Screws**  
(3/8" x #2) \$4.47/C \$2.20/C  
(1/2" x #2) \$4.28/C \$2.30/C  
(1/2" x #4) \$4.40/C \$2.40/C  
(1/2" x #5) \$5.03/C \$2.50/C  
(3/4" x #7) \$5.27/C \$2.60/C


 **Screw Hole Buttons**  
3/8" \$3.93/C \$1.70/C  
1/2" \$3.23/C \$1.70/C


 **Dowel Pins 3/8"x2"**  
\$3.98/C \$1.80/C


 **Saw Tooth Hangers**  
\$6.95/C \$4.17/C


**Brass PIT.**  **Picture Hanger**  
\$7.95/C \$4.70/C


 **Clock Movements w/Hands Q82**  
\$10.62/ea. \$6.48/ea.  
\$49.50/5 \$25.50/5


 **5" Clock Dial**  
— White Plastic  
\$2.50/ea. \$1.80/ea.


 **Lazy Susan Bearing**  
3" \$1.45/ea. \$.69/ea.  
4" \$1.60/ea. \$.96/ea.  
6" \$2.89/ea. \$1.73/ea.

 **Brass Plated Candle Cup**  
\$5.00/10 \$2.80/10  
\$49.00/C \$25.90/C

 **Two Prong, 6" Brass & Porcelain Hook**  
\$4.95/ea. \$2.97/ea.  
\$45.00/10 \$27.00/10

 **Three Prong, 6" Brass & Porcelain Hook**  
\$8.26/ea. \$4.95/ea.  
\$29.99/4 \$18.00/4

 **Jiggle Eyes**  
(1/4") \$2.45/C \$1.40/C  
(1/2") \$3.46/C \$2.00/C  
(4/5") \$6.86/C \$4.10/C

 **Disk Magnets**  
\$2.98/6 \$1.61/6

Note: C = 100

Catalog \$1.00 or free with order Total Order

Minimum Order is \$25.00 MN Res. - 6% Tax

Order Amount: \$25.00 to \$49.99 Shipping: \$3.50 Shipping

\$50.00 to \$99.99 Shipping: \$4.50 Total Enclosed

Over \$100.00 Shipping: \$5.00  Visa  Master Card

**MONEY BACK GUARANTEE!** Alaska, Hawaii, Canada & APO Orders Add \$6.00  VISA  MasterCard

SIGNATURE \_\_\_\_\_

CARD NO \_\_\_\_\_ EXP DATE \_\_\_\_\_

NAME \_\_\_\_\_

ADDRESS \_\_\_\_\_ CITY \_\_\_\_\_

STATE \_\_\_\_\_ ZIP \_\_\_\_\_ PHONE ( ) \_\_\_\_\_

**RYOBI TOOLS** List Sale

S500A	3x1/2 Finish Sander	70	41
SU6200	Finishing Sand. 1/2 Sheet	142	88
B7075	3x21" dustless Belt Sand.	179	116
B7100	3x24" dustless Belt Sand.	209	140
B7200A	4x24" dustless Belt Sand.	269	165
D100VR	3 3/8" VSR 0-1200 rpm drill	91	49
W640	7 1/4" 13 amp circular saw	158	99
W740	8 1/4" 13 amp circular saw	171	109
JS60	Jig Saw-Single Speed	172	99
JSE60	Jig Saw-electronic v/speed	198	123
R150	1 H.P. Plunge Router	138	86
R330	2 H.P. Router	220	138
R500	3 H.P. Router	265	163
E3800	Drywall screwdriver 0-4000	126	79
L1200	3 3/8" Planer	142	89
BD1020R	3 1/2" 2-spD Cordless Drill w/free holster-Xtra special buy	148	95
T2521U	10" Mitre Box	300	169
SG1150C	4 1/2" H.D. Mini-Grinder	99	59

**YOUR ATTENTION PLEASE!**  
All Above RYOBI TOOL Prices  
Take Additional 10% OFF Sale Prices

**MILWAUKEE TOOLS** List Sale

0224-1	3/8 drill 4.5A magnum	159	109
0234-1	1/2 drill 4.5A magnum	159	112
0244-1	1/2 drill 4.5A magnum	159	115
0222-1	3/8 drill 3.3A 0-1000 rpm	146	99
0228-1	3/8 drill 3.3A 0-1000 rpm	129	92
0375-1	3/8 close quarter drill		
	— NEW — 3.5 amp	175	118
0210-1	3/8 cordless drill		
	— NEW — 2 speed	154	95
6539-1	cordless screwdriver		
	— NEW — 190 RPM	84	59
1007-1	1/2" drill 4.5A D-Hdle	199	145
1107-1	1/2" drill 4.5A D-Hdle	204	145
3300-1	magnum rt angle drive kit	249	170
3102-1	Pimbrs rt angle drill kit	263	180
1676-1	HD Hole Hawk w/cse 2 sp	333	235
5395	3/8 sgle sp hammer drill kit	203	150
5397	3/8 var sp hammer drill kit	208	155
5371-1	HD mag. hammer drill 1/2"	287	207
5373	HD mag. ham. drill 3/8"	240	175
6511	2 speed Sawzall w/case	181	122
6226	port band saw 2 sp w/case	382	280
6234	TSC band saw port w/case	382	280
6405	8 1/4" circ saw 13 amp	179	127
6406	10 1/4" 15 amp w/case	349	245
6165	12" Chop saw 15 amp		
	4200 R.P.M.	285	189
6255	vsp Jig Saw 3.8 amp	199	140
6245	sgle sp Jig Saw 3.8 amp	175	125
6012	1/2 sheet HD orb. sander	159	110
6014	1/2 sheet HD orb. sander	169	112
5660	1 1/2 HP router 10 amp	265	175
5680	2 HP router 12 amp	314	220

**NEW FROM RYOBI**  
MODEL AP-10 — 10" Surface Planer  
WEIGHS ONLY 58 LBS.  
LIST 659.00 — SALE 375.00

**MILWAUKEE Super Specials!**  
\*\* BRAND NEW \*\*  
Model 0212-1 Cordless Variable Speed 3/8" Drill  
LIST...\$179.00 SALE...\$125.00

**Go Cordless with MILWAUKEE**  
#6305 — 6 1/4" Cordless Circular Saw  
12 volt — 1 Hour Charge  
Cuts (80) 2x4's (Pine)  
List Price 195.00 \* SALE PRICE 119.00

**FREUD SAW BLADES**  
Univ. Bore — Professional Series  
**CARBIDE TIPPED SAWBLADES**

Item No.	Description	Diam.	Teeth	List Sale
PS203	Gen'l Purp.	7 1/2"	24	27.24 17.50
PS303	Fine cutting	7 1/4"	40	32.97 20.50

3/8" Bore — Industrial Grade  
**CARBIDE TIPPED SAWBLADES**

Item No.	Description	Diam.	Teeth	List Sale
L072M10	Gen-1 Purp.	10"	40	68.58 34
L081M10	Gen-1 Purp.	10"	40	69.30 35
L073M10	Cut-Off	10"	60	79.35 36
L082M10	Cut-Off	10"	60	86.40 44
L084M10	Combination	10"	40	70.39 36
L084M11	Combination	10"	50	74.51 37
L085M10	Super Cut-Off	10"	80	110.88 62
LM72M10	Ripping	10"	24	64.85 34
DS 306	8" Dado			139.00 92
DS 308	8" Dado			170.00 105
TR 100	3 blades & Dado set			399.00 255

**MAKITA CORDLESS FESTIVAL OF VALUES**

Model		List Sale
4300DW	Jig Saw	158 99
5081DW	3 3/8" Saw Kit	174 95
5600DW	6 1/4" Circular Saw	224 125
9035DW	Finishing Sander	128 73
6010DWK	3 3/8" Cordless Drill Kit	152 88
6010SDW	3 3/8" Cordless Drill	84 45
8400DW	3 3/8" Hammer Drill	188 105
403000DW	3 3/8" Angle Drill	176 98
6010DL	3 3/8" Drill w/Flashlight	182 89
	3 3/8" 2 spd Driver Drill w/Bat & Metal Case	178 98
DK1002	3 3/8" Drill w/Fluornt Lt	164 90
6710DW	Cordless Screwdrvr Kit	148 84

**DELTA BENCH TOP TOOLS**

Model		List Sale
11-950	8" Bench Drill Press	124 100
28-160	10" Bench Band Saw	158 125
40-500	15" Scroll Saw	105 85
23-680	6" Grinder Bench	62 50
23-880	8" Grinder Bench	99 85

**MAKITA TOOLS** List Sale

804510	Sander	79 43
9900B	3'x 21" belt sander	198 119
9924B	3'x 24" belt sander	189 130
9924DB	3'x 24" b/sand. w/bag	214 130
9035	1/3 sheet finish sander	79 48
9045E	1/2 sheet finish sander	156 90
9045N	1/4 sht fin. sand. w/bag	158 105
4200N	4 3/8" circ. saw 7.5 amp	152 93
5008NB	8 1/4" circ. saw 13 amp	178 105
5201NA	10 1/4" circ. saw 12 amp	248 215
4300NB	vsp jig saw 3.5 amp	192 120
4301BV	orb v/sp jig saw 3.5 amp	208 125
JR3000WL	2 sp recip saw w/cse	168 120
JR3000W	vsp recip saw w/case	178 120

**\*\*\* MAKITA TOOLS \*\*\***  
**SPECIAL PROMOTION**

LS1000	New 10" Mitre Box	348 198
792210-7A	Carbide Bid for above	45 31
9820-2	Blade Sharpener	24 159
741074-9	60 (coarse) Grd/Whl	33 23
741070-7	1000 (med) Grd/Whl	30 22
741071-5	6000 (fine) Grd/Whl	43 30

**\*\*\* DELTA \*\*\***  
**#34-410 — 10" CONTRACTORS SAW**  
w/Stand & 1 1/2 H.P. Motor  
**SPECIAL PRICE 679.00**  
FACTORY REBATE...100.00  
FREE DELIVERY TO 48 STATES  
#8500 Box of 50 — 10.00-Case of 600 89.00  
#8560 Box of 15 — 13.50-Case of 180 135.00

**TOOLS ON SALE**  
AMERICA'S LOWEST PRICED TOOLS  
**\* PLUS — FREE FREIGHT \* ON EVERY ITEM**

Model	Description	List Sale
1000	3 1/4" x 16" Rule	32.95 23.95
2000	3 1/2" x 16" Rule	42.95 32.95

**RECORD VICES**  
520 7" jaw — 8" Opening 69.00 51.00  
52120 9" Jaw — 13" Opening 92.00 76.00  
3M Co. Respirators

**buying from Seven Corners Hdw. ... is a good Rule to follow.**

Model	STANLEY List Sale
33-116	PL-316 3 1/4" x 16" Rule 15.95 7.50
33-320	PL-320 3 1/2" x 20C Rule 16.95 7.95
33-425	PL-425 1" x 25" Rule 18.95 8.95
33-340	PL-340 1" x 30" Rule 20.95 9.95

**1986 TOOL CATALOG AVAILABLE**  
Call Toll-Free 1-800-328-0457 — In Minnesota Call (612) 224-4859  
**4 WAYS TO BUY: CHECK — MONEY ORDER — VISA — MASTERCARD**  
**SEVEN CORNERS ACE HDW. INC.**  
216 West 7th St. • St. Paul, MN 55102 • Est. 1933

**SAW-ATHON by PORTER-CABLE**

#314 4 1/2" Trim Saw  
List 180 — SALE 109  
#346-1 6 1/2" Top Hdle  
List 161 — SALE 100  
#617 7 1/4" Push Hdle  
List 166 — SALE 96  
#587 7 1/4" Speedronic  
List 199 — SALE 125  
#315-1 7 1/4" Top Hdle  
List 166 — SALE 96  
#368-1 8 1/4" Top Hdle  
List 176 — SALE 110

**BELT SANDERS by PORTER-CABLE**  
#363 — 4" x 24" w/o Bag  
List - 280 Sale - 185  
#362 — 4" x 24" w/Bag  
List - 295 Sale - 198  
#503 — 3" x 24" w/Bag  
List - 510 Sale - 350

**DELTA #34-410 — 10" CONTRACTORS SAW**  
w/Stand & 1 1/2 H.P. Motor  
**SPECIAL PRICE 679.00**  
FACTORY REBATE...100.00  
FREE DELIVERY TO 48 STATES

**TOOLS ON SALE**  
AMERICA'S LOWEST PRICED TOOLS  
**\* PLUS — FREE FREIGHT \* ON EVERY ITEM**

**SUPER CORDLESS SPECIALS from BLACK & DECKER**

Model	DRILL KITS	List Sale
1930	3 3/8" rev hi speed	165 110
1950	3 3/8" High Torque	165 110
5930	Reversible Hammer	179 120
1970	3 3/8 rev hi torque screwdriver	179 120
1980	Revadjt. clutch Scruddrill	179 120

**BRAND NEW! SUPER SPECIALS from MILWAUKEE**

0214-1	3 3/8" c/less drive/drill	159 109
8975	H.D. heat Gun, 11.6A	
	Low 570°F - High 1000°F	74 49
5920	belt sander 3x24 w/o bag	289 199
5925	belt sander 3x24 w/bag	309 215
5930	belt sander 4x24 w/o bag	299 209
5935	belt sander 4x24 w/bag	319 214

**PORTER-CABLE = NEW ITEMS +**

Model	List Sale
655	Drywall Driver 0-4000 Rev 115 85
367	3 1/4" Plane 6.5A 170 115
5009	Mortise & Tenon Jig 50 34
351	3" x21" Belt Sander 189 125
352	3" x21" Belt Sndr w/bag 199 135
9810	Cordless Screwdrvr kit 175 115
320	Abrasibe Plane 3A 129 91

**\* \* \* ROUTER RIOT \* \* \***  
**by PORTER-CABLE**

Model	List Sale
100	7/7 H.P. 6.5 amp 141 98
630	1 H.P. 6.8 amp 150 100
690	1 1/2 H.P. 8 amp 194 130
691	1 1/2 H.P. D-Hdle 8 amp 218 145
536	1 1/2 H.P. Speedmatic Double Handle 300 190
537	1 1/2 H.P. Speedmatic Double Handle 315 215
520	3 H.P. Production 460 270
518	3 H.P. Microcompressor 5-sp 490 345

**\* X-TRA SPECIALS \***  
**MAKITA TOOLS** List Sale

DP3720	3 3/8 drill Rev 0-1800 rpm	162 90
6510LVR	3/8 drill Rev 0-1500 rpm	116 67
6013BR	1/2" Drill rev 6 amp	174 100
5402A	16" Circular Saw-12 amp	468 315
2414	14" Cut Off Saw-13 amp	282 169
3612BR	3 HP Plunge Router	285 175
9401	4x24 belt Sander w/bag	248 160

**PORTER-CABLE** List Sale

696	H.D. Shaper Table	150 105
695	H.D. 1 1/2 hp Router/Shaper	278 190
399	Drywall Cut-Out Unit	100 70
736	V-Speed Speedronic Band Saw	450 330
7564	1/2" X.H.D. Drill 8 amp	205 145

**BOSCH TOOLS** List Sale

1581VS	Top Handle Jig Saw	225 126
1582VS	Barrel Grip Jig Saw	126 118
1604	1 1/4 H.P. Router	199 118
1942	Heat Gun 650°/900°	99 85
1272	3x24" Belt Sander	259 159
12720	3x24" Belt Sander w/bag	274 169
1273	4x24" Belt Sander	274 169
12730	4x24" Belt Sander w/bag	289 179

**DELTA** List Sale

34-010	Motorized Mitre-Box	231 149
--------	---------------------	---------

**\* NEW LOW PRICES \* PONY CLAMP FIXTURES**

Model	List Sale of 12
#50	for 3/4" Black Pipe 11.23 7.15 79.00
#52	for 1/2" Black Pipe 9.36 6.10 67.50

**JORGENSEN HAND SCREWS**

Model	Jaw Length	Cap.	List Sale	Box of 6
#5/0	4"	2"	11.59 7.25	39.15
#4/0	5"	2 1/2"	12.45 8.10	43.75
#3/0	6"	3"	13.36 8.50	45.95
#2/0	7"	3 1/2"	14.36 8.95	48.35
#0	8"	4 1/2"	15.97 9.95	53.75
#1	10"	6"	18.25 11.35	61.25
#2	12"	8 1/2"	20.94 13.60	72.95
#3	14"	10"	26.56 16.75	91.35
#4	16"	12"	34.55 23.75	128.25

**JORGENSEN BAR CLAMPS**  
STYLE 37 — 2 1/2" Throat 1/4" x 3/4"

Model	Jaw Length	List Sale	Box of 6
#3706	6"	7.88 5.50	29.70
#3712	12"	8.73 5.95	32.13
#3718	18"	9.64 6.95	37.53
#3724	24"	10.54 7.35	39.69
#3730	30"	11.76 8.25	44.55
#3736	36"	12.85 8.95	48.33

**Who Has The Saws That Cut It Across The Board?**  
**BLACK & DECKER of course!!!**

**Model WORM DRIVE SAWS** List Sale

3050	6 1/2" 12 amp - 4600 rpm	247 169
3051	7 1/4" 13 amp - 4300 rpm	232 149
3052	8 1/4" 13 amp - 4300 rpm	247 169

**Model SUPER SAWCATS** List Sale

3047-09	7 1/4" w/brake - 12.5 amp	226 149
3048-09	6 1/4" w/brake - 13 amp	240 155

**Model BUILDERS SAW CAT** List Sale

3030	6 1/4" 13 amp - 5800 rpm	155 100
3035	8 1/4" 13 amp - 5800 rpm	175 125
3034	7 1/4" 13 amp - 5800 rpm	162 115
3033	6 1/2" 13 amp - 5800 rpm	162 115

**JIG SAWS**

3157-10	var sp orb acton d/hdl	174 115
3153-10	var speed 4.5A 0-3100	158 105
3159-10	2-sp orb action barrel grip	178 120

**CUT SAW KNITS**

3103	2 sp 6 amp-2400 strokes	163 100
3105	vsp 6 amp-2300 strokes	170 110
3107	vsp/rib 6A 0-2300 strokes	183 119
4300	Drill Bit Sharpener	289 205
1321	1/2" drill 450 rpm 6 amp	175 115
4010	Palm Sander	80 48
4015	1/2 sheet Finish Sander	160 105

**DRY WALL GUNS**

2034	v.s.r. 0-4000 rpm	121 79
2037	v.s.r. 0-4000 rpm	139 89

**"Door Openers" from MAKITA**

9501B	4" Grinder Kit	119 55
2708	8 1/4" Table Saw	348 199
5007NB	7 1/4" Circ. Saw	158 94

**MILWAUKEE BUY OF THE YEAR**  
Model 6365 — 7 1/4" Circular Saw  
List \$159.00 Sale \$99.00  
Lots of 3 — \$289.00

**Brand New • PORTER-CABLE**  
Model 7548 Top Hdle Jig Saw  
LIST 199 — SALE 129.95  
Model 7648 Barrel Jig Saw  
LIST 199 — SALE 129.95

**PORTER-CABLE**

9548	HD v/s bayonet saw w/case	255 169
9627	2 sp. tiger saw kit 8 amp	193 130
9629	V.sp. tiger saw kit 8 amp	204 135
505	H.D. 1/2 sheet insh sander	175 100
330	spd bloc sander 1 1/4 sheet sz	87 54
304	Professional 7" disc sander	169 120
305	Professional 7" polisher	169 120
7511	3 3/	



## THE EDITOR'S ANGLE

# LOOK WHAT RUSS OLSON BUILT FOR HIS GRANDDAUGHTER, LIZZIE!



In the two-plus years I've been associated with *WOOD* Magazine, I've had an abundance of satisfying moments. I'll always remember, for example, the day I heard the long-awaited news that the company had approved the idea for the magazine. Then there was the morning, after several months of gathering material, writing, editing, and otherwise sweating blood, I saw the very first issue of the magazine. What a thrill! And later came the news that the magazine had grown from 150,000 subscribers to 350,000. I could go on and on, but suffice to say that *WOOD* has been this editor's dream come true.

Perhaps the best part of this dream-come-true story, though, involves you the reader. We get dozens of letters a day, and the staff and I value every one of them. Your response has been absolutely terrific! When we do a feature article or a project plan that you particularly like, you take the time to drop us a nice note. Even when we goof on a dimension or a fact occasionally, rather than slap our hands, you offer helpful comments. And some of you, such as Russ Olson, from Barron, Wisconsin, whose beautiful bentwood sled project appears above, even share with us snapshots of the projects you have built using plans from the magazine.

Thanks for the support, encouragement, tips, comments, and suggestions you've given us so far. We appreciate your input, and I want you to know that you've really got us motivated to do an outstanding job for you. 🌲

*Larry Clayton*



## A NEW HEGNER



Great News! The HEGNER Multimax-2, recognized as the world's leading scroll saw, has just become better! The NEW Multimax-2 is equipped with a 60% larger worktable! Add HEGNER's known reputation for superior performance and reliability, and you have a scroll saw that stands apart from all others!

Call or write for details on AMI's HEGNER Saws, Lathes or FELDER Systems today.

AMI — because you never regret quality!



ADVANCED  
MACHINERY  
IMPORTS, LTD

AMI, Ltd.  
P.O. Box 312, Dept. 84  
New Castle, DE 19720  
302 • 322 • 2226

# FINISHING SUPPLIES!!

If you have been looking for professional wood finishing supplies you'll appreciate our new catalog. It contains everything for wood finishing including a special section devoted to time tested finishing information. Select from a complete line of fillers, sealers, touch-up items and specialty products including:

- VARNISHES  JAPAN COLORS
- SHELLACS  FRENCH POLISH
- MUSICAL INSTRUMENT FINISH
- BURN-IN STICKS  LACQUERS
- ANILINE DYE COLORS

We're proud to offer these fine finishing products. Because as woodworkers ourselves, we appreciate the difference a fine finish can make.

To order your catalog, send \$2.50 to

**Wood Finishing Supply Co., Inc.**

Department 23

1267 Mary Drive, Macedon, N.Y. 14502

# TALKING BACK

We welcome comments, criticisms, suggestions . . . even an occasional compliment. The volume of mail we receive makes it impossible to answer every letter, but we promise to do our level best. Send your correspondence to: Letters Editor, Better Homes and Gardens® WOOD Magazine, Locust at 17th, Des Moines, IA 50336.

## SMOOTH ROUTING WITH SILICONE SPRAY

In reference to the article on "Applying Plastic Laminates" in the April, 1986 issue of WOOD: When using a flush-trimming router bit with ball bearings, I use a silicone spray on the bit and on the piece being cut. I spray the bit about every 3' of cut. This slows your time down, but you will never have a clogged bit to stop and clean. I have cut about 500' of edge and have never disassembled my ball bearings on the bit to clean them.

—Tony Spulnick, Albany, N.Y.

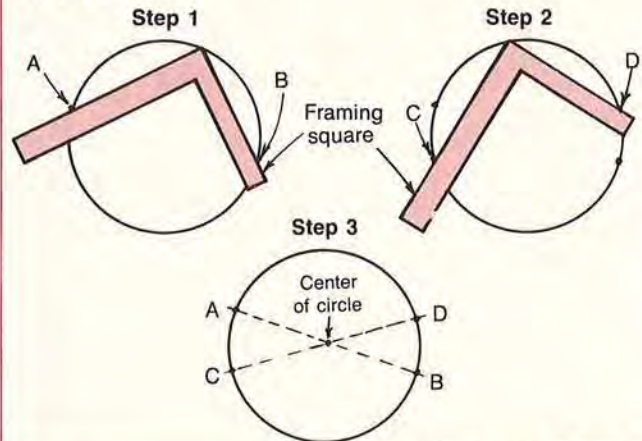
*Thanks for the tip, Tony! When we researched this article, we talked to several people who install laminate professionally. We were quite surprised when we found out that most of them use inexpensive solid-carbide router bits and lubricate the laminate with petroleum jelly.*

## WOODWORKERS' GEOMETRY, LESSON TWO

There's always an easier way! Several readers contacted us to share their method of finding the center of a circle ("Ask WOOD," April, 1986, p. 83). The method that seemed the simplest to us goes like this:

Use a measuring tool or any object with a perfect 90° outside angle (a business card, a framing square, or whatever—depending on the size of the circle). Lay the corner of the tool anywhere on the circumference of the circle and mark the two intersections as shown in the drawing.

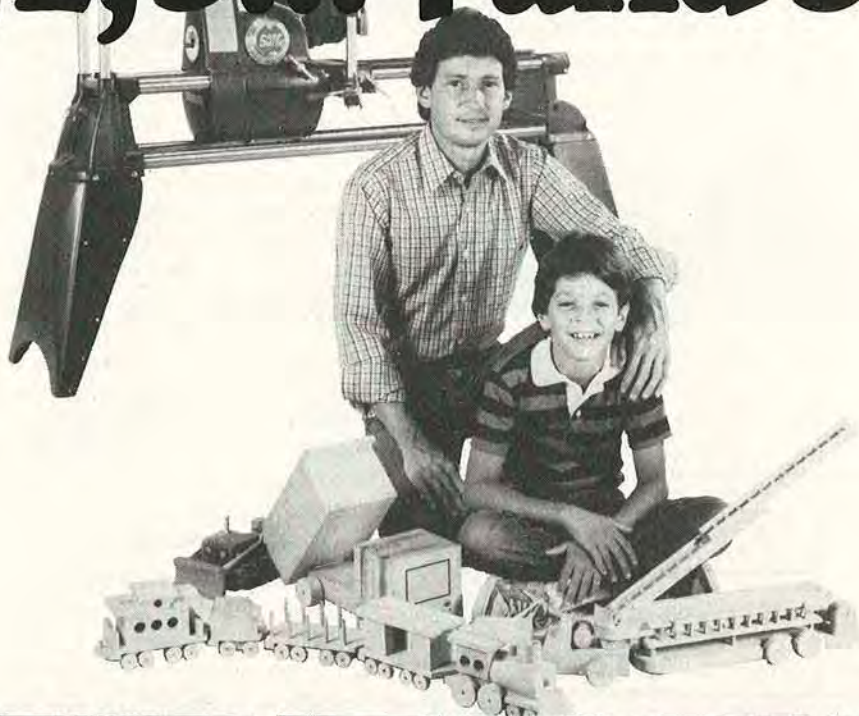
Repeat this step with the corner placed at any other point on the circumference of the circle. Then draw the lines as shown, mark the intersection, and you're all set for business!



Continued on page 12

*SPECIAL SUMMER \$2.00 OFF SALE — SEE BELOW						
CARBIDE TIPPED ROUTER BITS · PROFESSIONAL PRODUCTION QUALITY						
SPECIAL OFFER — SAVE 50%-75% BELOW COST						
1000's SOLD TO READERS OF FINE WOODWORKING						
BEST CUT BEST PRICE	ITEM NO.	DESCRIPTION	RADIUS	LARGE DIAM.	CUTTING LENGTH	PRICE
	COVE					
	#01	1/4" R	1/4"	1"	1/2"	\$13.00
	#02	3/8" R	3/8"	1 1/4"	9/16"	14.00
	ROUND OVER					
	#04	1/4" R	1/4"	1"	1/2"	15.00
	#05	3/8" R	3/8"	1 1/4"	5/8"	16.00
	ROMAN OGEE					
	#07	5/32" R	5/32"	1 1/4"	15/32"	18.00
	#08	1/4" R	1/4"	1 1/2"	3/4"	20.00
	RABBETING					
	#11	3/8" RABBETING	Deep 3/8"	1 1/4"	1/2"	14.00
	#09	1/8" (KERF) SLOT CUTTER		1 1/4"	1/8"	14.00
#10	1/4" (KERF) SLOT CUTTER		1 1/4"	1/4"	14.00	
	#12	45° CHAMFER	45° Angle	1 1/2"	5/8"	15.00
	#15	RAISED PANEL	20° Angle	1-5/8"	1/2"	25.00
	DOVETAIL BITS					
	#16	3/8" DOVETAIL	9°	3/8"	3/8"	7.50
	#17	1/2" DOVETAIL	14°	1/2"	1/2"	8.50
#18	3/4" DOVETAIL	14°	3/4"	7/8"	10.50	
	CORE BOX (ROUND NOSE)					
	#19	3/8" CORE BOX	3/16"	3/8"	3/8"	11.00
	#20	1/2" CORE BOX	1/4"	1/2"	11/32"	14.00
#21	3/4" CORE BOX	3/8"	3/4"	5/8"	18.00	
	GROOVE FORMING OGEE					
	#22	1/2" GROOVING OGEE		1/2"	3/8"	16.50
#23	3/4" GROOVING OGEE		3/4"	7/16"	21.00	
	#24	1/4" Straight Bit		1/4"	1"	7.00
	#25	5/16" Straight Bit		5/16"	1"	7.00
	#26	3/8" Straight Bit		3/8"	1"	7.00
	#27	1/2" Straight Bit		1/2"	1"	7.00
	#28	3/4" Straight Bit		3/4"	1"	10.50
	#13	1/2" FLUSH TRIM		1/2"	1"	8.50
	#14	3/8" KEY HOLE	CUTS 3/8" KEY HOLE FOR FLUSH MOUNTING PICTURE FRAMES, ETC.			8.50
WHEN ORDERING ANY 3 OR MORE, DEDUCT \$2.00 EACH						
ALL PRICES POSTAGE PAID *OFFER EXPIRES 8-25-86						
<ul style="list-style-type: none"> <li>Professional Production Quality</li> <li>1/2" Ball Bearing Pilot</li> <li>1/4" Diameter Shanks x 1 1/4" Long</li> <li>One Piece Construction</li> <li>Two Flute Thick High Quality Tungsten Carbide Tips</li> </ul>						
<p>To order by Master Charge or Visa Toll Free            7 Day — 24 Hour Order Service Call            1-800-523-2445 Ext. 56 (in PA 1-800-346-7511 Ext. 56)            or send check to: <b>MLCS Ltd., Box 53D, Rydal, PA 19046</b></p>						

# As easy as 1, 2, 3... 4 and 5.



**1** It's a 10" Table Saw with 3-1/4" depth-of-cut and huge 50" ripping capacity.



**2** It's a 16-1/2" Vertical Drill Press with locking quill feed for accurate depth control.



**3** It's a Horizontal Boring Machine that makes doweling operations a snap.



**4** It's a 34" Lathe with 16-1/2" swing capacity for turning table and chair legs, or large bowls.



**5** It's a 12" Disc Sander with 113 sq. in. of sanding surface to reduce stock up to 6" thick in a single pass.

The MARK V combines these five major power tools in one space-saving, economical unit. You can perform change-overs in less than 90 seconds.

Plus, the MARK V's 5-in-1 versatility and built-in accuracy make it easy to achieve professional results on all your projects.

The MARK V is the tool to start with... the system you grow with. You'll find a full range of MARK V Accessories to help you do the most sophisticated woodworking operation with ease.

### The Shopsmith® Difference

With Shopsmith you get a dedication to woodworking, education, and buyer protection. We believe in the virtues of quality, value, pride and craftsmanship, which show in our educational training and products.

### Your Special "Bonus"

Learn how the MARK V can help you do more projects more professionally. Send for

your FREE MARK V Information Kit today! Included in the kit is *How To Determine Your Best Power Tool Buy*.

Phone Toll Free: 1-800-228-1020

In Nebraska: 1-800-642-8788



## Shopsmith Inc.

For better woodworkers  
and those who want to be.  
6640 Poe Avenue  
Dayton, Ohio 45414-2591

Quality woodworking tools made in the U.S.A.

© Shopsmith, Inc., 1985  
Shopsmith® is a registered trademark of Shopsmith, Inc.

Mail this valuable  
coupon  
TODAY!



**YES!** Please send me a Free MARK V Information Kit including the informative booklet *How To Determine Your Best Power Tool Buy*. I understand I am under no obligation.

Name \_\_\_\_\_

Address \_\_\_\_\_

City \_\_\_\_\_

State \_\_\_\_\_ Zip \_\_\_\_\_

Date \_\_\_\_\_ Initial \_\_\_\_\_

I currently own a Shopsmith power tool

Dept. 378Y

## SAVE 25 TO 60%



**CABINET MAKERS  
FREUD CABINET ROUTER  
BIT SET**  
1 Door Lip  
1 Reversible Glue Joint  
1 Raised Panel  
2 Reversible Stille  
& Rail Set  
LIST \$342.00  
SALE  
PRICE **\$239.00**

### FREUD SAW BLADE SPECIALS

**FREUD CARBIDE-TIPPED SAW BLADES**  
1 1/2" x 1/4" Bore

No.	Size	Teeth	Use	Est.	Sale
LU73m10	10"	40	general	149.50	24.50
LU73m10	10"	60	cut off	79.65	34.00
LU82m10	10"	60	cut off	56.40	42.00
LU84m10	10"	55	comb	74.55	25.00
LU85m10	10"	80	cut off	110.88	59.98
LM72m10	10"	24	hipping	68.53	34.00



### FREUD CARBIDE ROUTER BIT SETS

Both come with wooden case

	List	Sale
15pc set	299.00	134.00
26pc set	449.00	336.00



**FREUD**

**ALL OTHER FREUD SAW BLADES  
PHONE FOR SALES PRICES**

**FREUD CARBIDE DADO'S**

D530A	6"	Dado	139.00	92.00
D530B	8"	Dado	179.00	99.00
A0800	8"	Asl. Dado	95.00	44.00

**ALL FREUD ROUTER BITS & SHAPER CUTTERS 25% OFF**

### SCHLAGRING FORSTNER BIT SETS

Both come with wooden cases



7pc set	1/4"-1"	49.00
15pc set	1/4"-2"	199.00
7pc set	Bradpoint drill set	12.95

### BIESEMEYER RIP FENCES



#### BIESEMEYER RIP FENCES

28"	Homeshop	195.00	52"	Commercial	295.00
40"	Homeshop	199.00	62"	Commercial	322.00
52"	Homeshop	249.00	98"	Commercial	399.00

#### CALL FOR OTHER BIESEMEYER PRODUCTS

Paralock Saw Fence	389.00
--------------------	--------



### SENCO'S NEW SFNI

Finish Nail gun shoots 1 1/4"  
Reg. 304.50 Sale **269.00**  
Call for **BIG DISCOUNTS** on other  
SENCO Nail guns & fasteners

### LEIGH DOVETAIL JIGS

TD514	12"	Through Dovetail Jig	135.00
TD514L	24"	Through Dovetail Jig	209.00
D1258-12	12"	Half Blind-Through	259.00
D1258-24	24"	Half Blind-Through	339.00

### Makita's New variable speed cordless drill

7.2 volt, 0-0600 RPM

3 hour charge, comes with charger  
Mdl # 6070DW

List 98.00 Introductory Sale **69.00**

3/8" CORDLESS  
DRILL, VARIABLE  
SPEED, REVERSIBLE  
Model 6070DW



3 1/2" Cross Vise  
Slides 2 ways  
excellent for Drill Presses  
Sale **49.00**



**RECORD NO. 07 22"**  
jack plane

Reg 99.00 Sale **64.95**

**WE HAVE EVERY  
TOOL YOU NEED**

10" or 12" Contractor's Table Saw  
cast iron extensions and top  
steel stand included  
2 HP ball bearing motor  
jet-lock type rip fence  
Reg 695.00 Sale **399.00 complete**



Bosch 7 1/2" circular saw  
Mdl # 1651  
Super Heavy Duty

Reg 179.00 Sale **99.00**

### NEW FREUD HAND SAWS

Made in England

Set	Sale
Panel	19.95
Tennon	18.95
Dovetail	23.95
Cherry	20.95
Set of five above	79.95



**ERMACO Nail-Gun  
Compressor, 1 hp. \$289**  
145 PSI, 4.5 CFM 2.5 gallon  
tank. Only weighs 52 LBS.



**PHONE  
FOR SALES PRICES**

## TALKING BACK

Continued from page 8

### WHAT POWER TOOLS TO BUY

As a beginner in the field of home woodworking, I would appreciate your assistance in advising the type of power equipment that would be best suited for my shop. The size at the present time is 25' long and 8' wide. I already own a radial-arm saw.

—Ray Amon, Olney, Md.

*Gulp! Lots of people ask us this question, and we know we're going to step on some toes. However, in the firm belief that some answer is better than no answer at all, here's our list: 1) We'd normally opt for a table saw first, but in Ray's narrow shop, a radial arm makes sense; 2) a router; 3) router table; 4) stationary sander (belt or disk); 5) jointer; 6) band saw; 7) drill press; 8) lathe (optional); and 9) scroll saw (again, optional).*

*Remember that your choices depend on your particular woodworking interests, skill level, shop space, and—last, but not least—budget. We're sure these choices will stir up some response—so let's hear from you readers on this subject. We'll share your choices in an upcoming issue.*

### TIME OUT FOR SAFETY

We applaud *WOOD* Magazine for a most interesting article, "Time Out for Kids," in the April, 1986 issue. While the article covered the "creativity principles" for youngsters rather well, it also illustrated two unsafe practices when using hand tools. The photo on p. 67 of Jim Woodruff and his grandchildren illustrates the wrong type of hammer to drive nails. . . . Peen hammers are designed and intended for other purposes. Equally as important is the wearing of safety goggles whenever using hand tools. This safety precaution applies to the tool user, the instructor, and other bystanders.

—Richard C. Byrne, Executive Director,  
Hand Tools Institute, Tarrytown, N.Y.

*We appreciate the safety reminders very much, Richard!*

### JUST WONDERING. . . .

As an ardent reader of your publication, I notice you've used various wood types in the title of your magazine on the cover since Issue No. 3. I'd like to compare my identification list with that of your staff. Can you please supply me with a list?

—R. S. Goldman, St. Louis, Mo.

*We turned Mr. Goldman's letter over to WOOD Magazine Art Director Lee Gatzke for reply. (Lee chooses the woods that appear on our covers, based in part on the colors in the cover photo.) Fortunately, Lee's good at record-keeping. Here's the list: Issue No. 3, Carpathian elm burl; No. 4, walnut burl; No. 5, mahogany; No. 6, cherry; No. 7, red oak; No. 8, pecan lumber; No. 9, pecan veneer; No. 10, walnut burl; No. 11, ash veneer; this issue, Ponderosa pine. 🌲*

# QUALITY AND AFFORDABILITY

## At Foley-Belsaw We Still Use The Words Together!



**MODEL 490**

**TABLE SAW**

We invite you to compare the quality of our saw to those costing \$1200, \$1500 and even more. You'll find the same heavy-duty castings and precise engineering, but with Foley-Belsaw you'll pay hundreds less. The Model 490 10" Table saw is built to perform like the big boys and gives a depth of cut up to 3 1/2". Many new design features such as our Accu-Fence System, extra stable hexal stand and Poly-V-Belt drive put the Model 490 one step ahead. There's no reason to search further for the ideal answer to your sawing requirements.

Since 1926 Foley-Belsaw Sawmills and Wood Planers have meant American Made Quality and Affordability. Our new line of Power Tools continues in this same tradition. Power Tools made with sturdy castings and heavy-duty bearings that you can build a business on but priced for your home workshop.

**GUARANTEED FOR LIFE**

Guaranteed to last a lifetime... because it's built to last a lifetime. The entire new line of Foley-Belsaw Power Tools carries a limited lifetime warranty. Receive full details when you send for your free Booklet on Power Tools For Profit... just clip the coupon and mail today.

**PLUS 30-DAY TRIAL**

All Power Tools are available on a 30-Day "No Risk" Trial. Foley-Belsaw's Hands On Trial is your assurance that our products will faultlessly perform every function we claim to your satisfaction. Take 30 Full Days and use our equipment as much as you wish... put it through its paces.

**FINANCING AVAILABLE**

All Foley-Belsaw equipment is available on our Easy Payment Plan, tailored to fit any budget. Our ironclad warranties combined with the confidence to finance our own equipment at low interest rates assures you of Quality and Affordability.



**MODEL 435**

**SCROLL SAW**

Like Scroll Saws of old, our frame is solid cast iron as is the big 12" x 12" work table. The extra large 20" throat and 2" depth of cut easily handle the big jobs... with smooth as silk cuts in all types of woods. Features like a variable speed motor, and a drive mechanism which is submerged in a constant oil bath, provide the smoothest possible power transmission. The Model 435... a professional quality Scroll Saw built for a lifetime of service... yet priced for the home workshop.

**MODEL 480**

**BANDSAW**

For the woodworker who demands professional results! Features like a solid cast iron table, solid cast trunions, heavily ribbed frame castings, provide plenty of strength for a lifetime of vibrationless precision. Check the many features of the Model 480 14" Bandsaw and you'll discover... no other Bandsaw in its class can compare.



When you buy Foley-Belsaw you buy "Direct From the Factory". You buy American made precision and quality, guaranteed for life, at home workshop prices. You also get a Full 30-days to prove that our products perform... and perform they will or we simply return your money, no questions asked. So if you'd like to get the most for your money, take a good look at the Foley-Belsaw line of Power Tools and use our "Tailored to Fit any Budget" Easy Payment Plan... just clip the coupon below and Mail Today!



FOLEY-BELSAW CO.  
42003 FIELD BLDG.  
KANSAS CITY, MO 64111

YES, please send me information on your complete line of Power Tools and full details on how I can qualify for a 30-Day Trial right in my own shop. I understand there is no obligation.

NAME \_\_\_\_\_  
 ADDRESS \_\_\_\_\_  
 CITY \_\_\_\_\_  
 STATE \_\_\_\_\_ ZIP \_\_\_\_\_



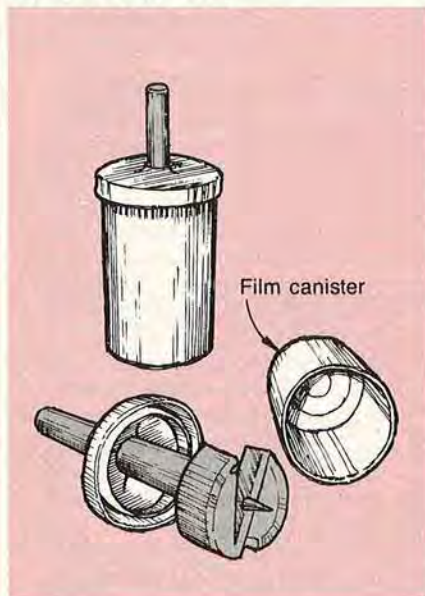
**SEND FOR  
FREE  
BOOKLET**

In woodworking, as in life, no one knows it all. But through experience, we all discover—or stumble onto—better, safer, faster, or easier ways to do things. When we devise interesting tips or techniques, we'll share them with you in this column. And when you send us your favorites, we'll pay you \$25 for each submission we publish. No shop tips can be returned. Mail your tips to:

### Shop Tips

Better Homes and Gardens®  
WOOD Magazine  
Locust at 17th  
Des Moines, IA 50336

### Picture-perfect storage for Forstner bits

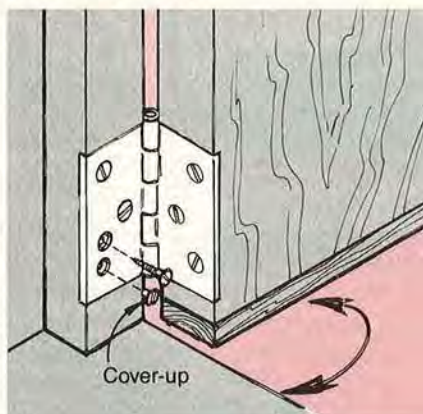


Forstner bits cost too much to leave them unprotected in toolboxes. Yet you can't store them the way you can other drill bits because their shape is too awkward.

**TIP:** Plastic 35 mm film canisters make inexpensive protectors for Forstner bits up to 1/8" diameter. (They're free, too.) Slip the shaft through a hole cut in the canister lid and store as shown. In addition, the lid makes a good depth gauge. Use masking tape on the canister to identify the bit diameter. You can protect router and specialty bits with the same technique.

—Eddie Tomlinson, Alcolu, S.C.

### Rescue a hinge

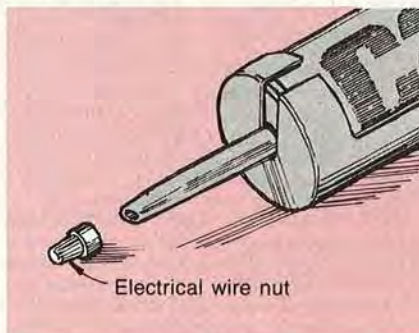


It's easy for a project to come unHINGED when one or more of those long wood screws breaks off.

**TIP:** Don't drive a new screw at a different angle or even consider moving the hinge. Instead, drill and countersink a new hole next to the troublesome hole in the hinge. Drill a pilot hole and wax or soap the new screw before driving it. If you use brass screws, first cut new thread with a steel screw. Snip off a shortened, properly sized screw and drive it into the defective hole to cover up.

—William Cox, Rolling Meadows, Ill.

### "Nutty" idea for plugging caulking tubes

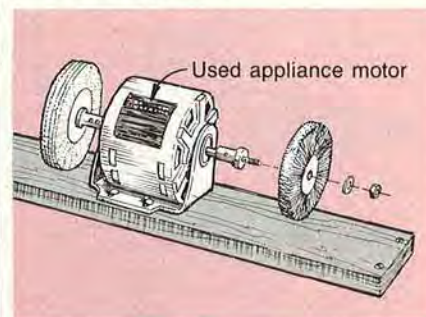


Each time you grab a partially used tube of caulk or adhesive, the contents has hardened in the nozzle.

**TIP:** Large electrical wire nuts with soft "skirts" are ideal for temporarily sealing caulk and adhesive tubes. Avoid using hard plastic wire nuts that may weaken in the solvents used to make adhesive; blue or gray 3M wire nuts are suitable.

—Ron Steelman, St. Paul, Minn.

### Low-cost grinder



The cost of a new grinder keeps many woodworkers from purchasing this practical tool.

**TIP:** Save a few dollars and pick up a used washer or dryer motor from an appliance repair service or salvage yard. (Try to find a motor with two shafts.) Mount the motor to a stand or a wood base, add an electrical switch, and attach a work arbor (available at hardware stores) to each shaft. You can reverse the wiring on most motors to create your own grinder or buffer.

—Harley Refsal, Decorah, Iowa

### How to "bag" an unpleasant task



It's an unsettling job to empty the canister of a shop vacuum. Unfortunately, a lot of dust escapes into the room.

**TIP:** After you empty the vacuum the next time, line the canister with a plastic garbage bag, fold the edge of the bag over the canister rim, and clamp on the lid. When the canister is full, you simply tie the bag shut and neatly dispose of all the dust with no mess.

—Richard Tomlinson, Milroy, Pa.

Continued on page 16

# Your home workshop can PAY OFF ... ... BIG!

This One Low-Cost Power Tool—  
**SAWS** to desired Width...  
**PLANES** to desired Thickness...  
**MOLDS** all popular Patterns...

—All at once or separately... All By Power Feed!

*The Only Complete Workshop Tool Of Its Kind In The World!*

From the Day It Arrives... the Planer will make and save you money. With shortages and inflation driving lumber prices sky-high, this versatile power tool quickly pays for itself by easily converting low cost rough lumber into high value finished stock. In just one pass turn out your own quarter-round, door and window stop, casing, tongue-and-groove... all popular patterns. Other operators are making cases for grandfather clocks, furniture, picture frames, bee hives, bed slats, surveying stakes... all kinds of millwork.

**Built For Pros... Priced For Home Craftsmen...** it is engineered and built to industrial standards, but factory-direct selling keeps the price low. Handles tough oak and walnut as easily as pine, and so simple to operate even beginners with no experience can use it.

**Start  
Your Own  
Business!  
Earn Extra  
Income  
Right At  
Home.**

With just this one low cost power-feed machine in a corner of your garage or basement, you're set up to supply lumberyards, cabinetmakers, carpenters, remodelers, contractors and hobbyists in your area with custom-planed lumber, trim, molding... ALL of their millwork requirements. You can supply picture molding to art shops, hardware and department stores, or sell direct to framing shops. All standard patterns are available from stock, or we'll custom grind a knife to your own special design or sample.

## Does The Foley-Belsaw Pay? YOU BET! READ WHAT OWNERS SAY:

**A Good Investment** • Robert Sawyer, Roseburg, Oregon: "I believe that the Foley-Belsaw is the best investment I ever made. I've been a planer man for years and am now retired. The Foley-Belsaw has earned me \$60,000 extra income in the past eleven years."

**Pays For Itself:** • R.S. Clark, Springfield, Ohio: "I bought a batch of walnut in the rough, and after planing it on the Foley-Belsaw I figured up the money I saved. It was enough to pay for two-thirds the cost of the Planer. It really does a good job."

**More Than Expected** • Stephen Schultz, Orangeville, Penna.: "This machine pays for itself by making money out of scrap boards. It is a very well built machine and I confess it is more than I really expected for the price. It does everything you say it will."

... And Foley-Belsaw Is The Choice Of Professionals:  
"I recommend Foley-Belsaw Planer-Molder-Saw as the most useful shop tool any craftsman could own. We use one every day in the Workbench model shop, and couldn't get along without it."

JAY HEDDEN — Editor WORKBENCH Magazine



**FOLEY  
BELSAW**

Try The  
Foley-Belsaw In Your  
Own Shop On Our

**30-DAY FREE  
TRIAL OFFER**

Mail Coupon Below  
For Complete  
Details!

### You Take NO RISK! The Planer/Molder/ Saw Is Backed by Our Exclusive 100% Guarantee of Satisfaction:

- "Try the Foley-Belsaw in your shop for a full 30-Days and put it to work for you. Give it a thorough test and make it prove that it can do everything we say it will... use it just as much as you want. Then if you are not completely satisfied, just send it back and we'll return every penny you sent. And YOU are the sole judge! There are no questions asked... there are no fine print 'use' charges. Our flat guarantee is that YOU must be 100% satisfied or you get your money back."

**FREE  
BOOKLET!**

Get FREE  
Book with  
facts and  
full details  
... RUSH COUPON TODAY!



**Just Mail Coupon ...  
NO OBLIGATION and  
NO SALESMAN Calls!**

**ACT NOW!  
Coupon  
Brings  
Full Details!**

If coupon has been  
removed, just send  
postcard with name  
and address to:

FOLEY-BELSAW CO.  
90836 FIELD BLDG.  
KANSAS CITY, MO 64111

**FOLEY  
BELSAW**

FOLEY-BELSAW CO.  
90836 FIELD BLDG.  
KANSAS CITY, MO 64111

YES, please send me the FREE Booklet that gives me complete facts about your Planer-Molder-Saw and full details on how I can qualify for a 30-Day Free Trial right in my own shop. I understand there is No Obligation and that No Salesman will call.



NAME \_\_\_\_\_

ADDRESS \_\_\_\_\_

CITY \_\_\_\_\_ STATE \_\_\_\_\_ ZIP \_\_\_\_\_

Continued from page 14

## “Tackful” way to clean face shields



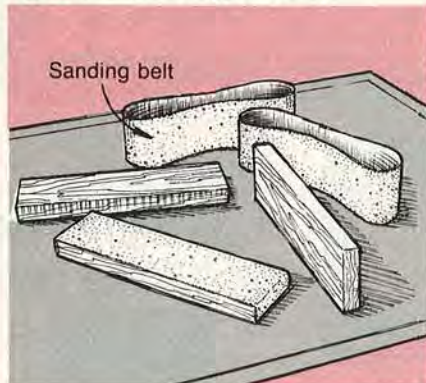
Tack cloth

*Irritating fine sawdust and dust accumulates on face shields and reduces visibility.*

**TIP:** Inexpensive tack cloths wipe a shield clean in a hurry. Tack cloths will not create static and attract more dust—a frequent complaint about some wiping cloths. Keep a tack cloth around the shop just for this task.

—Donald Christianson, Green Bay, Wis.

## Special sanding blocks



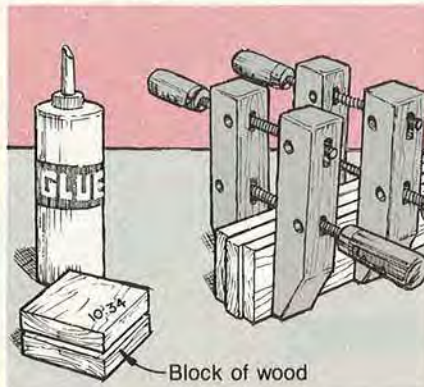
Sanding belt

*Homemade sanding blocks tend to wear out quickly and may not do a clean job in corners. There's got to be a better way.*

**TIP:** Use the same sanding belts you use on your belt sander to do the job. Cut  $\frac{3}{4}$ " or 1" material equal to the width and one-half the total length of the belt. If necessary, insert a shim or wedge to tighten the belt. Use the same block to quickly change grits of sandpaper.

—Doug Lodin, Brooklyn Center, Minn.

## Time's up!



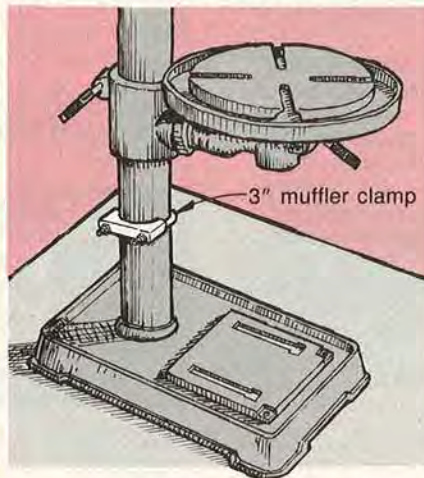
Block of wood

*Most of us forget to note the time when projects are glued and clamped. Too often, the clamps are removed before the glue has set.*

**TIP:** After you apply the clamps, glue two scraps of wood together and jot down the time. When the unclamped scraps are set, the clamped wood also will be set.

—From the WOOD Shop

## Nonsmashing success



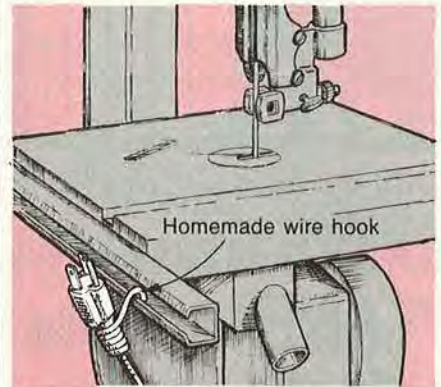
3" muffer clamp

*Ouch! No matter how many times your drill-press table has crashed to the floor, it will happen again. Will your knee or toes be in the path next time?*

**TIP:** Prevent the next accident from happening. An inexpensive 3" muffer clamp fits around most drill-press columns. Clamp it as a safety support about 2" above the base so you can still handle large projects without worrying.

—John Sokolovich, New Oxford, Pa.

## Hooked on safety



Homemade wire hook

*A safety-conscious woodworker always unplugs power tools, but power cords on the floor can be stepped on and damaged.*

**TIP:** Form a hook from electrical wire, wrap the wire around the cord, and hang the cord from some convenient spot on the tool. (P.S., you'll find that the plug is easier to reach this way, too.)

—Thomas E. Chaffin, Jr., Mission Viejo, Calif.

## The dry touch



Sawdust

*Natural oils in your hands tend to rub off onto unfinished wood. The result is unsightly, telltale flaws that appear only after you apply stain or finish.*

**TIP:** Rub your hands vigorously with sawdust from your table saw or belt sander before you handle the stock. The sawdust will draw out excess oil from your pores and make finishing neater.

—Larry Bedaw, North Swanzey, N.H.



HITACHI • POWERMATIC • DELTA INTERNATIONAL •

Bratton Machinery presents first in a series  
**"LOOK WHAT I FOUND FOR YOU!"**

**BMS-601**  
 18" bandsaw, 12" throat, 1 ph 2 hp, 220v, 1725 rpm, bld. 800 rpm, bld. max width—1 1/4", min. bld. width—1/4". Comes complete with miter gauge and fence & rails. Wt. 400 lbs., ht. 76". Open stand. (Steve Bratton not included.)

**\$699.00**  
 Delivered anywhere in continental USA



Steve Bratton, President of Bratton Machinery

**NAT'L WATTS**      **FLA WATTS**  
**800-874-8160**      **800-342-2641**

**BRATTON MACHINERY & SUPPLY**  
 1015 Commercial St. • P.O. Box 20408FW • Tallahassee, FL 32316  
*Lowest Prices Anywhere!* • Visa / MasterCard  
 904/222-4842

• ELECTRA-BECKUM • DEWALT • MAKITA • HITACHI •

the American Woodworker

— WOODWORKERS —  
 Look at the partial list of projects and articles that were published in our last four issues. It is by no means a complete list, but serves as a sample to show you we are a magazine balanced between projects and articles. These are in addition to our six regular feature departments that are in every issue. Check below; you can subscribe for only \$12.00.

**ARTICLES**

- The Basics of Steam Bending
- Your First Selling Show
- Woodturning: Developing The Design
- Tips for Successful Handcut Dovetails
- Improving The Quality Of Routed Edges
- Stationary Power Tools
- Setting Jointer Knives
- Carcase Construction
- The Wedged Through Tenon
- The Scraper
- Jointer Knife Setting Gauge
- Commonsense Tool Maintenance
- The Art Of Mother-of-Pearl Inlay
- Picture Frames
- Dust Collection System
- Sam Malool's Finish
- The Finishing Room
- Router Fixture Design
- Shop Safety
- Woodworking Associations

**PROJECTS**

- Band Sawn Boxes
- Variable Jig For Cutting Tapers
- Hepplewhite End Tables
- Chippendale Lowboy
- Dutch Cupboard
- Traditional Chest
- Lap Desk
- Walnut Foot Stool
- Eli Terry Pillar And Scroll Clock
- Tenoning Jig

No matter what level of expertise or interest you have in woodworking, we have something that you will enjoy in every issue. Published quarterly, The American Woodworker is printed oversized (9" x 12") on heavier than usual paper. It is a "collector's type" publication you will want to keep for years to come. Subscribe today for only \$12.00 per year or \$22.00 for two years. (Foreign: \$16.00 for one year, \$26.00 for two years, U.S. funds only.) 100% guaranteed or money refunded on unmailed copies. Subscribe today!

**The American Woodworker**  
 P.O. Box 1408, Dept. W-8  
 Hendersonville, TN 37077-1408  
 (615) 822-0857

# RIPSTRATE®

**The Finger Saver  
 That Saves Work . . . .  
 And Improves the Job . . . .**

Most safety devices require frequent adjustment. They usually wind up in a corner, not saving anything at all.

The RIPSTRATE guides the work against the fence. It requires no adjustment. No hands near the blade. No leaning over the saw table. No spoiled stock. NO KICKBACKS. No hassle. Just straight, clean cuts.

No wonder thousands of woodworkers, from amateur and professional craftsmen to large corporations, to government institutions, to colleges, to Air Force bases, now regard the RIPSTRATE as an essential part of their woodworking shops. After all, we are only born with ten fingers.

30 day money back trial. One year guarantee. \$62.50 plus \$3.50 shipping. Check, M.O., Visa or M/C. Free brochure.

Write or call our toll free number.  
**800 421 0256**

**FISHER HILL PRODUCTS**  
 4 Fisher Hill  
 Fitzwilliam NH 03447



Dealer inquiries invited.

# THE DOOR SHOP™

The original Ogee **DOOR SHOP™** as featured in **WOOD MAGAZINE (MAY/JUNE 85)** is complete with stile & rail, slot & panel raising bits for the 1/4" chuck router. Bits are carbide tipped & BB & will make 3/4" thru 2 1/4" thick raised panel doors. Door Shop™ & Manual \$89.50 ppd. The 1/2" shank Door Shop™ now available.



The 35 page **DOOR SHOP™ MANUAL** is clearly written and beautifully illustrated with over 156 detailed drawings covering the complete process of door building. Each section covers proper methods and exact set ups for the router, including how to recognize and correct for errors. There are sections covering Design, Lumber selection, Measuring, Panel Raising, curved & straight Rail and Stile cutting & fitting, Guides, Clamping, Gluing and Finishing. This is the most comprehensive manual out today. When purchasing the Door Shop™ manual for \$5.00 you also receive Zac's 32 page Router bit and Shaper cutter catalog free. \$5.00 rebated with purchase of our Door Shop™ or Panel Raiser™ bits.

Zac's carbide tipped **PANEL RAISER™** router bits come in 3 styles; OGEE, COVE, & PROVINCIAL. All 1/2" shank bits are 3 1/2" in diam., with BB & give a full 1 1/2" raised panel. \$99.50 @ ppd. All 1/4" shank bits are 2" in diam. & give a 1" or larger raised panel cut. \$65 @ ppd.



TO ORDER  
 CALL 800-441-0101  
**ZAC PRODUCTS INC.** 533 West 34th Street NYC, NY 10001  
 IN NY 212-947-4496

**Sometimes you want  
to build where there's  
no outlet handy.**

When electrical outlets aren't available or convenient, you need Hitachi cordless power tools. You get all the precision and all the quality that Hitachi Power Tools are famous for. And you can use these tools *anywhere*. Hitachi cordless power tools come with automatic cut-off charger and battery pack.

**Contact your local distributor.**



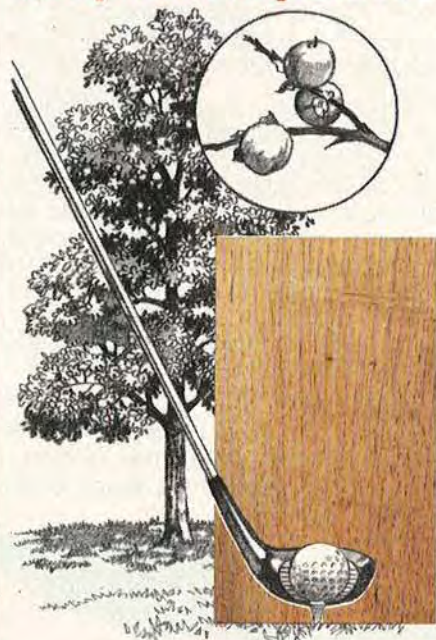
 **HITACHI**  
Cordless Power Tools

## WOOD ANECDOTE

 Print this article

### PERSIMMON

The hole-in-one ebony that puckered pioneers



Pioneers learned to harvest the fruit of America's only ebony, persimmon, after fall's first frost. Before then, the small pinkish-red "possum apples" possess enough tannic acid to pucker impatient pickers until Christmas.

Of the more than 200 species of trees and shrubs that claim membership in the ebony family, persimmon (*Diospyros virginiana*) and Texas persimmon (*Diospyros texana*) are the only two you'll find in North America. The Texas species confines itself there, while the other is far-ranging. Often called possumwood because of this animal's attraction to the fruit, the common persimmon grows all the way from southern New York to Florida, west to Texas, and ventures into northern Missouri.

As in the pioneer past, folks still gather and use persimmons. The year's first frigid snap sends the tree's leaves tumbling, but sweetens the

remaining small, globular fruit. Semi-sweet and edible right off the tree, persimmons become the fruity ingredient in jams, jellies, breads, and cookies.

Normally a small- to medium-sized tree no higher than 60-75', the persimmon has wood much like its dark, tropical cousins. The small core of heartwood varies from black to dark brown with a nearly white sapwood that is close-grained and strong. The sapwood takes a high polish and is a favorite for treenware made locally where it grows, as well as long-lasting shuttles for looms in the textile industry.

It's on the golf course, however, that persimmon really shines. Here, pros and divoters alike praise premium drivers' heads made from persimmon sapwood, which neither splits nor splinters upon impact. 🌳

Photograph: Hopkins Associates  
Illustration: Jim Stevenson



**Long-lasting flexible finisher**  
This tough, synthetic wood finishing pad won't shred like many finishing products, yet it's equivalent to 500-grit sandpaper and #00 steel wool. Use it to smooth bare wood, rub in oil finishes, and de-nib between coats—when you're through, you can rinse out the pad and tuck it away for your next project. Two other versions are available, too: a stripping pad for chemically removing paint or varnish and a metal-finishing pad. *3M Wood Finishing Pad*, under \$1.50 in hardware outlets, home centers, and discount stores across the country.



**This epoxy follows your directions**  
Adaptability is the key to this epoxy. By varying the proportion of resin to hardener, you create a custom mix ranging from 1:1 (for a joint that has to "give" a little bit) to 2:1 (for rigid strength). The adhesive is specially formulated for solid bonding to oily or acidic woods such as teak. *G2 Epoxy (750 ml. kit, including resin, hardener, gloves, and mixing supplies)*, \$20.95. For the dealer nearest you, write *Headland Intl.*, 2020 124th Ave. N.E., Suite C-102W, Bellevue, WA 98005.



**No checks, no splits, no errors**  
Worried about lumber checking or splitting during seasoning? Protect your investment in freshly cut log sections—or partially turned green wood projects you're planning to finish later—by coating them with this green wood sealer. You can apply the waxy sealer with a brush, swab, or low-pressure sprayer; one gallon covers about 100 square feet. *Chapman Sealtite 60 (catalog no. 01W61-LE)*. \$13.25 per gallon post-paid. We obtained ours from *Woodcraft Supply Corp.*, 1 Atlantic Ave., Box 4000, Woburn, MA 01888.

*Continued*

©Minwax is a registered trademark ©1986 Minwax Company



## At last! A wood filler for the big jobs.

Now there's a wood filler that can rescue damaged and even rotted wood—High Performance Wood Filler by Minwax.

It won't shrink, crack, or fall out. It hardens in only 15 minutes and can be sanded, planed, drilled, carved, painted, or stained in less than half an hour. And it's weather, water, and rot resistant.

It repairs almost anything made of wood, indoors or out. From windowsills and decks to woodwork and furniture... it's the wood filler for the big jobs. Look for it at your favorite store. For more information, send in the coupon.

## High Performance Wood Filler to the rescue!



Minwax Company, Inc., Dept. WO-076  
P.O. Box 426, Little Falls, NJ 07424

Please send free information package.

Name

Address

City  State  Zip



**Minwax makes wood beautiful**



## We're Keeping The Flame Burning.

We believe Made in America still means made by the best. That's why you'll see the *Proudly Made in the USA* label on all our genuine, American-made CooperTools brands.

So the next time you need the right tool for the job, look for this label.

When you do, you'll be helping to keep this flame burning.

And keep America working.



CRESCENT® LUFKIN® NICHOLSON®  
PLUMB® TURNER® WELLER® WISS® XCELITE®

©1986 The Cooper Group, Inc.



## Build Your Own Antique Telephone

Dakota Woodworks is the country's largest manufacturer of antique reproduction oak telephones. Now our authentic reproductions are available in kit form. The kits are available in two skill levels — so whether you're an accomplished woodworker or just beginning, we have a phone for you! Both levels include solid state electronic components and all outer hardware. "Pre-cut" phone kits include all cabinetry ready for stain and finish after only light sanding. Our "Components only" kits include hardware and electronics along with blueprints for the construction of the case. Send \$2.00 for full-color catalog. (Sorry, but we cannot send free catalogs).



Kindred, ND 58051 • (701) 428-3105

## PRODUCTS THAT PERFORM

Continued



**A compass you can count on**  
Milled from solid steel, this first-class 8" pencil compass should last long enough to serve the next generation of woodworkers in your family. The heavy-duty fitted hinge and knurled locking nut ensure accurate adjustments that will stay locked. *Workshop-Quality Pencil Compass (catalog no. 04N02.01), \$23.85 postpaid. We ordered ours from Garrett Wade Co., 161 Avenue of the Americas, Dept. W, New York, NY 10013.*



**We call this a square deal**  
Here's a multifunctional tool that's as helpful for cabinetmaking as it is for your large-scale remodeling projects. Use the three-part instrument—straightedge/rule, adjustable T-head, and protractor square head—to level, duplicate angles, calculate rafters, and find centers of large circles (up to 9½'). The blade serves as a rule and straightedge; the T-head, with its plumb and level vial, acts as a rigid, lightweight level. *Panel Square (no. 475), \$39.99 retail. Available in home centers and hardware stores nationally. Empire Level Manufacturing Corp., P.O. Box 26187, Dept. W, Milwaukee, WI 53226.*



**Double your dadoing pleasure**  
Combining the convenience of an adjustable dado blade with the accuracy of a stackable dado set, this 8" dado blade works well on both table and radial-arm saws. Two 24-tooth carbide-tipped blades make the tool infinitely adjustable from 1/4" to 3/16" cutting widths. The twin-blade design helps cut square, flat-bottomed grooves. *Twin-Blade Carbide-Tipped Adjustable Dado (no. 32708), \$100. Available from the 1985/86 Sears Power and Hand Tool Catalog. Or, purchase it at larger Sears stores.*



**A leg up on big jobs**  
The next time you're ripping long boards on your table saw—or need a helper to hold up the "dummy end" of a project—unfold this solid pedestal roller. The welded-steel unit sits on non-marring floor pads, adjusts from 26–45", and is topped by a 13" steel ball-bearing roller. *HPR-13 Pedestal Roller, \$39.95. For the dealer nearest you, write HTC Products, Inc., 120 E. Hudson—Dept. W, Royal Oak, MI 48067. Or, call toll-free: 800/624-2027.*

## Be Your Own Boss and Make

**\$18.00  
to  
\$30.00  
AN HOUR!**



Your FREE Lifetime Security Fact Kit tells you how to make \$18.00 to \$30.00 an hour in your own Foley-Belsaw Full-Service Saw and Tool Sharpening Business. Your FREE Fact Kit explains how you can:

- be your own BOSS!
- work full time or part time, right at home.
- do work you enjoy and take pride in.
- operate a CASH business where 90¢ of every dollar you take in is clear CASH profit.

And it is so easy to learn. Foley-Belsaw gives you all the facts and instructions. No experience or special training is necessary. Foley-Belsaw tells you everything you need to know to be successful.

And there's plenty of business available in your area. You will be able to sharpen all types of saws, garden and shop tools for home, farm and industry.

You will be able to set your own hours and not have to worry about layoffs and strikes. And there are no franchise fees. Any age person can succeed.

But you've got to get the FACTS before you can get started. So write NOW for your FREE Lifetime Security Fact Kit. It's yours to keep with NO OBLIGATION.

... send NOW for your FREE Lifetime Security Fact Kit!



**FREE  
LIFETIME  
SECURITY  
FACT KIT**



The Foley-Belsaw Co.  
20279 Field Bldg.  
Kansas City, MO 64111

YES, I want to know more!  
Please rush my FREE Lifetime Security Fact Kit.

Name \_\_\_\_\_  
Address \_\_\_\_\_  
City \_\_\_\_\_ State \_\_\_\_\_ Zip \_\_\_\_\_  
(Area Code) Phone \_\_\_\_\_

## FREE SANDING BELTS DIRECT FROM THE MANUFACTURER

GET SIX FREE BELTS FOR EACH DOZEN ORDERED. All belts are aluminum oxide first quality. Our electronic presses make smooth bump-free splices.

Check your size and how many dozen. We will ship assorted grits unless otherwise specified.

- 1" x 30" — \$12.70/doz.
- 1" x 42" — 12.75/doz.
- 1" x 44" — 12.80/doz.
- 3" x 18" — 13.75/doz.
- 3" x 21" — 14.25/doz.
- 3" x 23 3/4" — 14.70/doz.
- 3" x 24" — 14.75/doz.
- 3" x 27" — 15.25/doz.
- 4" x 21 3/4" — 16.75/doz.
- 4" x 24" — 17.25/doz.
- 4" x 36" — 20.95/doz.
- 6" x 48" — 26.95/1/2 doz. (3 FREE)

### 9" x 11" Paper Sheets

A/O Cabinet Paper		No Load Finishing Paper		
	50/pk.	100/pk.		
40-D	<input type="checkbox"/> \$17/pk.	<input type="checkbox"/> \$31/pk.	180-A	<input type="checkbox"/> \$11/pk. <input type="checkbox"/> \$19/pk.
50-D	<input type="checkbox"/> 16/pk.	<input type="checkbox"/> 28/pk.	220-A	<input type="checkbox"/> 11/pk. <input type="checkbox"/> 19/pk.
60-D	<input type="checkbox"/> 15/pk.	<input type="checkbox"/> 26/pk.	280-A	<input type="checkbox"/> 11/pk. <input type="checkbox"/> 19/pk.
80-D	<input type="checkbox"/> 14/pk.	<input type="checkbox"/> 24/pk.	320-A	<input type="checkbox"/> 11/pk. <input type="checkbox"/> 19/pk.
100-C	<input type="checkbox"/> 13/pk.	<input type="checkbox"/> 22/pk.	400-A	<input type="checkbox"/> 11/pk. <input type="checkbox"/> 19/pk.
120-C	<input type="checkbox"/> 13/pk.	<input type="checkbox"/> 22/pk.		
150-C	<input type="checkbox"/> 13/pk.	<input type="checkbox"/> 22/pk.		

### Wet or Dry S/C Paper

	50/pk.	100/pk.
220-A	<input type="checkbox"/> \$15/pk.	<input type="checkbox"/> \$25/pk.
320-A	<input type="checkbox"/> 15/pk.	<input type="checkbox"/> 25/pk.
400-A	<input type="checkbox"/> 15/pk.	<input type="checkbox"/> 25/pk.
600-A	<input type="checkbox"/> 15/pk.	<input type="checkbox"/> 25/pk.

**NEW ITEM!**  
 BELT CLEANING STICK - \$6.95

Other size belts on request.

Prompt delivery from stock.  
MONEY-BACK GUARANTEE

Shipping Charges - Under \$35 add \$2.50; \$35 or more add \$4.00—PA residents add 6% sales tax.

Check or Money Order.  
 MasterCard  VISA Exp. Date \_\_\_\_\_  
Acct. # \_\_\_\_\_  
Name \_\_\_\_\_  
Address \_\_\_\_\_  
City, State & Zip \_\_\_\_\_

**CALL TOLL FREE  
1-800-428-2222  
PA Only - 1-800-222-2292**

**INDUSTRIAL ABRASIVES CO.**  
643 North Eighth Street  
Reading, PA 19603

**W**hether your woodworker's license reads "Beginner," "Intermediate," or "Expert," you're bound to have a few questions about your favorite hobby. We can help. Each issue, we'll consult our experts for answers to your most-asked questions. Send your questions to:

Ask **WOOD**  
 Better Homes and Gardens®  
**WOOD** Magazine  
 Locust at 17th  
 Des Moines, Iowa 50336

*Due to the volume of mail, we can't promise to answer all questions. But we try! Letters selected for use will be edited for publication.*

## SEEING RED UNDER AN OLD FINISH

**Q.** *While stripping an old dining table, I discovered what appears to be a red-dye finish. How can I remove the dye?*

—John P. Paintner, Sacramento, Calif.

**A.** This is a tough one to answer, because the dye may have thoroughly impregnated the wood. You'll have to do a little experimenting. First, try a different brand or type of stripper than the one you've already used. Or, sand a little deeper than you normally would, being careful not to sand through thin veneer or damage the edges. If you're still seeing red, you might try bleaching the color out of the wood.

The one remaining solution is to hide the red by using a brown or umber stain; a finish with no red in it will tend to neutralize the unwanted color.

## TIPS ON SPRAYING POLYURETHANE

**Q.** *I am using lacquer to finish my projects but would like to try spraying polyurethane with my compressor. Can you advise me?*

—R. H. Johnson, Midwest City, Okla.

**A.** First, check the label for any directions regarding safety precautions, diluting, and spraying. For open spraying on large surfaces, use 30–35 psi with an open pattern releasing a moderate amount of polyurethane. For tight, inside spaces, reduce the pressure, and tighten the pattern with more polyurethane.

We suggest three coats. After applying a diluted sealer coat, sand with 220-grit sandpaper (or 0000-grade steel wool on irregular surfaces). Follow up with an undiluted second coat, and sand lightly with 320 grit. Finish with an undiluted top coat.

## PLANELY REVOLUTIONARY NEW CONCEPT IN ABRASIVE TECHNOLOGY

Porter-Cable's new Abrasive Plane lets you plane materials never before possible with standard planes. By replacing costly, fragile steel and carbide plane cutters with durable abrasive sanding sleeves. Work with concrete, ceramic tile, linoleum, plastics, fiberglass and non-ferrous metals, as well as wood. Economical sleeves available in 3 grade grits.

For more information, call your local Porter-Cable distributor.

**Quality By Design**

# PORTER-CABLE

PROFESSIONAL POWER TOOLS

P.O. Box 2468, Jackson, Tennessee 38302, (901) 668-8600



TILE

METAL

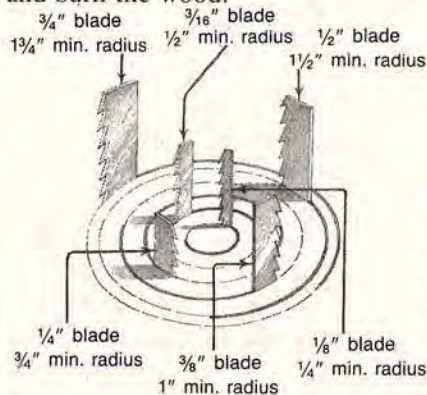
MASONRY

## BAND-SAW BURN MARKS

**Q.** *I would like to know what causes burn marks on the wood I cut on my band saw. Changing blades hasn't helped.*

—Walter Rybarczik, Perth Amboy, N.J.

**A.** You're probably trying to cut too tight a radius with too wide a blade. Use the chart, below, to determine the right blade for the radius you want to cut. In addition—if you're working with dense woods such as ebony, maple, or rosewood—your feed rate may be too slow, allowing the blade to overheat and burn the wood.



## WHY JOINTS POP LOOSE

**Q.** *Can you tell me why glue joints pop loose on a project like a tabletop?*

—Howard Bushnell, Roadhouse, Ill.

**A.** We could write an entire article in response to this question, Howard. But here's a basic checklist to help you pinpoint the culprit.

- 1) Was the wood dry and stable to begin with? Remember that changes in humidity levels also can cause stress as joints swell and contract.
- 2) Did you join the boards properly? Mating edges should be perfectly matched.
- 3) Were both sides finished equally? You're asking for trouble later if you apply five coats to one side and none to the other.
- 4) Is gluing the problem? Your glue may have exceeded its shelf life, or it

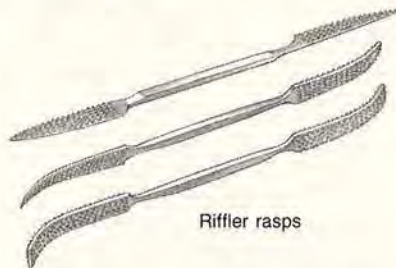
may simply have been a bad batch. Perhaps you exceeded the glue's open time—never let it start to set before you clamp the joint. Remember, too, that many glues should not be used below 60° F. Finally, did you thin the glue? You should never thin glue unless instructions are provided on the label.

## SMOOTH SANDING IN TIGHT SPOTS

**Q.** *Help! After cutting fancy scroll designs with my band saw, how do I get rid of the rough blade marks in areas with as little as 1/2\"/>*

—Maria Kinsey, Bridgeport, Texas

**A.** You may be overdoing it by expecting a power tool to do the job. Finish-sanding of intricate shapes is best done by hand, and one solution may already be at your fingertips: an emery board. If an emery board won't fit (or is the wrong shape), use double-stick tape to hold sandpaper to tiny, odd-shaped wood scraps or old jigsaw blades (flatten the teeth with a hammer first).



Riffler rasps

A more expensive option—but one that might be just the ticket if you do a lot of fine-detail work—is a set of *riffler rasps* (shown above). They're designed for wood carving and sculpting and are available in many grades and shapes from mail-order woodworking suppliers. One supplier offering several riffler sets is Woodcraft (41 Atlantic Ave., P.O. Box 4000, Woburn, MA 01888).

Continued

# WOODWORKS

	Qty.	Total
3-1/2" Maple Shaker Pegs	\$20.00/100	
1-3/4" Mini Shaker Pegs	7.00/100	
3-3/8" Kitchen Mug Pegs	20.00/100	
2-7/16" Tie Rack Pegs (NEW)	7.00/100	
Bean Pot Candle Cup	17.00/100	
Brass Pltd Candle Cup Insert	3.00/25	

## LOW PRICES

Maple Toy Wheels with 1/4 holes		
1 x 3/8 Maple Toy Wheels	\$6.50/100	
1-1/4 x 7/16	8.50/100	
1-1/2 x 1/2	10.00/100	
1-3/4 x 9/16	14.00/100	
2 x 5/8	17.50/100	
Axle Pegs For Above	4.50/100	
Pickle Barrel-Toy Cargo	1.90/6	
Little Man	1.60/7	
Smokestacks 2-3/4" Tall	4.80/12	

## HIGH QUALITY

3/4" Full Round Balls	\$8.00/100	
1" Full Round Balls	10.00/100	
Grade A Large Hen Eggs	35.00/100	
Nutcracker - White Birch	3.00/Each	

## FAST SERVICE

3/8" Maple Buttons	\$2.15/100	
1/2" Maple Buttons	2.25/100	
3/8" x 2" Dowel Pins	2.20/100	
1-1/2" Maple Spindles	9.00/100	
1-1/2" Oak Spindles	12.00/100	
Clockmaker's Finial	1.50/Each	

## LARGE SELECTION

1/4" x 36" Birch Dowels	\$4.25/25	
3/8" x 36" Birch Dowels	6.50/25	
1/2" x 36" Birch Dowels	10.50/25	
3/8" x 36" Oak Dowels	5.50/10	
1/2" x 36" Oak Dowels	8.00/10	
3/4" x 36" Oak Dowels	15.00/10	

## MONEY BACK GUARANTEE

**BONUS** CHECK THIS BOX, AND AS A BONUS WITH ANY ORDER FOR WOOD PARTS, WE WILL SEND YOU A COMPLIMENTARY 8 OZ. BOTTLE OF FRANKLIN TITEBOND WOOD GLUE.  CHECK HERE

\$2.25 VALUE #B7



## ORDER NOW

32 PAGE 1986 CATALOG  
OVER 100 NEW ITEMS  
\$1.00 (FREE WITH ORDER)

TOTAL FOR GOODS  
TEXANS ONLY  
ADD 5% SALES TAX  
HANDLING AND  
INSURANCE

\$3.00

FINAL TOTAL

MC OR VISA  CHECK ENCLOSED

ACCOUNT # \_\_\_\_\_

EXPIRES \_\_\_\_\_ PHONE \_\_\_\_\_

NAME \_\_\_\_\_

SHIP TO \_\_\_\_\_

CITY/STATE/ZIP \_\_\_\_\_



817/281-4447

WOODWORKS

4013-A CLAY AVE. • FT. WORTH, TX 76117

Luxurious Contemporary  
Custom Homes  
that retail for  
\$17.00 Per Sq. Ft.



Modern technology, excellent craftsmanship, and American ingenuity has resulted in a housing design with standard features not found in homes selling at twice the price.

- Fully Insulated
- Thermo Pane Windows
- Cathedral Ceilings
- Exterior Decks
- Quality Construction
- FHA and VA Accepted
- Built-in Computer Center which allows the home to perform many functions for the occupants.
- Interior Design Flexibility

EAGLE'S NEST HOMES is seeking one district representative to establish retail sales.


- Unlimited Income Potential
- Protected Territory
- Factory Training
- No Real Estate License Required
- Investment Secured by Model Home

Individual selected must have the ability to purchase or mortgage a \$21,000 model home. Home may be lived in or used as an office.

Call Mr. Wood  
collect (404) 255-0728  
6363 Roswell Rd., Suite B  
Atlanta, GA 30328

## Cascade Precision Tool Co.

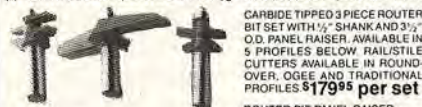
Box 848, Mercer Island, WA 98040

OFFERING PREMIUM QUALITY  BRAND CARBIDE TIPPED ROUTER BITS AND SHAPER CUTTERS



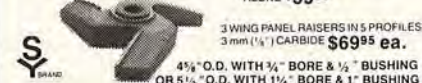
FREE 1/2" DOVETAIL WHEN YOU ORDER THIS SET OF CARBIDE-TIPPED ROUTER BITS INCLUDING 1/2" RABBIT, 1/2" OGEE, 1/2" COVE, 1/2" ROUND-OVER, 1/2" AND 3/4" STRAIGHT BITS WITH EXTRA BEARING FOR BEADING

1/4" SHANK SET \$64.95 PPD. 1/2" SHANK SET \$69.95 PPD.



CARBIDE TIPPED 3 PIECE ROUTER BIT SET WITH 1/2" SHANK AND 3/8" O.D. PANEL RAISER. AVAILABLE IN 5 PROFILES BELOW. RAIL/STILE CUTTERS AVAILABLE IN ROUND-OVER, OGEE AND TRADITIONAL PROFILES. \$179.95 per set

ROUTER BIT PANEL RAISER ALONE \$59.95



3 WING PANEL RAISERS IN 5 PROFILES 3mm (1/8") CARBIDE \$69.95 ea.

4 3/4" O.D. WITH 3/4" BORE & 1/2" BUSHING OR 5 1/2" O.D. WITH 1 1/4" BORE & 1" BUSHING



5° FACE CUT 15° FACE CUT CONCAVE 12° FACE & QTR RD CONVEX

### SHAPER CUTTERS

3/4" BORE WITH 1/2" BUSHING

from \$29.95

1/2" BORE IN 20 PROFILES - \$22.00

### 6-PIECE CABINET SETS

3/4" BORE WITH 1/2" BUSHING

\$179.95

### "MAGNUM LINE"

SHAPER CUTTERS - CABINET/DOOR SETS

4 Wing • 1 1/2" Bore (1" Bushing) • 4" - 4 1/2" Diameter • 3mm (1/8") thick carbide

AVAILABLE AT AFFORDABLE PRICES

ORDER BY PHONE WITH VISA/MC OR SEND M.O. CHECK, VISA/MC NUMBER, EXP DATE, PHONE NUMBER. CATALOG \$1 - FEATURING OVER 200 CARBIDE TIPPED ROUTER BITS AND SHAPER CUTTERS.

DEALER INQUIRIES INVITED

SATISFACTION GUARANTEED  
ORDER TOLL FREE  
1-(800) 235-0272

IN WASHINGTON CALL 1-206-236-0272  
CHARGE YOUR ORDER  
10 AM-7 PM  
Monday through Saturday



# ASK WOOD

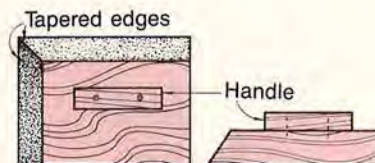
Continued

## SANDING YOURSELF INTO A CORNER

**Q.** What's the best way to sand tight inside corners on cabinets or shelves, without scuffing the adjoining panels?

—Wesley Lampson, Buffalo, N.Y.

**A.** Dig into your scrap bin for the material to make the sanding tool shown here. Because its edges are tapered, you'll be able to avoid scuffing panels that don't need sanding. You can make the tool easy to control by nailing a small wood-block handle to the top and holding the sandpaper in place with masking tape.



TOP VIEW

SIDE VIEW

## #682 Storage Shed

Clear, concise plans to build from.

- 8-0" x 10-0"
- Two 24" doors offer a wide 4-0" opening
- Recessed area for firewood

Work counter with tool board

Order this plan and gain back that cluttered space in your garage! \$14.95 plus \$1.50 P & H Iowa res. add 4% sales tax



Order our new catalog for only \$2.00 (refundable with your next order)



P.O. Box 65725  
W. Des Moines, IA  
50265

## HUGGER HOOKS REALLY LOCK!



Now you can remove a tool or utensil from perforated board without having the hook fall out! Just turn the exposed screwhead and hugger hooks will stay put. Reverse the turn, and you can remove the hook for resetting! Available in three sizes: for 1/8", 3/16", 1/4" thick board in various shapes and styles. Mail order assortment of 20 hooks is \$4.00. Specify 1/8", 3/16", 1/4" board thickness.

**ROMAN PRODUCTS, INC.**  
4363 Loveland St., Golden, CO 80403

—Rare—

## MACASSAR EBONY

MAGNIFICENT GRAIN,  
high figure or subtle.

MATCHLESS DIMENSIONS,  
1" up to 9" thick, 4" up to 20" wide.  
Random lengths to 9 feet. Best selection available in the U.S.

LOWEST COST from a DIRECT IMPORTER. NO MINIMUM ORDER.

**A. Eisenbrand, Inc.**

4100 Spencer Street, Suite EW3

Torrance, CA 90503

(213) 542-3576

## WOODWORKERS

### FULL SIZE PATTERNS

Simple to make - Fun - Profitable

- 75 pattern packet plus "Shop Secrets"
- Over 50 "Folk Art" patterns
- 6 "Wind-Action" whirligigs packet
- 40 craft plaques plus projects
- 8 child pleasing aircraft packet
- 6 decorative magazine racks

Send \$6.00 per blueprint packet or choose any 3 FOR ONLY \$12.00.

**ACCENTS, Dept. MA76**

P.O. Box 262

Danvers, MA 01923

Brochure of 400 designs \$2.00

(Free with order)



## WHY CARBIDE BITS COST MORE

**Q.** Why do carbide-tipped router bits cost substantially more than bits made of high-speed steel?

—J. Wester, Jacksonville, Fla.

**A.** To get the longer life of carbide-tipped bits, you're paying for two things: more expensive raw materials and increased labor during the manufacturing process. Carbide is much more highly refined than high-speed steel, and the carbide must be bonded to the cutting edges of the bits, which adds to production time.

Here's a tip: When you go shopping for router bits, steer away from those that are only "gilded" with carbide. Instead, choose router bits that have a substantial carbide surface that you can resharpen several times. You'll save money in the long run. 🌲



LIMITED EDITION

# STATUE of LIBERTY

## Commemorative Knife Layered In Pure 24 K GOLD for only \$5?



Picture actual size shown!

### Unbelievable, but true.

To celebrate the 100th birthday of our most famous lady, the giant New York publicity firm of The Direct Connection will distribute a limited edition of the famous Statue of Liberty Commemorative Knife for the astonishing "celebration price" of only \$5 each only to those who write to the company address (below) before Midnight, Sept. 30, 1986.

**The Direct Connection, Dept. 5471  
37 West 26 Street  
New York, NY 10010**

### Layered in pure 24 K Gold!

These knives are not copies. These are genuine Limited Edition STATUE OF LIBERTY COMMEMORATIVE KNIVES layered in pure 24 K GOLD!—the same famous commemorative knives advertised in leading media throughout America and selling for many times the price.

### A True Collector's Edition

As befits a tribute of this magnitude, this knife will be available only until the end of this publicity campaign...at that time, the dies will be destroyed and the edition closed forever. Each knife you receive will be engraved with its own individual serial number, assuring you it is part of this special celebration. ATTENTION COLLECTORS! for the coveted low serial numbers,

order quickly. First come, first served. There is a limit of two (2) knives per address at this price, but requests which are mailed early enough (before Sept. 17) may request up to five.

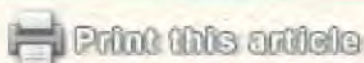
These famous Commemorative Statue of Liberty Knives will not be sold at this price by the company in any store. To obtain one at this special Celebration Price, you must write to the company before Midnight, Sept. 30, 1986.

### 50-Year Repurchase Guarantee!

Collectors should know that each commemorative knife is covered by a full 50-Year Repurchase Guarantee. Should you ever wish to sell or redeem your Statue of Liberty Commemorative Knife the company pledges to repurchase it from your anytime you wish within the next 50 years for the full cash price you paid.

To obtain your Statue of Liberty Commemorative Knife, write your name and address on a piece of paper and mail along with \$5 for each Knife. Add only \$2 shipping and handling no matter how many Knives you are requesting. Allow up to 60 days for shipment. Mail to:  
**The Direct Connection, Dept. 5471, 37 West 26 Street, New York, NY 10010.**

## SOUND ADVICE



### HOW TO HEAD OFF WORKSHOP MISTAKES

It's a shame when your sense of satisfaction with a completed project gets spoiled by obvious flaws in workmanship—flaws that you could have avoided. Here are eight planning tips that will help you avoid trip-ups.

**1 Draw it out.** Your plans don't have to be good enough to satisfy an engineer—rough drawings will do—but you definitely need them in some form. Chances are, if you can't figure it out on paper, you won't fare any better in the shop.

**2 Buy more than you need, not less.** Don't procrastinate and think you can always return later for that extra board or can of stain. The next shipment of walnut may be a

shade lighter, and that particular stain may be gone. Trying to match later always causes problems.

**3 Measure twice and cut once.** It's an adage that merits repeating—often. The few seconds it takes to check a measurement can be well spent when you consider the time it takes to find a board long enough to replace the one you cut just a hair too short.

**4 Make 'em fit tight.** Loose joints mean wobbly furniture. Test-cut joints and dadoes on scrap first. It's much easier to readjust a shelf dado for a shallower cut than to rebuild half a bookcase due to a cut made too wide or deep.

**5 Dry-clamp first.** When you have someone yelling in the background to "Get it done and in the living room," time can seem more important than quality. But gluing and clamping a frame together only to find that one misfit piece throws the whole cabinet out of square is much worse.

**6 Sand till you're dead tired, and then sand some more.** The best-built project is no better than the finish. A hastily sanded surface always tells on you. Left-behind scratches never fail to reappear when you apply finish.

**7 Know your finish and take your time.** You're almost there—sturdy joints and perfectly sanded surfaces. Now comes the finale. Start with a dust-free shop, and use quality brushes and finishes. Good finishes require soft brushes, well stirred (not shaken) varnishes, and light sanding or steel-wooling between coats.

**8 Slooowww downnnn.** Last, but definitely not the least important of our tips is to *take your time*. Remember that what takes 20 hours to build may be around your house for 20 years. The pleasure you derive from viewing the project *after* it leaves your shop depends on the time you spent working on it *in* your shop. ♣

During long hours of shaping and sanding, I wondered how my mahogany looked when the wood was still reaching toward the tropical sun . . .

## START FROM THE BEGINNING.

After searching far and wide, I am thrilled to share with you four varieties of uncommon and amazing exotic seedlings. Grow these 2-4 inch tall beauties as house plants. *Fascinating gift.*

- Mahogany \$5.95
- Teak \$7.95
- Lignum Vitae \$7.95
- Camphorwood \$5.95



Limited supply. Complete growing instructions included. Add \$2.00 postage and handling for one or \$3.75 for two or more.

Send your check or money order to:

**LIVING EXOTIC HARDWOODS**  
P.O. Box 4172 • Boulder, CO 80306

## PROTECT YOUR EYES



- Large 62mm polycarbonate lenses now have exclusive "4-C" scratch, chemical, static, and fog resistant finish.
- Ratchet hinge front, angles in or out to assure comfortable, goggle-like fit. One size fits all. Ventilated side protection.

Write or call us for a  
**free Head-to-Toe Safety Catalog**

Money back guarantee. You must be pleased.  
Check, Money Order, MasterCard, Visa. **\$9.95 Delivered**

**KENCO SAFETY PRODUCTS DIV.**  
78 Glasco Turnpike P.O. Box 385 Woodstock, N.Y. 12498  
IN NY STATE (914) 679-5246 OUT OF STATE (1-800-341-4103)

## BRANDING IRON

For hard and soft wood



**\$27.00**

Plus \$2.00 for shipping and handling

Nebr. residents add correct sales tax

**GUARANTEED**

- Shipped in 1 week
- Solid brass head — deep cut letters
- First Line: HAND CRAFTED BY — as above
- 2nd line: Your choice — 20 characters/spaces max.
- Compact size
- As above but with 3rd line — \$37.00 + \$2.00
- Other models and free brochure available

Order anytime by phone or mail

**NOVA TOOL CO.**

4533 Colfax Circle, Dept. BH86  
P.O. Box 29341, Lincoln, NE 68529  
(402) 464-0511

## BAND SAW OWNERS!

A NEW TOOL is now available so you can make or repair any length Band Saw Blade in minutes!

This patented tool was developed for use in our own shop and has proven itself with thousands of high quality, true running splices.

Our splicer enables any craftsman to make up any length blade from economical coil blade stock QUICKLY and EASILY. The resulting silver brazed joint normally outlasts the service life of the blade.

Three models are currently available:

- IC-001 1/4" to 3/4" Blades . . . . . \$ 49.95 ppd
- IC-002 3/4" to 1 1/4" Blades . . . . . 49.95 ppd
- IC-003 3/4" to 1 1/2" Blades . . . . . 150.00 ppd

The tool comes complete with detailed instructions and supplies for approximately 100 splices.

We also carry additional supplies and OLSON band saw stock at reasonable prices.

Send L.S.A.S.E. for FREE information to:  
**NEW MILFORD SPECIALTIES CO.**  
Dept. BH, 24A South Main Street  
New Milford, CT 06776  
(203) 426-4276

## PRECISION MOVEMENTS

(215) 967-3156

QUARTZ MOVEMENT "Six-Pack" ONLY \$21.00

SAVE OVER 30%

- Solid Brass Shaft
- On-Off Switch
- Accurate to Within 15 sec./month
- 5 YEAR GUARANTEE
- 4 Sizes Available  
3/8" 9/16" 3/4" 7/8"

Sizes May Not Be Assorted

EACH QUARTZ "Six-Pack" INCLUDES:

- 6 QC Quartz Movements
- 6 Pairs of 2 1/2" Contemporary Brass Hands
- 6 Pairs of 3" Traditional Brass Hands
- 6 Brass Second Hands
- 6 Sets of Hangers and Hardware

PA. Residents Please Add 6% Sales Tax + \$2.50 Shipping and Handling Each.

P.O. Box 689 DEPT. G • EMMAUS, PA 18049

## SCROLL SAW OWNERS - Lettering Layout Guides!

- Use our specially designed guides to layout letters & numbers to be cut from wood or other materials.
- Made from a durable plastic material.
- Several styles & sizes.

Send \$3.00 (Refundable with first order) for descriptive brochure & prices to:

**SEYCO SALES** 1238 Bardfield  
Box 472749  
Garland, Texas 75047

## RECAE for fun and profit



Recane or re-rush heirloom chairs — for yourself or for others as a profitable hobby — with our full line of materials & instruction books.

Since 1934 America's largest selection of caning & basketry materials & supplies —

- Superior quality weaving cane & machine woven cane
- Flat oval & round reeds
- Fibre & genuine rush
- Danish seat cord
- Raffia, rattan, seagrass
- Hoops & handles

Illustrated catalog with complete how-to-do-it information, prices, order form: \$1 (refundable with 1st order)

**CANE & BASKET SUPPLY CO.**

1283 S. Cochran, Dept. W, Los Angeles, CA 90019

## WOOD TOY



- ★ Patterns
- ★ Parts
- ★ Wheels
- ★ Many New Patterns to Choose from.
- ★ Executive toys

SEND \$1.00 FOR NEW CATALOG & RECEIVE COUPON FOR FREE WHEELS & AXLE PEGS.

**toys and joys**

Box 628W Lynden, Wash. 98264

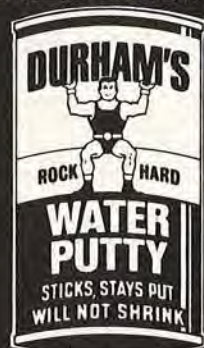
The Woodworkers' Store  
Rogers, MN 55374  
Dept. J407

# Free Catalog

44 colorful pages of speciality woodworking supplies.

## WOOD REPAIR

Durham's Rock Hard Water Putty makes lasting repairs in wood. Won't shrink or fall out. Sets quickly, holds tight and can easily be painted. Economical, easy to use. Available at lumber, paint and hardware stores.



**DONALD DURHAM COMPANY**  
Box 804-W Des Moines, IA 50304

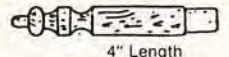
## DOWELS - PLUGS - PEGS

Manufacturer Direct  
Largest & finest selection Oak, Walnut, Hickory, Maple, Cherry, Mahogany, Teak, even Treated Dowels. Quantity discounts.

**MIDWEST DOWEL WORKS, INC.**  
4631 Hutchinson Road  
Cincinnati, Ohio 45248  
(513) 574-8488



**DUTCH WALL PEG**  
Hard Maple  
Oak  
Walnut



Catalogue on Request

## LOOKING FOR PIERCED TIN? Come to the source!

Handcrafted metal panels for pie safes, cupboards, kitchen cabinets & other projects.

Ready to install in a variety of sizes, 16 different finishes, over 150 patterns — OR all materials, tools, patterns & instructions to do-it-yourself! Our specialty is custom work to your specifications.



**TIN-ZINC-COPPER-BRASS & MORE!**

Switches & metal samples \$7.95 ppd. Catalog \$3.00 or free with order. NJ res. add tax.

Make this bird — & More! Kit \$19.95 ppd.  
**Kits! COUNTRY ACCENTS™ Lanterns!**  
RD #2 Box 293 Dept. WM Stockton, NJ 08559  
(201) 996-2885

Over 25 years experience in pierced tin

There's a plentiful, cabinet-quality hardwood—pretty as yellow birch, strong as hard maple, and pliable as ash. But hardly anyone uses it! American beech grows over nearly half the nation, yet it seems you only hear about it from the brewery that touts “beechwood-aged” beer. (Beech, as it turns out, imparts no taste of its own to the brew.)

Long ago, however, English craftsmen turned a European variety of beech to make legs for Windsor chairs. Even the ancient Greeks and Romans worked beech into tables, chairs, and chests.

In this country, beech lags behind other woods in popularity because it takes careful handling during seasoning to avoid checking, warping, shrinking, and discoloration. To avoid the processing expense, beech logs are sold for paper pulp or made into clothespins.

Some beech is used in the furniture industry for framing and bentwood parts. In the cabinet shop, it's made into moldings.

### Wood Identification

You'll find beech in every hemisphere, yet only one species grows in the U.S., *Fagus grandifolia*. Loosely translated, *fagus* means “to eat,” referring to its edible nuts, while *grandifolia* means “large-leaved.”

Beech trees often grow in pure stands in lower elevations from Maine south to northern Florida and west to Wisconsin and Texas. In prime conditions, trees may tower to 120' and approach 4' in diameter. A slow grower, beech is a survivor, living

# BEECH

## beautiful, bountiful, bendable . . . and barely known



Beech heartwood

Beech sapwood

up to 300 and 400 years.

You can spot beech by its smooth, skinlike, silver-gray bark, here and there disfigured by dark blotches and scars.

Beech wood resembles yellow birch, but with a tint of red in the darker brown heartwood and a hint of pink in the lighter sapwood. The grain is fine, with telltale, tiny pores. Count on beech to

be hard, strong, and heavy—it weighs about 45 lbs. per cubic foot dry.

### Working properties

Think of beech as working like hard maple and bending like ash. It doesn't yield easily to hand tools, but it machines well.

Screws and nails hold tight in beech's close grain. Gluing presents no problems, either. The wood

readily takes stain and sands to a smooth finish.

Beech does have a peculiarity, however. Because of the heartwood and sapwood's markedly different expansion and contraction rates, you wouldn't mix the two in the same project. If you did, you could end up with separated joints or uneven surfaces in the finished piece.

### Uses in woodworking

Beech represents one of a handful of woods that could be classified as “all-purpose” for interior use. It fills the bill for frame construction as well as finished surfaces, and it bends when steamed.

Made into drawers, beech exhibits the unique property of becoming slicker as it rubs against other wood members.

In woodturning, beech excels in objects with delicate stems, such as goblets. For toys, it resists splintering and chipping, and has no toxic properties (keep that quality in mind for bowls and cutting boards, too). Beech also resists wear when wet.

### Cost and availability

Although beech may be abundant in the forest, you won't find it everywhere at retail, especially far from its source. The large suppliers that carry beech charge less for it than the more popular hard maple or yellow birch.

Beech boards may be as wide as 12" and range up to 16' long. While beech sometimes becomes veneer, due to lack of demand you'll seldom find it used as the face on hardwood plywood. ♣

Illustration: Steve Schindler

# Lending a Helping Hand



**Above.** To introduce a new project design, Don builds a prototype and draws up plans. Here, at the group table, students discuss the construction of the train they'll build.

**Right.** Making unfinished oak and walnut toys comes quickly to Homebound Training students. After training, the disabled produce them at home.

# Don Mostrom, sculptor-turned-woodworker, helps the disabled build skills and confidence



Don Mostrom isn't the type of person to take a bow. He would never tell you that he made more than a small contribution to helping someone feel good about himself again. But as a woodworking instructor in a program for the disabled, Don contributes skill, patience, and a quiet understanding to those who need to reaffirm their sense of self-worth.

For six years, Don has taught woodworking in the Homebound Training Program sponsored by the Easter Seal Society of Iowa and the Iowa Department of Social Services. The program's goal: To teach unemployable, physically disabled Iowans the skills to make crafts for resale. The benefits of the program extend far beyond that, however, for the instructor as well as his students.

## A WORKSHOP OF PROMISE

"In today's world, where it seems there's such a 'do this for me' attitude, Homebound Training is a nice little oasis," Don explains. "Those people do something for someone else. And, the students do a lot for me—inside."

In the Easter Seal workshop, Don instructs his classes of six to eight students in the use of the table saw, band saw, drill press, lathe, and router. They make toys, doll furniture, birdhouses and feeders, whirligigs, jewelry boxes, and other

projects. After this first round of training, Don's students return home and set up shop with a full complement of the tools they've learned to use—paid for by the Iowa Easter Seal Society and the state, if students can't afford them.

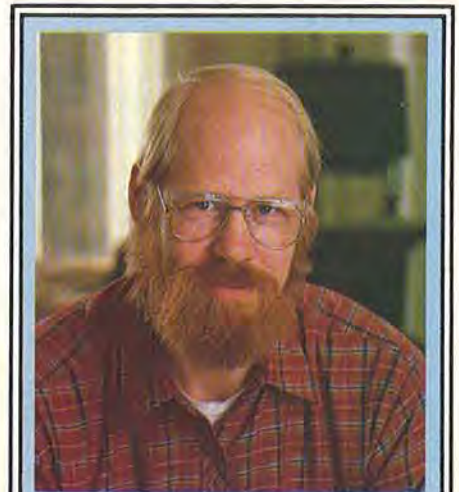
"The projects aren't complex," Don says from his desk in the corner of the workshop, "but they sell. I teach two four-week sessions. The first gives a good foundation in how to make things that have sales appeal but don't take a lot of time."

During a year's hiatus, students produce items at home and sell them through the Easter Seal Society's craftshop in the headquarters at Camp Sunnyside, near Des Moines. With the aid of the Iowa Elks Association, the craftshop markets students' wares without charge. The aspiring woodworkers can also sell on their own if they choose.

During the second training session, Don expands returning students' knowledge and skills with projects that focus specifically on router and lathe work, as well as finishing methods. At graduation, they add these new tools to their home workshop.

According to Don, students place great importance on making projects that actually sell, but they receive something more important than money—quality of life.

*Continued*



As a youngster in northern Minnesota, Don Mostrom, now 40, had the best playground in the world—hundreds of acres of timber. From that stockpile, he made lots of toys, and unknowingly prepared for a career in wood.

After Vietnam, where Don served as a U.S. Army medic, he studied fine arts at Drake University. While earning his MFA degree in sculpture, Don developed a keen interest in woodworking. Now he designs and builds custom furniture, restores antiques, and fine-tunes the Des Moines home he shares with his wife, Etta, and daughter, Berkleigh. For two months each year, Don shares his skills with the disabled in a unique rehabilitation program.



# Lending a Helping Hand

## NO DISABILITIES THAT CAN'T BE OVERCOME

Don realizes he has an advantage that many teachers don't: His students are highly motivated. "They come early for class and want to stay after it's over. I even have to throw them out at lunchtime!" Don says.

This teacher doesn't dwell on individual disabilities. There's a prevailing "can do" spirit in this workshop. Don looks at his job this way: "I deal with people, *first* and *foremost*. I take my students, whoever they are, however they are, as they are."

But Don sometimes has to deal with mental attitudes as well as physical disabilities.

A farmer in his early fifties had his active life restricted by paralysis and a wheelchair. In the workshop, Don

saw dejection and hopelessness, and sensed the man's resentment.

"He wouldn't accept what had happened, and he felt useless. Slowly, he discovered that he really could do something," Don recalls. "Then, he accepted his condition and decided to do something. From then on, there was no stopping him. He made our toys, designed his own, went home to set up shop, and I never saw him in a class again. He's still up in northern Iowa somewhere selling toys.

Carpenter Larry Sytsma (shown in photo, *below*) suffered a stroke that left his right arm almost useless. Despite this, Larry was determined to learn all the woodworking skills he could—as fast and well as anyone else in the class.

Some techniques posed particular problems, such as boring on the drill press. So Don taught him how to clamp workpieces down for one-handed machining.

"Don had more patience than I did," Larry says. "I eventually got rid of lots of the clamps and was able to use my arm more, even as a dead weight. But I wouldn't have started doing that if Don hadn't gotten me going."

Don sees that his students receive what they need to get their job done—special jigs, fixtures, or simply personal attention. Yet, he's never overbearing.

"The more they do on their own, the better off they'll be when they leave here," Don states. "They need the freedom to make mistakes. If they do, we can find out what went wrong and correct it."

*Homebound Training offers disabled Iowans far more than "occupational therapy," says Fred J. Kelly, the program's director. "That label fails to capture the wonderful feeling of self-worth students experience," he says. If you'd like details on Homebound Training, write: The Iowa Easter Seal Society, Camp Sunnyside, P.O. Box 4002, Des Moines, IA 50333.*



**Above.** Boring toy wheels on the drill press was a challenge for Larry Sytsma of Tracy, Iowa. A stroke forced him to adapt one-handed operation.

**Right.** Second-session student Bob Lechtenburg of Lawler, Iowa, has a disabling back injury. With Don's help, he learns clock-case construction.



## DON MOSTROM ON HIS OWN

During Homebound Training sessions, Don has little time for his own work because of preparation for his classes. But after a session rolls by, he returns to his shop for commissioned work and drop-in business, such as antique furniture repair.

At home, Don seems as much philosopher as woodworker when he speaks of his own work. "Rather than force my ideas on a piece of wood, I look at it, then come up with an idea. I guess that reflects my sculptor's background," Don says, his eyes twinkling behind wire-rimmed glasses.

One of Don's ideas became the "box-with-a-hole," *right*. A piece of koa with a large knotty area missing inspired him. Many woodworkers would only have used the clear wood, but Don saw something more, and the "hole" became part of the finely crafted box.

"I like my original work to catch your attention, draw you in for a closer look, then surprise you with details," Don explains.

Details also catch your eye in Don's walnut settee, *top*.

The numerals on the backrest and leg startle you and intrigue you at the same time. Don cut them from hard maple with a jeweler's saw. To shape the inset area in the walnut, Don fitted a tiny router base to a modeler's Moto-Tool, then cleaned up the cuts with a carver's gouge.

This artist's trained eye is apparent not only in his custom-made pieces, but in his antique repair, too. "Looking at sculptural form over the years makes it relatively easy for me to copy an old turned leg, for instance," he explains. "I also find I'm pretty good at matching old finishes—so they don't look *too* new."

### FINDING A DIFFERENT CHALLENGE IN DESIGN

Just as in his teaching, each custom piece represents a unique challenge, as individual students do. Don relishes both, even when his own work sometimes proves frustrating.



*Above.* Don's walnut settee is rooted in Windsor-chair design. He made the backrest from laminated,  $\frac{1}{8}$ " strips, and inlaid maple numerals at random.

*Left.* Made of koa, with walnut on the top and cocobolo splines, Don's  $6 \times 6 \times 4$ " box immediately draws attention. He used the "defect" as part of the design.

"When I can see that a project isn't coming together as I planned, I've learned to 'jury by band saw.' If I can't do something to save it, I'll make it into something else, even if it's BTUs for the woodstove," he says with a grin.

Sometimes, Don turns his design talent to tools or fixtures that make a woodworking operation simpler. As an example, he designed a shop-made thickness sander that appeared in *WOOD* (Oct. 1985, p. 48). A sliding fixture for doing cutoff work on the table saw was another. Don found that it worked well at home, so he introduced it to his workshop for the disabled as well.

The occasional client who gives Don some design freedom for a made-to-order piece gets a bargain. Don commits himself totally to the work, and the result shows it. Such commissions don't come along every day, but when they do, Don usually

selects the wood as well as the style.

This craftsman doesn't have a favorite wood. Instead, he's more intrigued by the figure and color in particular boards than by any specific species. And he usually chooses the durability of Watco Danish oil for a rubbed-on finish.

### BALANCING TWO CAREERS

Two woodworking shops, each totally different. Two challenges, completely dissimilar. Don Mostrom, the teacher. Don Mostrom, the sculptor-turned-woodworker. How does he balance his two worlds?

"I view my time at home, in the workshop behind the house, as a time to grow professionally by trying new techniques, new designs," Don says. "In my 'other' shop, I get just as involved with my students and their progress. It works out well." 🍀

Produced by Peter J. Stephano  
Photographs: Perry Struse, Jim Kascoutas

# MAKE YOUR OWN PRECISION SCROLL SAW

For about \$120 (not including the detachable jigsaw that supplies the power) you can assemble this ingenious scroll saw. The parallel-arm design gives you perfect cuts in even the most intricate patterns!

## LAMINATING AND FORMING THE FRAME PARTS

*The oak frame features open mortise and tenon joints. Oak dowels further lock the joints in position, giving the frame added strength.*

**1** Using  $\frac{3}{4}$ " oak stock, rip the frame pieces A through H to  $3\frac{1}{4}$ " wide. (Pieces are cut  $\frac{1}{4}$ " over width and trimmed to finished width after gluing.) Crosscut B, C, E, and H to finished length and A, D, F, and G to finished length plus 2".

**2** Glue and clamp B between the two A's, as shown in the drawing, *right*, with the top of B 14" from the top end of the two A's. You'll trim the A's to finished length later.

**3** Repeat the glue-up procedure for the bottom rail (C, D), sandwiching D between the two C pieces, as shown and dimensioned in the drawing, *right*. Using the same technique, glue up the two cross members (E, F) and the two front legs (G, H).

**4** Scrape the dried glue from the frame members. With the straightest edge of each against the table-saw fence, rip all the frame members to  $3\frac{3}{8}$ " wide. Move the fence, and rip the opposite edge of each to a 3" finished width. (You could also joint the first edge, rip the opposite edge  $\frac{1}{8}$ " oversize, and then joint the sawed edge to obtain the 3" finished width.)

**5** Mark both A's 3" from the bottom of B and  $13\frac{3}{8}$ " from the top of B,

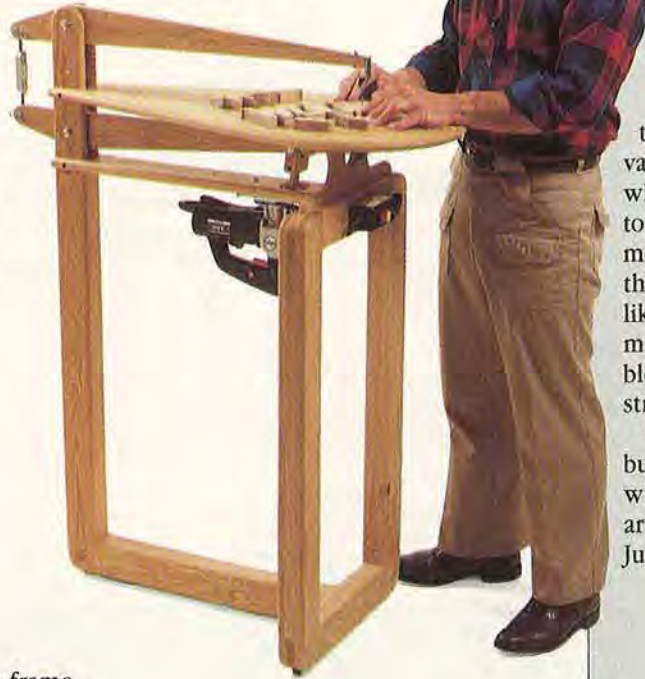
and crosscut the A's to finished length. Mark and cut a  $1\frac{1}{2}$ " radius on the top end of the rear leg (A, B).

**6** Mark the location of the two arm-mounting holes on the rear leg where dimensioned in the Side-View Drawing, *right*. With a drill press and a  $\frac{1}{2}$ " brad-point bit, drill the arm-mounting holes (using the drill press ensures that the holes are square with the face of A). Before drilling, insert a piece of  $\frac{3}{4}$ " scrap into the slot between the two A's and underneath it to prevent chip-out.

**7** Cut the bottom rail (C, D), cross members (E, F), and front legs (G, H) to finished length.

**8** Attach a dado blade to your table or radial-arm saw, and crosscut a  $\frac{3}{4}$ " dado  $\frac{3}{4}$ " deep in the center of the lower cross member where shown in the Exploded-View Drawing, *top right*. Now, cut a  $3\frac{3}{4}$ " dado  $\frac{3}{4}$ " deep across the top edge of the upper cross member.

**9** Glue and clamp the rear leg to the bottom rail. Glue and clamp both cross members to both front legs. Check both assemblies for square, loosen the clamps, and resquare if necessary.



## DESIGN NOTES

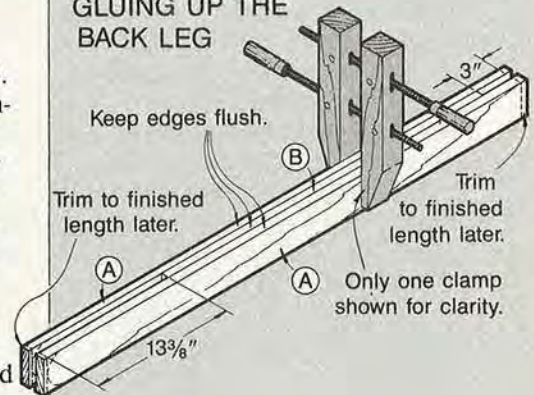
We fell in love with this idea the first time we laid eyes on it. Now that we've built and tested several prototypes, we're even more convinced that this project would be an excellent addition to any home shop.

Please note that cutting different thicknesses and types of wood varies the load on the saw. That's why we call for an electronic jigsaw to power this tool. Electronic models "sense" the load and keep the motor and speed constant, much like the cruise control function on many cars. The jigsaw must be capable of reducing the speed to 500 strokes per minute.

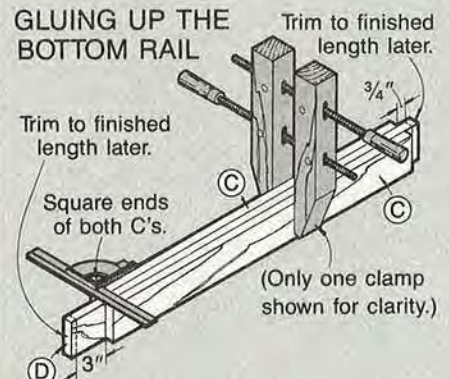
We used an AEG model BSPE60, but similar electronic models also will work (refer to the buymanship article and chart on jigsaws in the June, 1985 issue of *WOOD*, p. 32).

—James Downing  
Design Editor

## GLUING UP THE BACK LEG



## GLUING UP THE BOTTOM RAIL

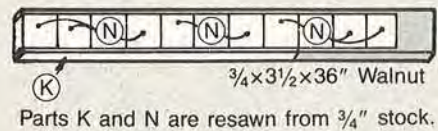
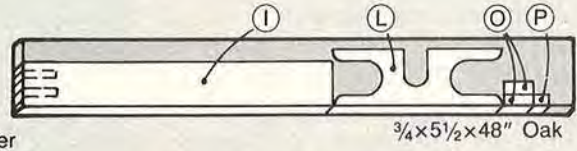
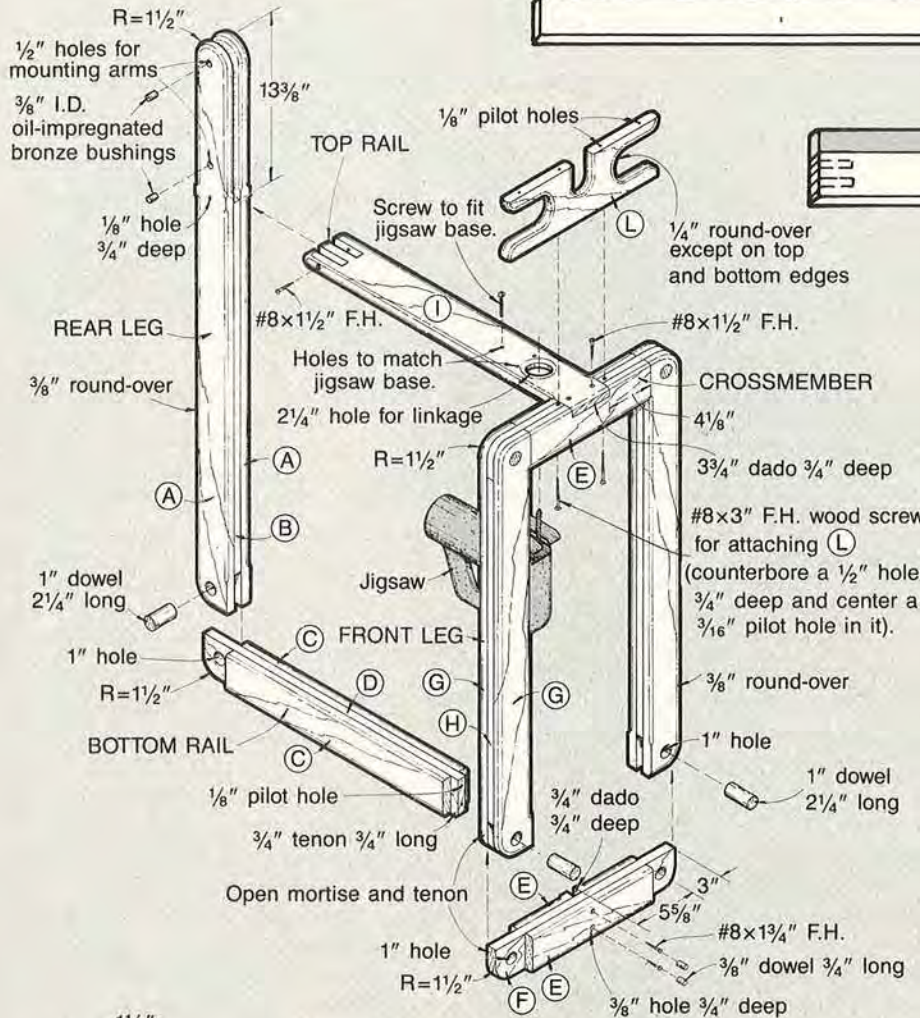




# CUTTING DIAGRAM

A—H 6 Pieces— $\frac{3}{4}$ " $\times$ 3 $\frac{1}{2}$ " $\times$ 96" Oak

J and M 4 Pieces— $\frac{3}{4}$ " $\times$ 3 $\frac{1}{2}$ " $\times$ 72" Oak



## Bill of Materials

Part	Finished Size*			Material	Qty.
	T	W	L		
A*	$\frac{3}{4}$ "	3"	48 $\frac{5}{8}$ "	oak	2
B*	$\frac{3}{4}$ "	3"	32 $\frac{1}{4}$ "	oak	1
C*	$\frac{3}{4}$ "	3"	21 $\frac{3}{4}$ "	oak	2
D*	$\frac{3}{4}$ "	3"	25 $\frac{1}{2}$ "	oak	1
E*	$\frac{3}{4}$ "	3"	12"	oak	4
F*	$\frac{3}{4}$ "	3"	18"	oak	2
G*	$\frac{3}{4}$ "	3"	36"	oak	4
H*	$\frac{3}{4}$ "	3"	30"	oak	2
I	$\frac{3}{4}$ "	3 $\frac{3}{4}$ "	27"	oak	1
J*	$\frac{3}{4}$ "	9"	35"	oak (laminated)	2
K*	$\frac{3}{4}$ "	$\frac{1}{8}$ "	23"	walnut	1
L	$\frac{3}{4}$ "	5"	15"	oak	1
M*	$\frac{1}{4}$ "	3"	32 $\frac{1}{2}$ "	oak	4
N*	$\frac{1}{4}$ "	3"	3"	walnut	22
O*	$\frac{3}{4}$ "	1"	2 $\frac{1}{2}$ "	oak	2
P*	$\frac{3}{4}$ "	1"	1 $\frac{1}{4}$ "	oak	1
Q	$\frac{3}{4}$ " diam.		3 $\frac{1}{4}$ "	dowel	1

\*Parts marked with an \* are cut larger initially, then trimmed to finished size. Please read the instructions before cutting.

**Supplies:** #6 $\times$ 1 $\frac{1}{4}$ " flathead wood screws, #8 $\times$ 1 $\frac{1}{4}$ " flathead wood screws, #8 $\times$ 1 $\frac{1}{2}$ " flathead wood screws, #8 $\times$ 3" flathead wood screws, roundhead machine screws with nuts/flat washers/lock washers for attaching jigsaw to part I (size depends upon the jigsaw you use),  $\frac{1}{2}$ " dowel,  $\frac{3}{8}$ " oak dowel, 1" oak dowel,  $\frac{3}{8}$ " $\times$ 9" drill rod,  $\frac{1}{8}$ " $\times$  $\frac{3}{4}$ " $\times$ 10" steel bar,  $\frac{3}{16}$ " $\times$ 1" machine screw with flat washer and self-locking nut, 6— $\frac{3}{8}$ " push caps, 2— $\frac{3}{8}$ " $\times$ 2" clevis pins with clips, 1—6 $\frac{3}{8}$ " turnbuckle eye with eye, 3—rubber feet, 1—1" radiator hose clamp, jigsaw blade with coarse teeth, 2" screw eye

Continued

# PRECISION SCROLL SAW

**10** Drill a 1" hole centered on each frame joint where indicated in the Front-View and Side-View Drawings on p. 33. Cut five 1" oak dowels 2 3/8" long and glue them into the holes you just drilled. When the glue dries, belt-sand the dowels flush. Mark a 1/2" radius on the five joint corners. Then, using a band saw, cut the corners to shape. Sand out any saw marks.

## ASSEMBLING THE FRAME

**1** Cut the top rail (I) to size. Then, with a band saw or jigsaw, cut two notches 3/4" wide and 3" long in one end of I where dimensioned in the Top-Rail Drawing. (We cut ours on the band saw, using the fence to keep the cuts straight.)

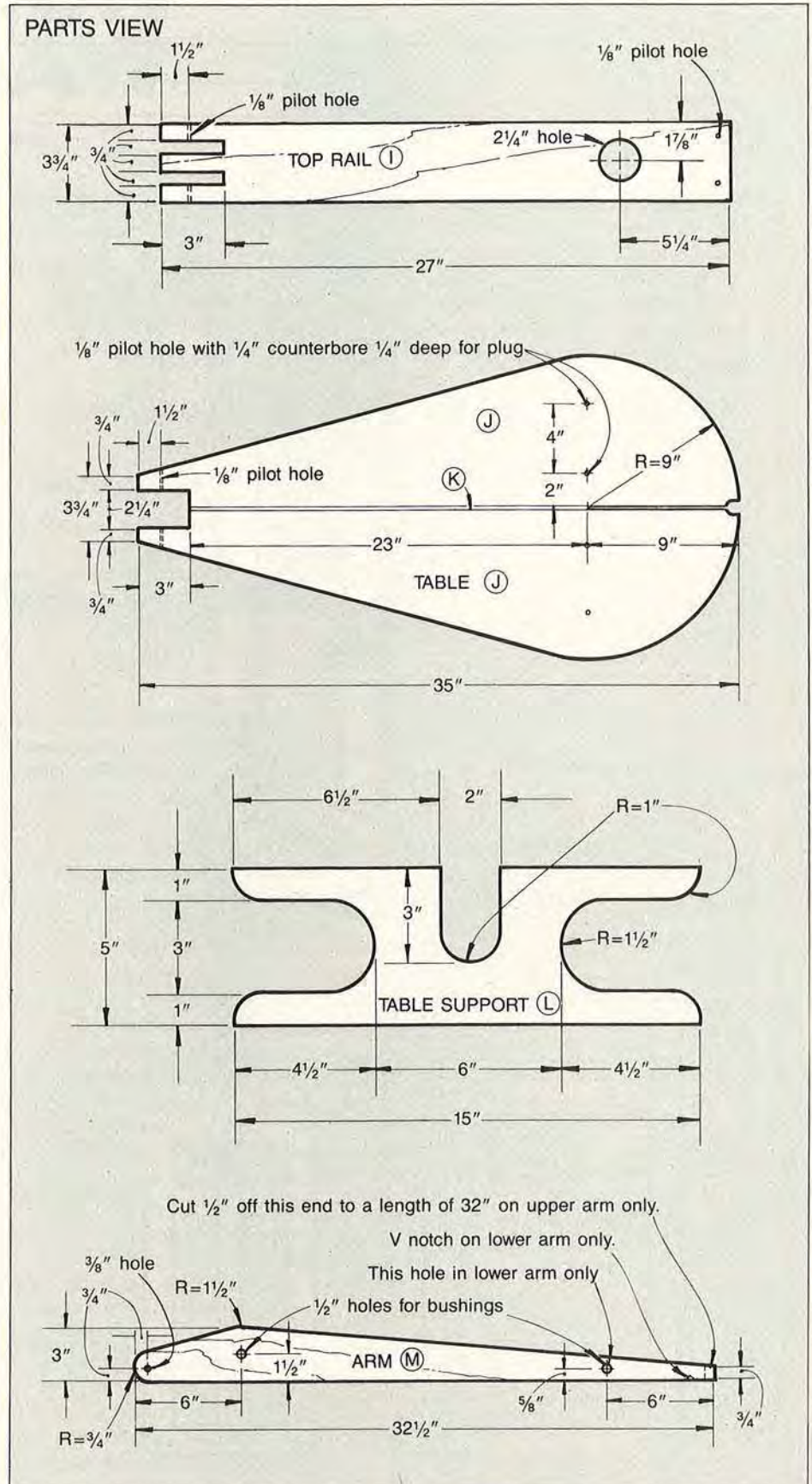
**2** Also, mark the location of the 2 1/4" hole on the top rail where shown in the Top-Rail Drawing, *right*. Using a hole saw, cut the hole (you could also drill a hole large enough for your blade and cut the hole to shape with a jigsaw). Now, position the jigsaw under the top rail and mark the location of the jigsaw-mounting holes. (The location and size of the jigsaw-mounting holes depends on the model of jigsaw you will use.) Drill the mounting holes through the top rail.

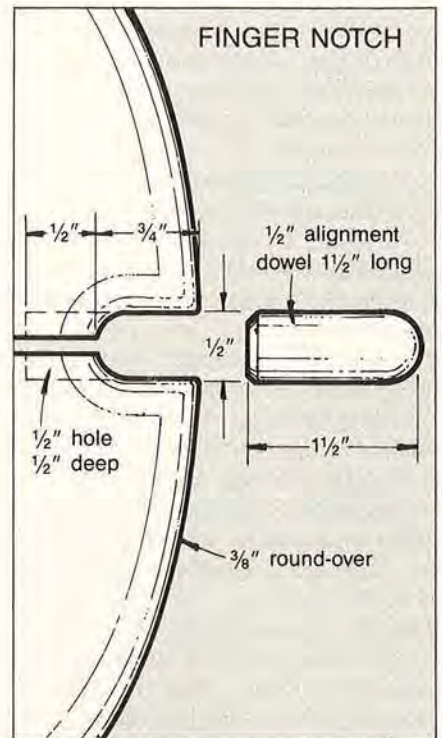
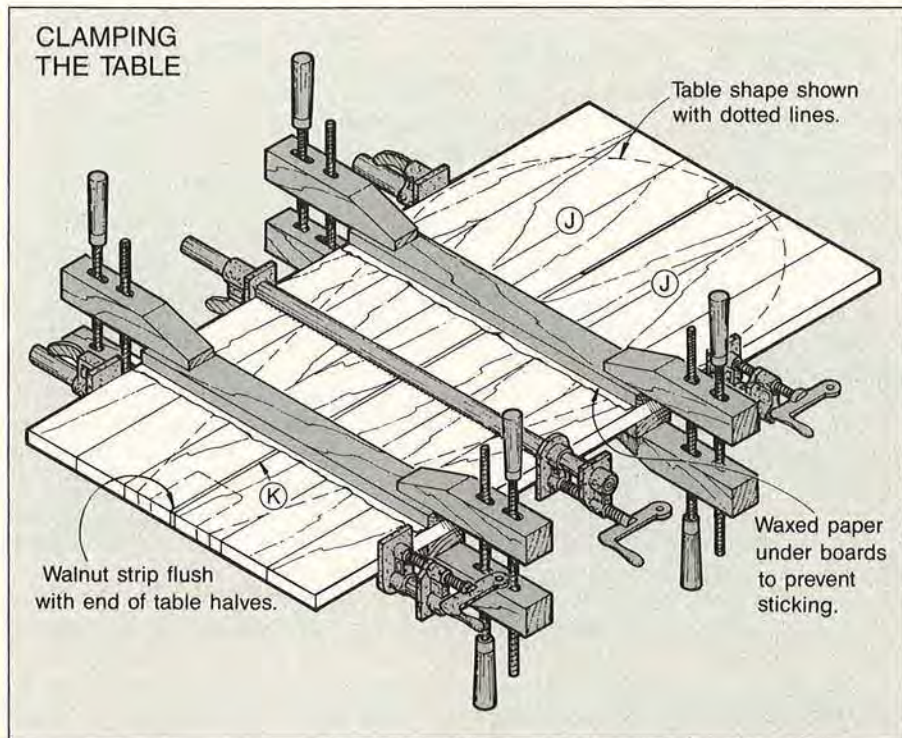
**3** Rout a 3/8" round-over along the sides of the top rail, except for the front 2 1/4" where it will fit in the dado in the top cross member. Rout the edges of the 2 1/4" hole.

**4** Dry-clamp the frame members together. Drill and countersink 1/8" pilot holes in the top rail and into the back leg where shown in the Parts-View Drawing, *top right*, and Exploded-View Drawing, p. 33.

**5** Drill two 3/8" holes 3/4" deep in the bottom cross member opposite the dado you cut earlier (see the Exploded-View Drawing). Then drill 1/8" pilot holes centered in the 3/4" holes you just drilled.

**6** Glue and clamp the entire frame assembly together, checking for square. Install #8 x 1 3/4" screws through the bottom cross member (E, F) into the bottom rail (D) where shown in the Exploded-View Drawing. Cut two 3/8" dowels 1 3/16" long,





and glue them in place over the screws. When the glue dries, belt-sand the dowels flush and all the joints smooth.

**7** Drive a #8×1½" screw through each side of the top rail into the back leg and through the top rail into the top cross member.

**8** Rout a ⅜" round-over on all edges of the leg assemblies except where noted on the Exploded-View Drawing. Sand a slight round-over on the inside edges of both A's.

### TIME FOR THE TABLE

**1** Rip six pieces of ¾" oak to ⅜" wide and crosscut to 36". Then glue and edge-join three pieces to form one table half (J); repeat for the other half. From ¾" walnut stock, rip and crosscut a strip ⅛"×26" long for the contrasting center strip (K).

**2** Glue and clamp the table halves and center strip together, with the center strip flush with one end of the two table halves. Clamp strips of scrap hardwood stock across the table assembly to keep it flat (see the drawing, above).

**3** Lay out and mark the shape of the table and the location of the mounting holes where shown in the Parts-View Drawing of the table. Cut

slightly outside the table outline with a jigsaw or band saw, then sand to the line for the finished shape. Cut the alignment notch to shape in the front end of the table where shown in the Finger Notch Drawing, above right. When fitted with the dowel later, the dowel will keep the surfaces of the table halves flush over the years.

**4** Rout a round-over or bead along the edges of the table. Do not rout the notch where the table meets the rear leg.

**5** Align and fasten a doweling jig to the front end of the table at the finger notch. Drill a ½" hole ½" deep in the alignment notch. Cut a ½" dowel to 1¼" long and insert it in the hole.

**6** Use a drill press with a ¼" bit to counterbore the mounting screw holes ¼" deep where previously marked on the table. Drill ⅛" pilot holes centered in the ¼" holes you just drilled.

**7** Using the Parts-View Drawing as a guide, lay out and cut the table support (L) to shape. Rout all but the top and bottom edges of the table support using a ¼" round-over bit. Screw the table to the support, and glue ¼" plugs ⅝" long over the

screws. When the glue dries, sand the dowels flush, then dry-clamp the table assembly to the frame. (You'll attach the table permanently after the arms are fitted.)

### CONSTRUCTING THE ARM ASSEMBLIES

*Note: You'll need ¼" oak and walnut to construct the arms. You can resaw your own or special order it. We have listed one source in the Buying Guide. To make the arms as strong as possible, the middle walnut strip of each arm is made up of several walnut pieces. The grain of the walnut pieces runs perpendicular to the grain of the oak pieces. For added strength to the arms, we used a slow-set epoxy to laminate the walnut pieces between the oak pieces.*

**1** From ¼" stock, rip and crosscut the oak arm members (M) to size plus ½" in width and length. Cut the walnut pieces (N) to size plus ½" in length. Epoxy and clamp the walnut pieces between two oak pieces sandwich fashion, making sure that the end walnut piece is at least 1⅝" in from the ends of the oak pieces to form a 1½"-long open mortise.

*Continued*

# PRECISION SCROLL SAW

Repeat this process for the other arm. (If the oak pieces are slightly warped, laminate them so that they bow in opposite directions to avoid further warping.)

**2** Measure and mark the shape of both arms and the location of the holes where indicated in the Parts-View Drawing of M. Cut the arms to shape on a band saw, then sand the edges smooth.

**3** Label one arm "upper" and cross-cut  $\frac{1}{2}$ " from the front end. Cut a  $\frac{1}{2}$ "-long rabbet  $\frac{1}{8}$ " deep in the front end of the upper arm where shown in the Arm-Assembly Drawing to house the blade holder. (We used a table saw and miter gauge and made several passes to cut the  $\frac{1}{8}$ "-deep rabbet.)

**4** With a  $\frac{1}{2}$ " brad-point bit mounted in your drill press, drill two bushing holes in the lower arm and one in the upper arm where previously marked. Switch to a  $\frac{3}{8}$ " brad-point bit, and drill a clevis-pin hole in each arm.

**5** With a fine-toothed handsaw, cut a thin kerf 1" long in the front end of the lower arm to accommodate the scroll-saw blade.

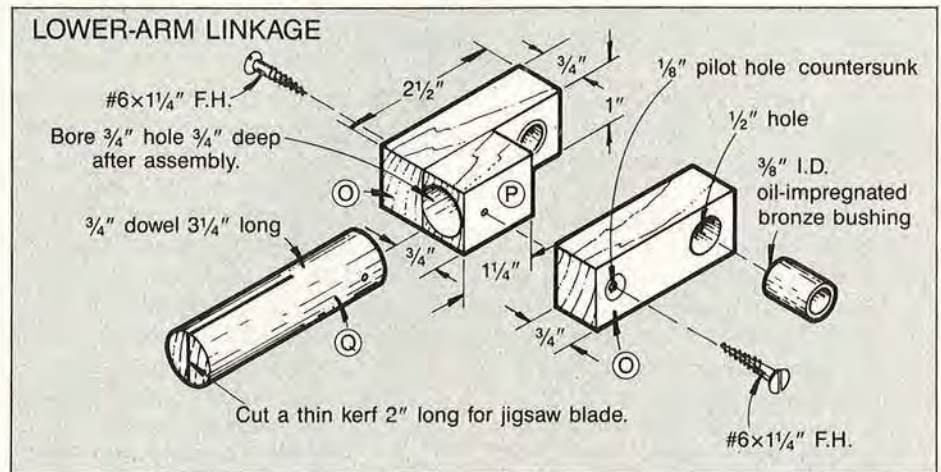
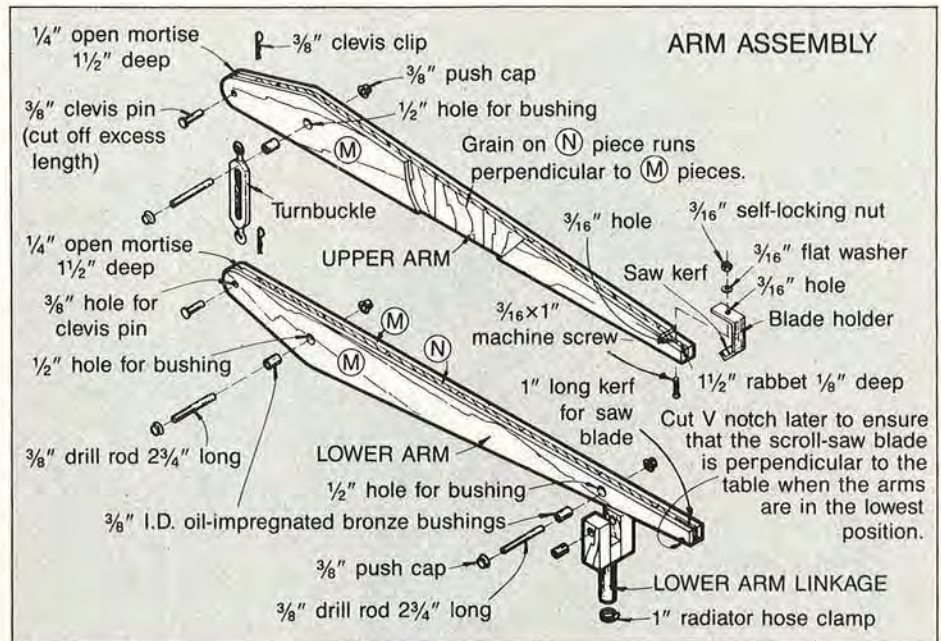
**6** Following the sequences in the drawing, *below right*, bend, cut, and drill the holder from a 10" length of  $\frac{1}{8} \times \frac{3}{4}$ " steel bar. Clamp the blade holder in place on the upper arm, and drill a  $\frac{3}{16}$ " hole through the holder and arm where shown in the Arm-Assembly Drawing. Bolt the blade holder to the arm with a  $\frac{3}{16} \times 1$ " machine screw.

## MAKING THE LINKAGE

**1** Rip a piece of  $\frac{3}{4}$ " oak to 1", and crosscut it to 12". Cut the lower-arm linkage parts (O, P) to length from the 12" piece.

**2** Glue the parts (O, P) together where shown in the Lower-Arm Linkage Drawing. Clamp the parts in a small handscrew, and drill a  $\frac{3}{4}$ " hole  $\frac{3}{4}$ " deep, centered in the end of P.

**3** Reposition the assembly in the handscrew, and drill the  $\frac{1}{2}$ " bushing holes through both O's with a brad-point bit. (We placed a  $\frac{3}{4}$ " piece of scrap between the two O's to prevent chip-out. Drilling completely



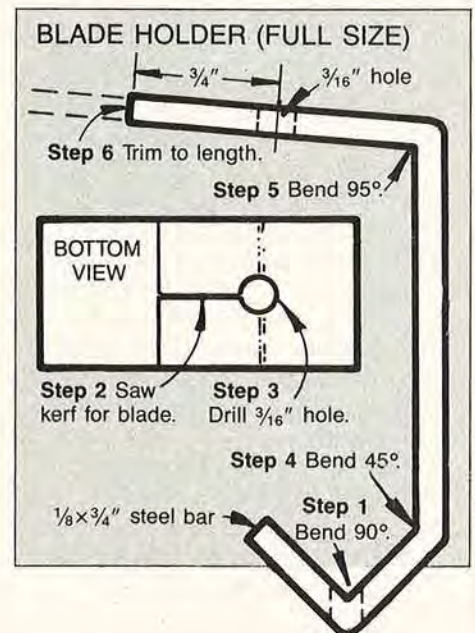
through both pieces at one time ensures that the holes will line up.)

**4** Cut Q to  $\frac{3}{4}$ " from  $\frac{3}{4}$ " dowel stock. Glue Q into the  $\frac{3}{4}$ " hole in P where shown in the Lower Arm Linkage Drawing. Drill the pilot holes, and install the screws.

**5** Cut a thin kerf 2" long in the end of Q. (We laid the linkage assembly [O, P] flat on the band saw table, and then cut the kerf.)

## FINAL ASSEMBLY AND SETUP

**1** Carefully press-fit the  $\frac{3}{8}$ " bronze bushings (see the Buying Guide for purchasing details) into the  $\frac{1}{2}$ " holes in the rear leg, both arms, and the lower-arm linkage. (We gently pushed the bushings in as far as we



could by hand. Then, we placed a scrap of wood on the protruding end of each bushing and lightly tapped it in the rest of the way with a mallet. Do *not* strike the bushing directly because you could easily bend it out of shape.)

**2** Cut the drill rod and clevis pins to the lengths given in the Arm-Assembly Drawing. (We used drill rod because it is made to higher tolerances than ordinary steel rod and causes less wear on the bushings.) Grind or file the cut ends of each rod smooth.

**3** Assemble the scroll saw, inserting the  $\frac{3}{8}$ " drill rods, turnbuckle, and clevis pins where shown in the Arm-Assembly Drawing. Attach the linkage to the lower arm. Position the table assembly (J, K) on the base. Do *not* install the push caps yet.

**4** Bolt an electronic jigsaw to the bottom of the top rail so that the blade mounted in the jigsaw will fit straight into the kerf in linkage dowel Q.

**5** Slip a 1" radiator-hose clamp onto the linkage dowel. Extend the jigsaw blade to its maximum and insert the blade into the saw kerf in Q. Adjust the linkage on the jigsaw blade so that the lower arm clears the bottom of the table bottom by at least  $\frac{1}{8}$ ". Drop the hose clamp to the bottom of the dowel and tighten the clamp to hold the jigsaw blade firmly in the kerf in the dowel.

**6** Fasten a blade clamp to each end of a scroll-saw blade with a metric blade-clamp wrench (see the Buying Guide for ordering details for both the blade clamps and the wrench). (To mount the blade in the blade clamps without bending, we first finger-tightened the blade into the clamps. Then, we mounted the blade-clamps assembly in a wood-worker's vise and finished tightening the blade-clamp screws with the metric-clamp wrench.)

**7** Move the arms to the full "down" position, and fit the upper blade clamp into the blade holder on the upper arm. Slide the lower blade clamp into the kerf in the lower arm until the scroll-saw blade is perfectly square with the table. Mark the loca-

tion of the lower blade clamp V notch. The location of the notch is critical to keep the blade square with the table. Disassemble and remove the lower arm. Finally, cut a V-shaped notch  $\frac{3}{16}$ " deep on the bottom side of the lower arm to house the lower blade clamp.

**8** Reattach the lower arm to the scroll-saw assembly.

**9** Slip the lower blade clamp and the scroll-saw blade (with the teeth pointing down) through the kerf and into the V notch in the lower arm. Position the upper blade clamp into the kerf in the blade holder fastened to the upper arm.

**10** Apply tension to the blade by turning the turnbuckle at the rear of the arm assembly. You'll want to tighten the blade until it "twangs" when plucked. Beware of overtightening the blade via the turnbuckle and placing undue stress on the arm assemblies. Go easy.

**11** Adjust the position of the table assembly (I, J, K) so that the scroll-saw blade is centered in the groove between the table halves. Now, screw the table assembly to the frame's top cross member and secure the table to the rear leg with #8x $1\frac{1}{2}$ " screws (see the Exploded-View Drawing).

**12** With the jigsaw set at its slowest speed, briefly switch it on to ensure that everything runs smoothly. If the bottom arm strikes the bottom of the table, loosen the hose clamp and slide the jigsaw blade deeper into the kerf in Q, then retighten the clamp and retest.

**13** Disassemble the arms and linkage. Mask the bushings with tape to protect them from the finish. Finish-sand the entire scroll saw, then apply several coats of polyurethane, rubbing with steel wool between coats.

**14** Reassemble the saw and attach the push caps on the ends of the drill rods. Attach the power switch and the rubber feet to the scroll saw where shown in the Front-View Drawing. Remount the jigsaw onto the bottom of the top rail, and plug it into the power switch. Attach a 2" screw eye to the bottom of the top rail, and loop the excess jigsaw

cord through it. Drill a  $\frac{1}{8}$ " hole in the frame to house the blade-clamp wrench. Plug the cord from the power switch into an outlet.

## USING THE SCROLL SAW

To get used to the saw, set the jigsaw at its slowest setting. As a general rule, cut thin stock at slower settings and thick stock at faster settings.

Do not exceed half the maximum speed of the jigsaw. Experiment with different speeds and thicknesses of woods to find out what works best for you. You will need to hold the workpiece firmly on the table when cutting—there's a slight tendency for the work to jump up and down with the blade. (See the December, 1985 issue of *WOOD*, p. 54, for more information on scroll saws and how they work.)

## BUYING GUIDE

● **Jigsaw.** We used an AEG electronic, 300-3200 SPM model. Catalog no. AEBSPE60, \$127.95. Trendlines, 375 Beacham St., Chelsea, MA 02150 (800/343-3248).

● **Precut bronze bushings.** 9— $\frac{3}{8}$ " (inside diameter) x  $\frac{1}{2}$ " (outside diameter) x  $\frac{3}{4}$ " length. Oil-impregnated. Stock no. P38-6, \$1.67 each. Standard Bearings, P.O. Box 823, Des Moines, IA 50304 (515/265-5261).

● **Blade clamps.** 0.7-mm slot blade clamps, \$10/pair. 3-mm wrench for blade clamps screw, 75 cents. Pebeco saw blades, #1 thru #9, \$4/dozen. AMI Ltd., P.O. Box 312, Newcastle, DE 19720 (302/322-2226).

● **Power-tool switch.** Pull on/push off, stock no. #9HT13632. \$24.99 from Sears. Call your local Sears store.

● **Thin stock.**  $\frac{1}{4}$ " red oak stock,  $5\frac{1}{2}$  x 36" strip, stock no. W4057, \$7.95.  $\frac{1}{4}$ " walnut stock,  $5\frac{1}{2}$  x 36" strip, stock no. W4657, \$9.66. Craftsman Wood Service Company, 1735 W. Cortland Ct., Addison, IL 60101 (312/629-3100). ♣

Produced by Marlen Kemmet  
Project Design: Randall Foshee  
Photographs: Jim Kascoutas  
Illustrations: Randall Foshee; Bill Zaun

# FABULOUS FINISHES

## TOP CARVERS' PROVEN TECHNIQUES

Basswood, pine, and tupelo—they're all great carving woods that take the finest detail. But when it comes to fancy figure or appealing hue, these woods rate as plain-Jane. That's why knowing carvers master coloring and finishing techniques that are tailored to their carving style and the lackluster wood.

**T**o a woodcarver, the most important reason for applying a finish is to highlight the details lovingly cut into the wood. Here, you'll find out how three top carvers finish their work. Each uses a finishing method mated to his carving technique—read on and adapt their ideas in your own workshop.

 [Print this article](#)



# Del Smith

Realism with solid color

In his Otis, Oregon, workshop, Del Smith, *left*, has crafted full-sized decorative wildfowl since he took an early retirement 12 years ago. His work, featured up and down the West Coast, sells for \$300 to \$5,000, and the demand keeps Del busy. In his carvings, Del opts for basswood because it carves easily and because it soaks up paint better than the pine he once carved in. For the opaque, solid color that imitates plumage on his subjects, Del chooses acrylics purchased at art supply stores.

Del obtains rich, often bright, natural shades. Yet his painting

retains a soft, featherlike appearance that doesn't build up in thickness and obscure the detail he has carved in. To get that, Del developed a special "wet-on-wet" painting technique that allows him to blend colors right on the carving without artificially distinct and unnatural lines.

Unlike oils, which take a long time to set up, acrylics dry quickly, making them difficult to blend unless they are thinned. "I thin the paint way down with water until it becomes a weak, lightly colored wash. 'Wet-on-wet' means I put another coat of color down before

the previous one dries. How many coats I put on depends on the color, the detail underneath, and the grain of the wood," Del tells us. "On end grain, which absorbs and holds color, I might only have to use four coats. On other areas there may be eight to 12 in order to achieve the same overall color."

Del prefers painting on unprimed, unsealed wood because it draws in the paint for a more subdued effect. Sealed wood (coated with a sanding sealer, for instance) gives paint a brighter tone, which in his work, translates to unnatural.

"I paint with only a few different sizes of round, sable-hair brushes—a no. 6, no. 4, and a no. 2 for details, which I dry-brush on. That means paint straight out of the tube, no water. For large, same-color wash areas, I turn to a 1/2" flat brush," Del adds. "And, I keep a blow-dryer handy to speed up the drying process."

Because Del's painted wildfowl carvings aren't meant to be handled, he doesn't worry about a final protective coat.

*Continued*



*Left.* For wildfowl carvings such as this lesser yellow-legged sandpiper, Del paints on layers of thinned acrylics. This technique gives his birds a natural look without covering carved-in detail.

## Harley and Norma Refsal

Muted colors enhance a rugged carving style

In Harley Refsal's experienced hands, basswood becomes rural immigrant figures and caricatures of folks engaged in outdoor sports or hobbies (see "Scandinavian-Style Figure Carving," *WOOD*, April 1985, p. 70). The distinctive carvings prove popular at ethnic festivals and art shows throughout the Midwest.

Harley, who's a full-time college instructor and adviser, wants his carvings painted—but just enough so that the wood grain remains evident. Muted colors couple with his flat cuts to emphasize rugged origins.

"We use acrylics because, when thinned, they perform as softly colored stain. And, you can paint the piece in one sitting," Harley says.

Norma, Harley's wife, does most of the actual painting, and brushes the thinned colors directly on the unsanded wood. "I mainly use the primary colors or earth tones: cadmium red, yellow ocher, forest green, and brown umber," Norma comments. "Good synthetic brushes work exceptionally well. I like to paint with  $\frac{1}{4}$ "- and  $\frac{1}{8}$ "-wide, flat chisel brushes. The squared edges make it easy to bring one color right up against another. I do use a no. 000 pointed brush for details, and an old, beat-up one just to dry-brush extra color on a nose, for instance."

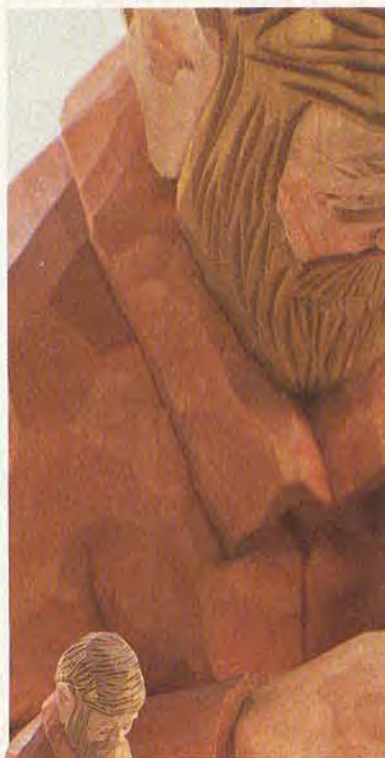
After the paint has thoroughly dried, Norma puts on a special oil finish just right for Harley's figures. "We use boiled linseed oil with a little umber oil paint added to produce a warm, antique look on the carving," she says. On Harley's "Wooden Bird Carver," *right*, you can see how the slightly darkened oil deepens detail and makes a "shadow."

***Inset.*** With its sharp, angular lines, this carving by Harley Refsal needs only the hint of color. Thinned acrylics, followed by darkened oil, do the trick.



***Above.*** Norma does most of the figure painting in the Refsal shop.

***Below.*** End grain absorbs color, as on this figure's shoulder. But Harley considers it an accent technique. Note how the grain shows through the thinned paint.





## Phil Odden

### Dramatizing natural grain

Relief carving on plaques and furniture features intricate undercuts, flowing lines, and patterns. The carving goes both with and against the grain. Wood-colored stains enhance these crafted-in details as they darken end-grain areas and settle in deep cuts.

Phil Odden and Else Bigton, furniture-makers and carvers from Barronett, Wisconsin, choose stains to intensify their Scandinavian-style acanthus carving. The intertwining plant motifs of the acanthus style



*Above.* Hewn from the trunk of a basswood tree, this *kubbestol* was carved in high relief by Phil Odden. He and Else Bigton use water-base stains and dyes to give the wood warmth.



such as the *kubbestol* (log chair) shown at left, reaches the finishing stage, they first “paint” the non-carved, sanded areas by flooding them with cold water. This technique is often used by other woodworkers in finishing to raise the tiny, hair-like wood fibers. Then, resanding smooths the surface.

“For staining, we like to use products that don’t give off noxious fumes, such as aniline dyes made from organic compounds and commercial water-base stains,” says Phil. “Of course, you can mix anilines with alcohol or turpentine, but we mix with water.” Aniline dyes, long used in Europe for staining, now can be ordered here from major mail-order woodworking suppliers.

Phil has another equally important

*Top.* Now Wisconsin-based, Phil learned to carve in Norway.

*Below.* For highlights, some of the stain in flat areas is sanded off. Oil protects the work.

decorate the furniture they make of basswood, pine, and occasionally birch.

When one of their pieces,

reason for using water-mixed dyes and stains, however: They perform better on basswood, pine, and birch. “On uncarved areas, the wood fibers seem to wander in direction and take the stain differently. With water-mixed dyes and stains, we can blend these differences more easily.”

When applying coloring stain, Phil works from the bottom of the piece to the top with a sponge. “The entire piece must be evenly coated, with no overlapping or there will be dark streaks,” he says.

After the stain has dried, Phil goes over high spots in the carving with 240- to 320-grit sandpaper. “This creates an additional color contrast with the depth of the carvings,” notes Phil. “Because water-mixed stains and dyes don’t penetrate wood as deeply as oil-base products, we can sand some off.”

At their shop, Phil and Else prefer using penetrating oil finishes. Oil gives their furniture a soft-looking, low-luster finish, but one that stands up to abuse. When it dries, oil actually hardens in the outer wood so that it can be knocked and banged. Spots can be touched up without complete refinishing.

### Final finishing pointers

Always keep in mind that an improperly applied or unwisely chosen finish could ruin a nicely carved piece. Here are some tips:

- Experiment with a finish on scrap-wood first.
- Keep fine brushes in shape (literally) by cleaning them thoroughly after use, then dipping them in soapy water. Form pointed tips with your fingers and as the soap dries they’ll retain the shape. (Be sure to rinse soap out before use.)
- Don’t overfinish. Solid colors build up and can obscure detail. 🍂

Photographs: Ron Cooper, Jim Kascoutas, Chip Peterson, Del Smith, Peter J. Stephano  
Produced by: Peter J. Stephano; Harley J. Refsal



# No Job Too Small!

# TUFF-STUFF TOW TRUCK

Need a lift? Then delight a special youngster with this toddler-sized tow truck. It maneuvers playroom byways with ease and takes lots of abuse, just like the big ones. (We know because 2½-year-old Justin road-tested ours right here in the *WOOD Shop*.) Best of all, each tow truck comes with a full, 5-year, 5,000-smile warranty.

*Note: If your tow truck will be used outdoors, we recommend a slow-set epoxy adhesive. Otherwise, use woodworker's glue. Either way, be sure to epoxy the steering wheel to the steering dowel.*

## BUILDING THE CHASSIS

**1** Lay out and cut the chassis base (A) and boom support (B) to shape using the Parts-View Drawing of each as a guide. Cut the notch in B with a band saw or jigsaw. (Do *not* drill the ¾" holes in A or B yet.)

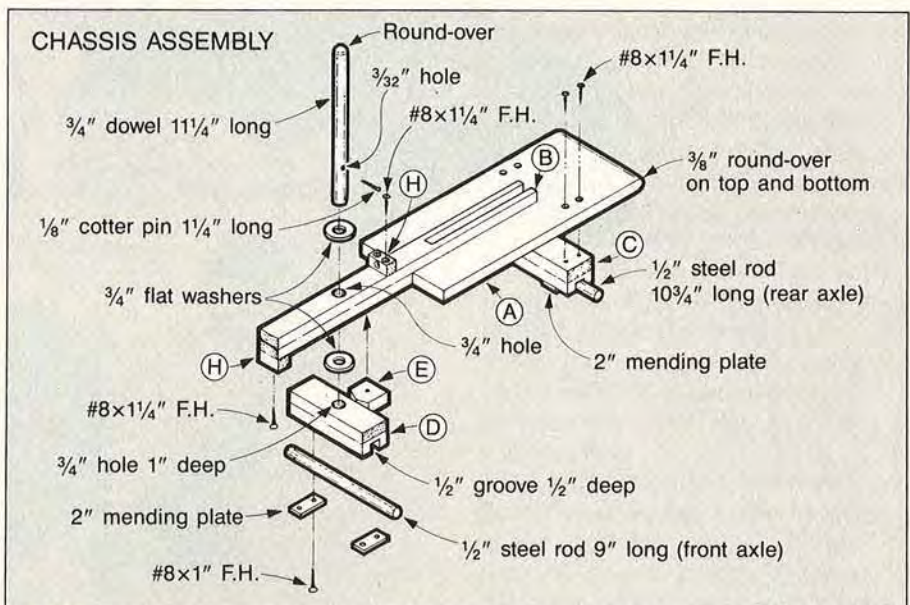
**2** Rout a ⅜" round-over on the top and bottom edges of the tail end of the chassis where shown in the Chassis-Assembly Drawing, *below*. Glue and clamp B onto A, keeping the front ends flush.

**3** To make the axle housings (C, D), rip a 30"-long piece of ¾" oak to 2". Then, crosscut the board in half,

leaving two boards just under 15" long. Cut or rout a ½" groove ½" deep, centered down the length of one face of one of the boards. Now, cut one C and one D from each 15" board to the lengths listed in the Bill of Materials.

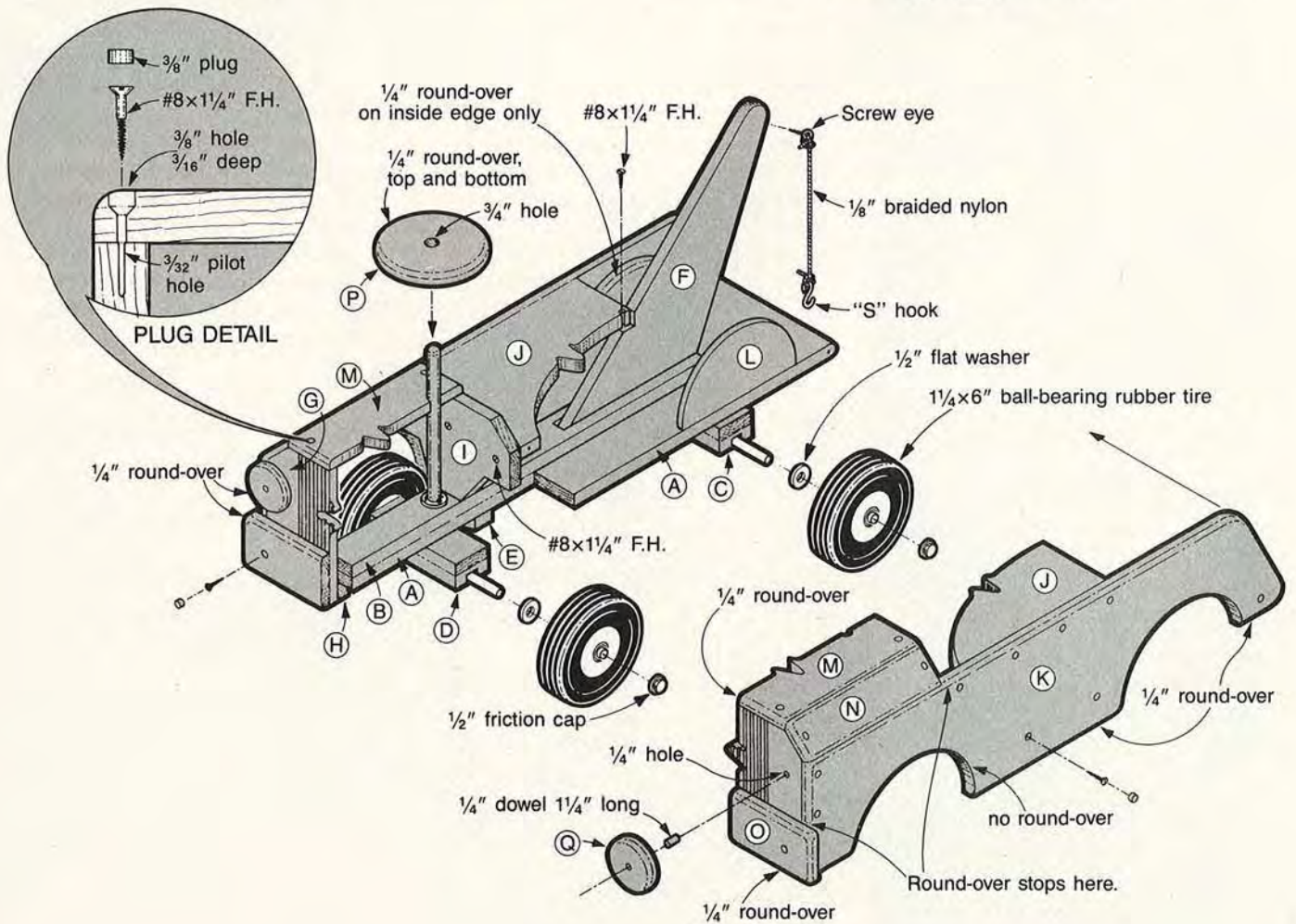
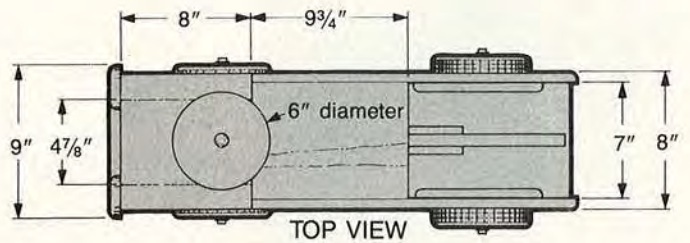
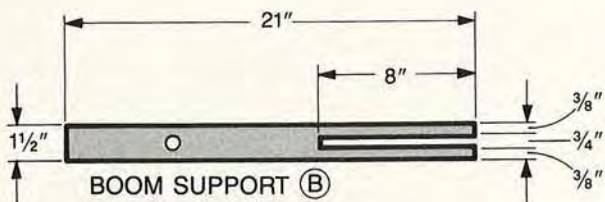
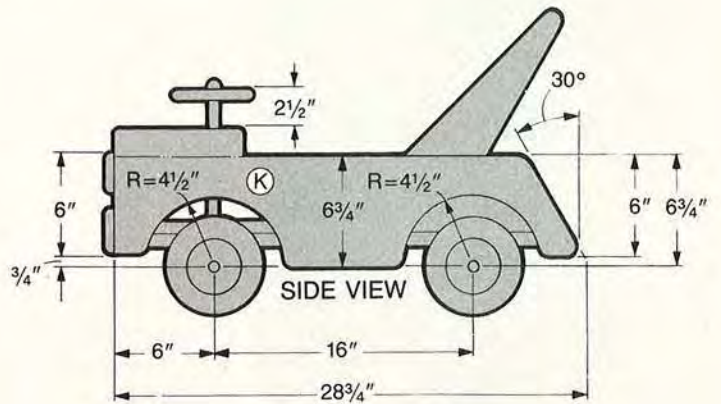
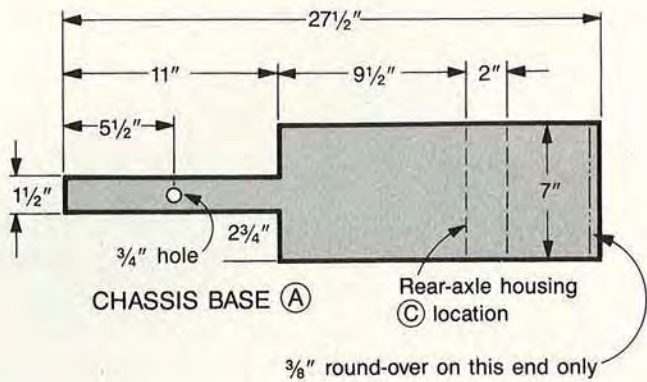
**4** Glue and clamp the two C's together and the two D's together, with the grooves facing out and the edges flush.

**5** Measure and mark the location of the rear-axle housing (C) on the bottom of the chassis base (A) where dimensioned in the Parts-View Draw-

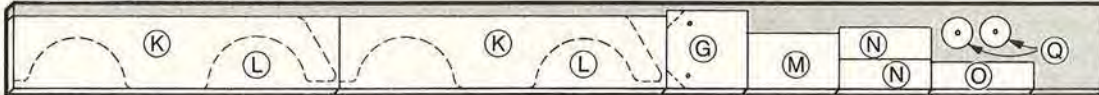


*Continued*

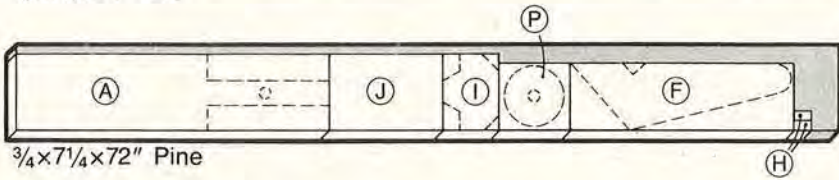
# TUFF-STUFF TOW TRUCK



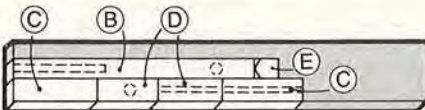
## CUTTING DIAGRAM



1/2 x 7 1/4 x 96" Pine



3/4 x 7 1/4 x 72" Pine

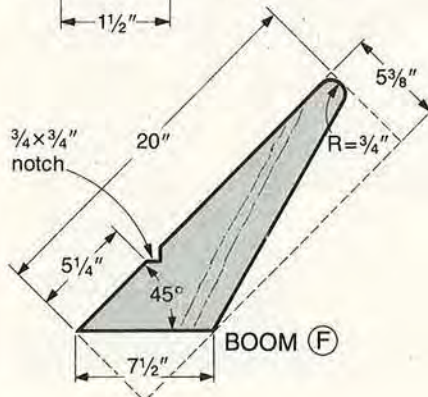
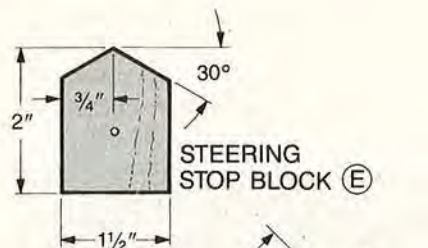
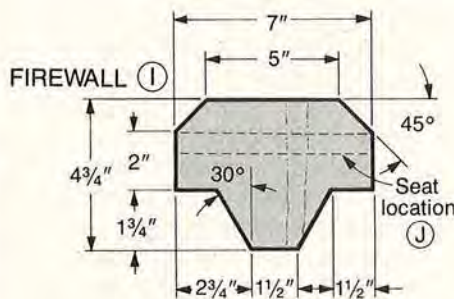
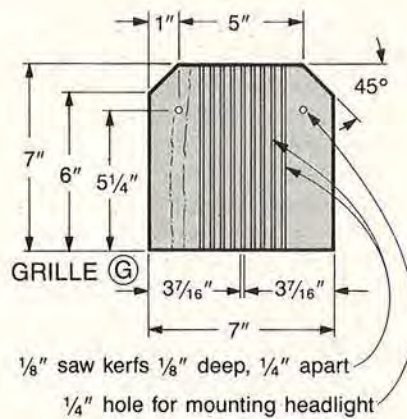


3/4 x 5 1/2 x 36" Oak

Bill of Materials					
Part	Finished Size*			Material	Qty.
	T	W	L		
A	3/4"	7"	27 1/2"	pine	1
B	3/4"	1 1/2"	21"	oak	1
C*	1 1/2"	2"	7 1/4"	oak (laminated)	1
D*	1 1/2"	2"	5 1/2"	oak (laminated)	1
E	3/4"	1 1/2"	2"	oak	1
F	3/4"	5 3/8"	20"	pine	1
G	1/2"	7"	7"	pine	1
H	3/4"	3/4"	1 1/2"	pine	2
I	3/4"	7"	4 3/4"	pine	1
J	3/4"	7"	9 3/4"	pine	1
K	1/2"	6 3/4"	28 3/4"	pine	2
L	1/2"	4 1/2"	9"	pine	2
M	1/2"	4 7/8"	8"	pine	1
N	1/2"	2 1/4"	8"	pine	2
O	1/2"	2 1/2"	9"	pine	1
P	3/4"	6" diam.		pine	1
Q	1/2"	2 1/2" diam.		pine	2

\*Parts marked with a \* are cut larger initially, then trimmed to finished size. Please read the instructions before cutting.

**Supplies:** #8 x 1" flathead wood screws, #8 x 1 1/4" flathead wood screws, #8 x 2" flathead wood screws, 3/4" dowel stock (oak or birch), 2 - 3/4" flat washers, 4 - 2" mending plates with predrilled holes and screws (Stanley catalog no. CD995-R-2"), 1/8" cotter pin 1 1/4" long, 4 - 1/2" flat washers, 4 - 1/2" friction caps, 4 - 1 1/4 x 6" ball-bearing rubber tires, 1/2 x 20" steel rod (for axles), 1/8" braided nylon (for tow rope), 1" S hook, 1 - small (#10) screw eye, paraffin, wood putty, sanding sealer, oil-based exterior enamel paint—flat black and gloss yellow



ing of A, *opposite page*. Clamp the housing to the base (the housing should protrude 1/8" beyond each side of the base). Drill pilot holes through the base and into the housing, remove the clamps, and glue and screw C to the bottom of A.

**6** Draw diagonal lines on the top of the front axle housing (D) to locate its center. Bore a 3/4" hole 1" deep at the marked center point in the top of D for the steering dowel. Using the Parts-View Drawings of A and B as a guide, mark the location of the steering dowel hole, and bore a 3/4" hole through the A-B assembly.

**7** Cut the 3/4" hardwood steering dowel to length (11 1/4"). Then, hand-sand a round-over on one end of the dowel to simulate a horn button.

**8** Epoxy the steering dowel into the front-axle housing (D), making sure that it's perpendicular to the housing. Rub paraffin on the bottom 2" of steering dowel and in the 3/4" hole in the A-B assembly (the paraffin makes turning easier).

**9** With a hacksaw, cut the front and rear axles to length from 1/2" steel rod, where dimensioned in the Chassis-Assembly Drawing.

**10** Attach a friction cap to one end of each axle. Now, slide a ball-bearing tire, two 1/2" flat washers, another tire, and the other friction cap onto each axle. Position each axle assembly in its housing with a washer and wheel at each end. Drill pilot holes and screw two mending plates to the bottom of each housing to secure the axle assemblies. With the truck carcass on its side, use a mallet to drive the friction caps tighter onto the ends of the axles. This eliminates excessive play between the rubber tires and the axle housings.

**11** Referring to the appropriate Parts-View Drawing, mark the shape of the steering-stop block (E) on a piece of 3/4" oak, and the shape of the boom (F) on a piece of 3/4" pine.

*Continued*

# TUFF-STUFF TOW TRUCK

For maximum strength, lay out the boom with the grain running the length of the piece where shown in the Cutting Diagram, p. 45. Cut both pieces to shape (don't forget to cut the notch in the boom).

**12** Insert the steering assembly through the hole in the A-B assembly, placing  $\frac{3}{4}$ " flat washers above and below the housing. Glue and screw the steering stop block (E) to the bottom of the chassis base as shown in photo A, *bottom right*.

(We positioned the stop block  $\frac{1}{4}$ " away from the back edge of the front steering housing.)

**13** Flip the chassis upright. Then, clamp a handscrew to the front tire to keep the chassis from rolling around. Drill a  $\frac{3}{32}$ " hole above the top washer to accept a cotter pin as shown in photo B, *far right*.

**14** Glue the boom (F) in the notch in the chassis assembly.

## FASTENING THE GRILLE AND FIREWALL TO THE CHASSIS

**1** Using the Parts-View Drawing of the grille (G) as a guide, lay out and cut the grille to shape. Cut  $\frac{1}{8}$ "-wide kerfs  $\frac{1}{8}$ " deep in the grille front to simulate a real grille. (Using a table saw and the rip fence, we cut the middle kerf first. Then, we moved the fence  $\frac{1}{4}$ " away from the blade and cut a kerf on each side of the first, and so on.) Drill two  $\frac{1}{4}$ " holes where located on the drawing for the headlights that you will mount later.

**2** Cut two cleats (H) to size. Drill a pilot hole through one, and screw it to the bottom of A, flush with the front. You will use the other cleat later to install the firewall (I). Now, glue and clamp the grille (G) to the front of the chassis, flush and square with the bottom of the cleat.

**3** Use the Parts-View Drawing of the firewall (I) to mark and cut its shape on a piece of  $\frac{3}{4}$ " pine. Mark the position where the seat will be mounted against the firewall later, as dimensioned in the drawing. Position the firewall directly behind the grille, and check that the top profiles of both are the same. Sand as necessary to match the profiles.

**4** Drill a pilot hole in the remaining cleat (H), and glue and screw it to the backside of the firewall (I). Glue and screw the firewall and cleat to the chassis assembly. (Before mounting the firewall, we used a straight piece of wood to check that the side edges of the grille, firewall, and sides of the chassis all lined up for flush-mounting of the side panels later.)

## ADDING THE SEAT, SIDE PANELS, SPLASH GUARDS, AND HOOD

*Note: For a satin-smooth paint job, we used  $\frac{3}{8}$ " wood plugs over all exposed screws. See the Plug Detail on the Exploded-View Drawing for drilling dimensions.*

**1** Cut the seat (J) to size as dimensioned in the Bill of Materials. Position it in the notch in the boom (F) and against the firewall where marked. Drill pilot and plug holes, then glue and screw the seat to the boom. Glue and toe-screw the seat to the firewall, as shown in the photo C, *opposite page*.

**2** Using the Side-View Drawing as a guide, lay out the shape of one side panel (K) on  $\frac{1}{2}$ " pine. Cut the panel to shape with a band saw or jigsaw (take care when cutting the rear wheel well—you will use the remaining cutout for the splash guard [L]). Using the first panel as a template, mark and cut another panel and splash guard to shape.

**3** Rout a  $\frac{1}{4}$ " round-over on the edges of each side panel, where shown in the Exploded-View Drawing. Stop the round-over where the side panels meet the hood, where

the front bumper covers the side panels, and at the wheel wells.

**4** Rout a  $\frac{1}{4}$ " round-over on the inside edge of each splash guard (L), leaving the bottom edges square. Glue and clamp the splash guards flush with the chassis (A), centered over the rear axle.

**5** Clamp the side panels against the chassis frame (make sure they are flush with the front of the grille and flush with the top of the seat).

Remove the clamps, and spread glue on the mating areas of the side panels and chassis frame. Reclamp the side panels in position on the chassis frame. Drill pilot and plug holes, and screw the side panels to the chassis frame.

**6** Cut the hood top (M) to size. Drill pilot and plug holes, and glue and screw the hood top to the top of the grille and firewall. Then, cut the hood side panels (N) to size, bevel-ripping the edges at 45°. (The beveled edges will protrude over the side panels and hood—you'll plane and sand these flush later.) Drill



pilot and plug holes, and then glue and screw the hood side panels to the grille and firewall as shown in photo D, *below*.

**7** Using a block plane, plane the protruding edges of the hood side panels almost flush with the side panels (K) and hood top (M). Now, sand the hood panels flush.

**8** Rout a  $\frac{1}{4}$ " round-over along the front edge of the hood, hood side panels, and side panels, again stopping where you will attach the bumper later.

**9** Cut  $\frac{3}{8}$ " pine plugs with a plug cutter, or cut lengths of  $\frac{3}{8}$ " dowel. Plug all the screw holes, and sand the plugs flush.

**10** Fill all gaps with wood putty and finish-sand the chassis assembly. (We usually finish-sand just before we apply the finish, but it's easier in this instance to sand before attaching the bumper.)

## NOW FOR THE FRONT BUMPER, STEERING WHEEL, AND HEADLIGHTS

**1** Cut the front bumper (O) to size. Rout a  $\frac{1}{4}$ " round-over along its front edges and finish-sand. Drill pilot and plug holes, and glue and screw

the bumper to the front of the grille, with the bottom edge of both being flush. Plug the holes and sand the plugs smooth.

**2** Using a compass, mark the 6"-diameter steering wheel (P) and cut it to shape. Drill a  $\frac{3}{4}$ " hole through the center of the steering wheel (use the same center point you used to mark the circle). Sand out the saw marks along the outside edge of the steering wheel, and rout a  $\frac{1}{4}$ " round-over along the top and bottom edges. Finish-sand the steering wheel.

**3** Using a hole saw or circle cutter, cut two 2 $\frac{1}{2}$ "-diameter headlights (Q). Glue a 1 $\frac{1}{2}$ " length of  $\frac{1}{4}$ " dowel stock into the center hole in each headlight, keeping one end of the dowel flush with the front surface of the headlights. After the glue dries, chuck the dowel into your drill press. Turn the drill press on, and sand a round-over on the front edge of each headlight.

## GETTING READY FOR THE ROAD

**1** Remove the tire/axle assemblies from the housings (C, D), and remove the steering dowel/front axle housing from the chassis.

*Note: Paint the tow truck the "easy way," or spend a little more time, money, and paint for the "deluxe treatment." Either way, use an exterior oil-based enamel paint for a durable, long-wearing finish.*

● **The easy way.** Apply a coat of sanding sealer to all the wood parts (including the steering wheel and headlights). Follow with two coats of exterior enamel.

● **The deluxe paint job.** We stained wood-grained areas on each side panel (see the opening photo). Then, after letting the stain dry thoroughly, we applied a coat of sanding sealer to the entire truck, steering wheel, and headlights. After the sanding sealer dried, we masked off everything except the undercarriage and bumper, and spray-painted them black. We also painted the steering wheel and steering dowel/front axle housing (both are unattached) black. (When you paint the

steering dowel, mask off the spot where the steering wheel will be mounted. When painting the steering wheel, fill the  $\frac{3}{4}$ " hole with paper to keep paint out and to ensure good adhesion to the steering dowel later.)

Later, we masked off the undercarriage, the previously stained area on the side panels, and the bumper. Then, we spray-painted the body yellow and the headlights white. Finally, we fast-talked an artist friend into doing a little custom lettering.

**3** After the paint has dried, reattach the axles to C and D using the mending plates. Place a flat washer onto the steering dowel. Insert the steering dowel through the chassis assembly (A-B), add another flat washer, and push the dowel on through the hole in the hood. Insert a cotter pin into the hole in the steering dowel, and flange its end to lock the steering dowel to the chassis.

**4** Glue the headlights in place in the  $\frac{1}{4}$ " holes in the front of the grille. Turn the truck on its side, and glue the steering wheel onto the steering dowel (this keeps the steering wheel in place and prevents epoxy from dripping onto the body).

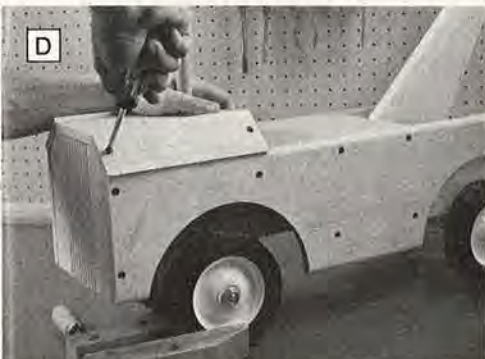
**5** Twist a screw eye into the end of the boom. Tie a short length of nylon cord to the screw eye, and attach an "S" hook to the other end of the cord. Using a pliers, force the end of the "S" hook closed on the nylon cord.

## BUYING GUIDE

● **Epoxy kit.** Kit includes 750 ml (just under a quart) of resin and hardener, gloves, measuring cups, stir sticks, and product information. \$20.95 from Headland International, Inc., 2020-124th Ave. N.E., Suite C-102, Bellevue, WA 98005, or call 206/885-0622.

●  **$\frac{3}{8}$ " plug cutter.** Plugs are chamfered for easy inserting. Catalog no. M4310, \$10.50. The Woodworkers Store, 21801 Industrial Boulevard, Rogers, MN 55374. Or call 612/428-2199 to order. 🌲

Produced by: Marlen Kemmet  
Project Design: Kim Downing  
Photographs: Bob Calmer; Jim Kascoutas



---

# A GUIDE TO THE PRESERVATION OF OLD HAND TOOLS

Complete with Particulars Regarding the Cleaning  
and Replacement of Sundry Tool Parts

---

Wherein We Offer Our Method for the Clarification  
of Linseed Oil as a Protective Finish

---

OTHER VALUABLE INSTRUCTION INCLUDED AS WELL

---

They sure don't make tools like this anymore," you muse as you turn the old jack plane in your hands.

Thousands of planing passes have smoothed its wooden sole. Years of grime obscure the wood's once-satin finish. The tote bears the crinkles of old age, and rust clings to the metal. Decades ago the tool was a beautiful thing—can it be again?

The answer is "yes," if you keep in mind two preservation guidelines of antique tool collectors and dealers:

1. Make it reversible. Whatever you do to clean and repair a tool, it shouldn't be permanent.
2. Less is best. The less you do to a tool, the more it retains its value. Old tools should look old.

Whatever that tool happens to be—a plane, saw, ax, drill brace, or spokeshave—you want only to preserve its character and value.

## WASH AWAY THE DIRT AND DUST OF TIME

Removing years of accumulated grime can be a chore, but it's the only way to get a good look at the tool. Then, you'll see what else needs to be done in its reconditioning.

Give the tool a general cleaning with a cloth dampened with mild liquid dishwashing soap and warm water. Prevent scratching or marring an aged surface by using only a soft-bristled toothbrush to clean out cracks and crevices. Go easy on the scrubbing.

Once you've washed the tool, "rinse" it with a cloth moistened with clean water. Let the tool dry thoroughly before proceeding (you can speed up the drying process by wiping with a cloth dampened with denatured alcohol).

## REMOVE AND CLEAN METAL PARTS, IF YOU CAN

Don't even try to remove metal parts from your tool if it looks like you may not be able to loosen them. It's better to clean them "as is" rather than risk damage.

Sometimes, a sprayed-on burst of penetrating oil, allowed to work on the metal overnight, will do wonders (as on the moving parts of a brace, for instance).

To clean rust from ferrous metal, rub the part vigorously with steel wool—the finer the steel wool the better. Don't use oil or any polishing lubricant.

Layers of rusty scale call for some light chipping with a dull chisel or dental picks. Be careful not to "dig" too deep and remove any of the underlying base metal. And fight the temptation to grind rust off with a wire wheel or sand with abrasives—you'll grind off too much.

Some metal parts may have a black or colored finish. On old tools that's called *Japanning*, so-named for the Japanese technique of building up layers of lacquer. Leave it alone. Only a few master restorers have been able to duplicate the process, and any cover-up or touch-up you try won't match.

Don't be over-zealous, either, in scrubbing or cleaning parts made of brass, bronze, or silver. They add to the value of the tool and can be easily damaged. Usually, a hand-rubbing of these parts with an appropriate polish will renew their luster.

Lift off paint splatters and spots with the tip of a dull knife. Stubborn ones might require a dab with a cotton swab saturated in paint remover. Let it soak in, then lift off. Should there be any built-up grease on your tool, paint remover also acts as a degreaser. But be stingy—excessive paint remover might leave permanent spots, especially on Japanning.

## DON'T OVERWORK OLD WOOD

Wooden parts on old tools usually reflect years of use. At the same time, the wood has gained a character you don't want to lose. The warm, natural patina of levels, cabinet scrapers, saw handles, plane stocks and the like took time to develop. You don't want to remove it.



## HOW TO RENEW AN OLD TOOL

First, wash the entire tool with soap and water.

Soften paint spots with remover and lift off.

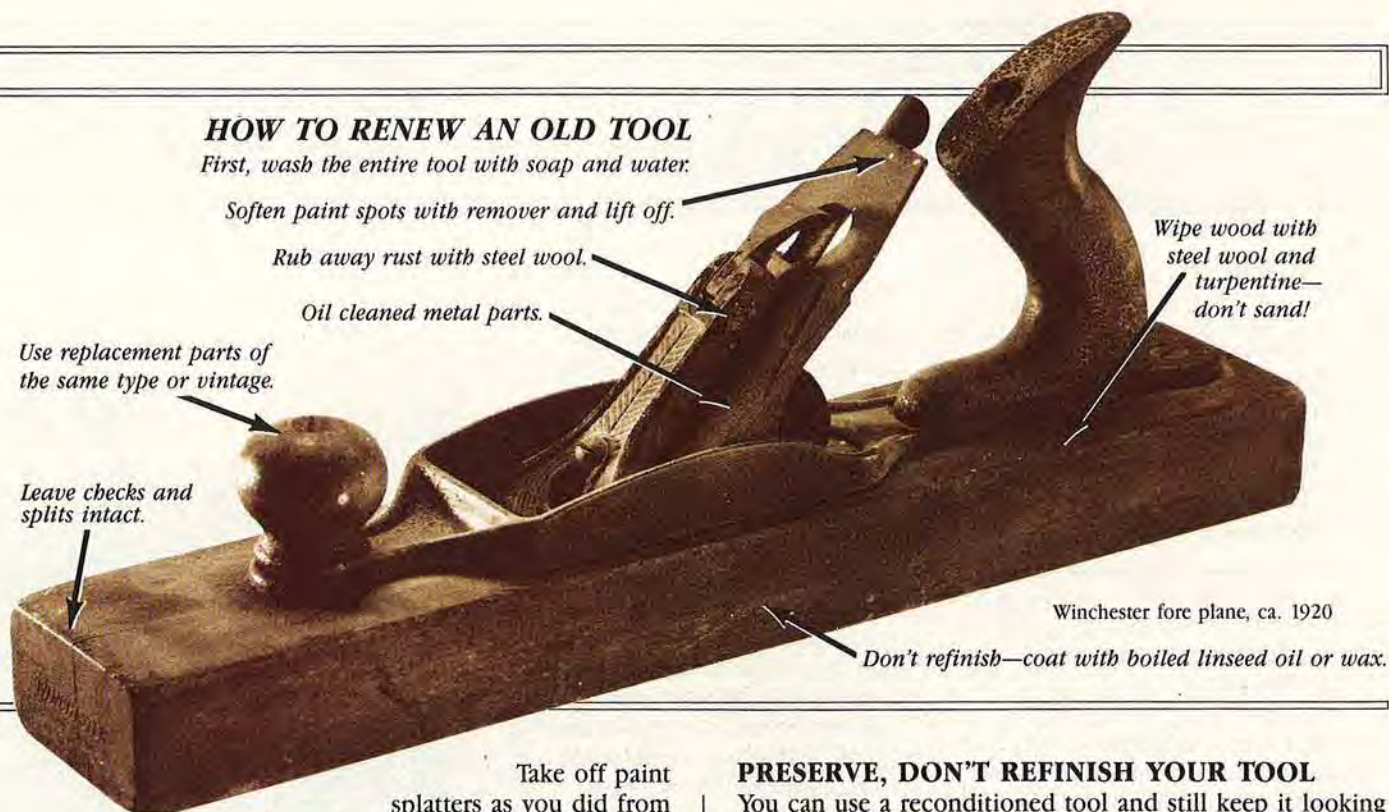
Rub away rust with steel wool.

Oil cleaned metal parts.

Use replacement parts of the same type or vintage.

Leave checks and splits intact.

Wipe wood with steel wool and turpentine—don't sand!



Winchester fore plane, ca. 1920

Don't refinish—coat with boiled linseed oil or wax.

Take off paint splatters as you did from the metal parts, even with the aid of paint remover. Any resulting lighter-colored areas will be evened up in the cleaning.

Use a fine steel-wool pad moistened with mineral spirits or turpentine to restore wood. Never sand. And leave checks, splits, cracks, and other imperfections alone—they're valuable signs of age. On some tools, especially planes, you'll find a maker's mark or brand name impressed in the wood. Use a toothbrush gently to make it more visible, if necessary.

### BE FUSSY ABOUT REPLACING PARTS

Beware! Old-tool reconditioners tend to make the most mistakes when it comes to repairing or replacing parts.

To preserve the tool's value, replace any screws, blades, handles, and other damaged components with parts from the same period. Where do you get them? Collectors advise scrounging up a "parts" tool of the same type and vintage at a flea market, auction, or tool swap. Of course, many antique tool dealers carry spare parts, but you'll pay a premium. You can also check with other tool collectors through the associations listed in the box. Newsletters produced by these groups always carry "wanted" or "for sale or trade" notices.

If and when you do replace parts, keep the originals in a bag tagged with the contents. Should you ever want to sell your tool, the buyer might want all original parts, no matter what condition they happen to be in.

Your tool could also require repair, such as gluing a broken handle. For such mends, use a water-soluble white glue, never an epoxy. Keep in mind that someone in the future may want to take it apart (epoxy is permanent).

### PRESERVE, DON'T REFINISH YOUR TOOL

You can use a reconditioned tool and still keep it looking good by doing what the experts do. They apply clarified, boiled linseed oil to the wood parts in several coats, letting the oil dry in between (see p. 82). A final rubbing with a soft cloth produces a sheen. A paste wax containing carnuba also does the trick. Just rub it in, then buff, as with oil.

Never shine up wooden parts with a household polish intended for paneling or furniture. These products often contain silicone, which penetrates the grain and can't be removed or recoated with another finish. And polyurethane finishes aren't recommended because they tend to look artificial.

Metal parts require a coating of oil to prevent rust. Use a lightweight machine oil, such as sewing-machine oil, and apply it lightly. Don't use spray-on oils—they're too volatile and evaporate quickly.

For tools you'll only want to display, borrow a tip from museum curators. They use a special wax that seals the wood and metal parts to prevent deterioration. After application, the wax remains slightly tacky to the touch. You can order one brand, Renaissance Wax, through mail-order woodworking supply houses.

### OLD-TOOL COLLECTORS' CLUBS

Want to collect, or simply need advice? These groups can help you out:

- Mid-West Tool Collectors Assoc., 3325 Culloden Way, Birmingham, AL 35243
- Southwest Tool Collectors Assoc., 27126 Glenecreek, Huffman, TX 77336
- Mid-Atlantic Tool Collectors Assoc., 5406 Pinetop Circle, Raleigh, NC 27612

Continued on page 82

READERS,  
IT'S YOUR  
TURN!

# PROJECT



Print this article

**C**raftsmanship has endured—at least among woodworkers. From a trio of jewelry boxes to a baker's rack, this issue's featured projects show that some of the most traditional designs can also prove the most appealing.

## SIMPLY SPALTED

*Peter J. Stephano, 45  
Des Moines, Iowa  
Writer/Editor*

WOOD readers know Pete as our Features Editor, who's frequently on the road ferreting out articles. We wanted to show you that Pete sometimes shows up in the workshop, too. Here's the pleasing result of a few hours' work one Saturday.

Pete came across some spalted maple in the woods on one of his trips, and, back in the shop, made it into these unique jewelry boxes. Each measures about 2" tall and up to 3½" in diameter. He cut them to their slightly pyramidal shape on the band saw by tilting the table about 10°. The marblelike pattern on the tops shows exactly what you'd see on the end-grain of a spalted log.

After slicing off the tops for lids, Pete hollowed out the bases to ¾" deep with a Forstner boring bit in overlapping cuts. Then he fitted the tops with tiny pegs, which he inserted into thicker sections of the boxes' walls to act as pivoting hinges. The tops swing aside to reveal their contents.

"If you control the depth of the bits, the bottoms will be smooth," Pete says. "On the inside walls, however, I had to sand with a drum sander."

## A CEDAR CHEST YOU'LL NEVER SEE IN A STORE

*Barry Champagne, 38  
Baton Rouge, La.*

*Hospital building manager*  
Baton Rouge furniture stores can't count on Barry—he furnishes his home with his own work. This 49¾×24×18¾" cedar-lined chest is the latest of his creations.

Barry shopped, peeked, and poked to find wood that satisfied him as to grain and color. He finally chose ¾" Appalachian red oak for the top, decorative door fronts, and drawers. He made the front, sides, and back from ½" oak plywood, and used ⅜" lauan plywood for the bottom.

We didn't receive a photo of the inside, but Barry tells us he beveled the edges of ⅛" aromatic red cedar. Then, using contact cement, he applied it in a parquet pattern.

Never content with off-the-shelf



stain colors, this craftsman mixed four different tints until he got just the right tone. Barry topped his project with three coats of polyurethane. Nice job, Barry—want to go into production?

To highlight the spalted grain patterns, Pete sprayed the boxes with three coats of Deft, using steel wool between coats. A final coat of Briwax brought up the shine. "The grain pattern is so unusual, everyone asks what wood I used," Pete says. "Best of all, it was free."



# SHOWCASE



## TURNED 'TO A TURN'

*Glenn Straub, 42  
Bowmansville, Pa.*

*Artist and craftsman*

You might say that Glenn turns his segmented vases "to a turn." And once you know his background, there's no doubt about it. Precision, to within thousandths of an inch, sets the standard he brought to woodworking from years of toolmaking.

Glenn's penchant for accuracy makes all the difference in the tight fit of the "windows" of this vase. He made these segments of bird's-eye maple and framed them in rosewood for high contrast. He also used rosewood in the neck to

give some zip to the plain maple featured in the rest of his 6½"-high and 4"-diameter piece.

For uniform grain all around, Glenn used barrel (stave) construction, and had to cut the sides of each section to exactly 22½°. He glued up all the pieces with epoxy, holding them in place with a nylon cord until the glue dried. Then, he turned the segmented vessel to shape on a lathe.

For a super-smooth, super-lustrous finish, Glenn's sanding progressed to 400-grit wet/dry paper. He followed that with polyurethane and a coat of carnuba wax. It's clear that Glenn isn't any slouch at finishing, either!



## DOWELJOINED PIE RACK

*Edward M. Zadjura, 35  
Bowie, Md.*

*Federal auditor*

As a Christmas present for his wife, Ed built this solid red oak reproduction of an old-time baker's rack to replace an aged metal one that had served the family for years. "It was my first furniture-type project," Ed informs us. And it's all joined with dowels!

Ed used a \$29.95 doweling jig, which he found he could count on to self-center perfectly, to make precise holes in his boards for edge-joining. He dowel-joined all his boards for width first—in 6' lengths. Then, he crosscut the wide stock for the rack's lower back, sides, and shelves. Again, he used all dowel

joints to fit the subassemblies together. When you have a good thing going, you might as well stick with it.

The completed rack stands 72" high by 25" wide and 15" deep. Since his wife uses it to display her cookbooks as well as antique kitchen tools and jars, Ed gauged the height of the shelves to store them without cramming.

To hold up in a high-traffic kitchen, Ed finished his project in polyurethane satin over a pine stain. While it looks new and shiny now, he hopes it gains more character over the years from the inevitable bumps and bangs. "It should grow better with age. And with our daughter and her dog constantly in the traffic pattern, aging could occur quickly," Ed notes wryly. ♣

### To submit your projects . . .

Send a 35-mm color slide *only* (no prints) with the project as the focal point and a simple background—no people. Include a capsule description—materials, joinery, finish, and dimensions, for example. *WOOD* will pay \$25 for published projects. Slides cannot be returned unless you enclose a self-addressed, stamped envelope.

**Project Showcase  
Better Homes and Gardens®  
WOOD Magazine  
Locust at 17th  
Des Moines, IA 50336**

# POWER MITER

At long last, you can buy a saw that does exactly what you want it to do—make picture-perfect cuts with the flip of a switch.



**This Ryobi TS-251U is the only 10" miter saw that cuts through a 2x4 on edge at 45°.**

# SAWS SUPER ACCURATE CUTS—AT ANY ANGLE

**W**e aren't ready to say that no shop should be without one of these specialized cutting tools. But if you do much work with small trim pieces and moldings, you really ought to investigate a power miter saw. This compact machine performs its single task with precision and ease.

For this report, we asked manufacturers to let us try for ourselves power miter saws with interesting design features and options. Here's what we learned—a guide to help you in making the best decision about a power miter saw for your shop.



## HAND MITER BOXES VS. POWER UNITS

Suggested retail prices of 10" and under power miter saws start at about \$145 and top out at \$400. We think that price range makes them a good buy for any woodworker who does a lot of mitering—especially when you consider that discounts of 30–40 percent are not uncommon.

Sure, a fine hand miter box can cut precise angles with fairly smooth, clean results. But to get the micro-fine angle adjustments that ensure a great fit, you need a guillotine-style mitering shear. The costs: from \$250 to \$400 for a really accurate hand miter box, and another \$250 for the hand shear.

There are other alternatives to power miter saws as well. You can crosscut angles and bevels on a table saw, or make the same cuts even faster on a radial-arm saw. But, especially if you don't have the room or the budget for a radial arm, you can't beat the power miter saw for accuracy and safe operation.

## GUARDS: SAFETY WITHOUT OBSTRUCTING VISIBILITY

A guard on any tool has a difficult job. It must help keep the operator from accidentally getting in the path of the moving blade, yet not obstruct the line of view.

Hitachi and Ryobi approach the dilemma with a rear-hinged plastic blade guard that raises inside the metal top guard. It isn't safe to raise such a guard by hand to line up your blade and cut. However, the rear-hinge system swings the front of the guard up and out of the way before the blade hits the wood, making it easier to line up a cut.

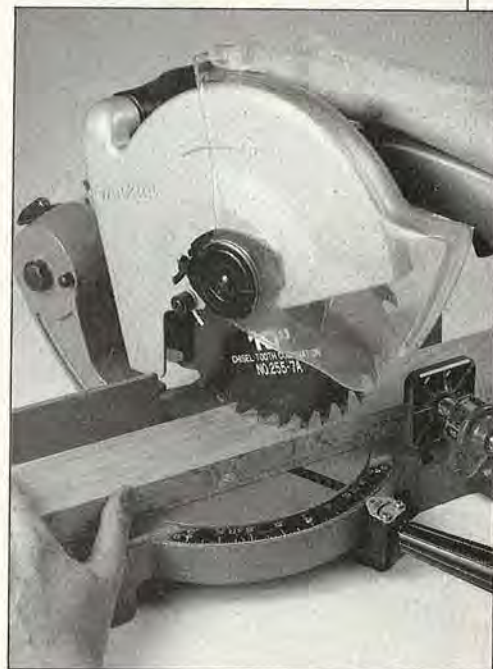
Makita improved its guard system dramatically in the new LS1000. Although the old guard afforded a high degree of safety, it made seeing the blade to line up a cut almost impossible. The new guard is a total reversal of the old two-piece, front-hinged version. The spring-loaded, center-mounted hinge system on the outside of the metal guard gives this saw a more compact look and feel. A thumb-hold molded into the top allows you to lift the guard with one hand, freeing the other hand to move the workpiece to line up the cut. Safety isn't compromised because you can't have your hand on the switch or the safety lock while you raise the guard. When you're ready to cut, simply drop the guard and saw away.

A final variation worth noting is the Black & Decker 9425. It features an automatic, all-metal wraparound guard system. As you pull the saw down, the guard swings out, up, and around the blade inside the upper guard housing. With the saw fully raised, a safety catch holds it in place and the guard completely surrounds the edge of the blade until you push the release to lower the saw for a cut. This system gives you completely open viewing of the blade for cutting and still shields you from the blade when not cutting.



The rear-hinged guard on the Hitachi C 10FA lifts out of the line of vision before the blade makes contact.

Makita's new guard system lets you safely raise the guard without accidentally turning on the machine.



Continued

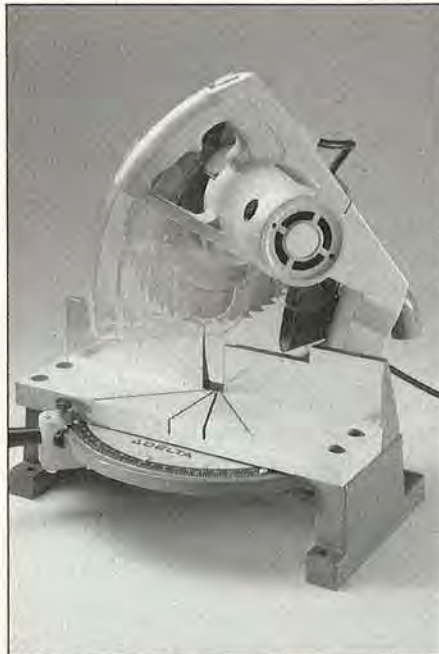
# POWER MITER SAWS

## CUT-THROUGH TABLE DESIGNS

Led by the original Rockwell/Delta (now Delta) 34-010, the first power miter saws featured a particleboard, cut-through table. The table gradually deteriorated through use, requiring periodic replacement.

Then, about a decade ago, Makita revolutionized power miter saw design with its all-metal rotating table. The single, preformed slot guaranteed consistent accuracy with a permanent table.

Several manufacturers have even gone one step farther with a cut-through plastic insert in the blade slot. The Makita LS1000, the Hitachi C 10FA, the new Delta 34-080, and the Black & Decker models all utilize this design to assure that the blade will fit snugly through the table slot. This eliminates much of the potential for bottom chip-out, the one advantage of the particleboard table design (when you repeatedly make the same angle of cut—not various angles).



Delta introduced the 34-010 in 1967. It is the only saw that still has a cut-through particleboard table.



Note the cut-through plastic slot of this Hitachi C 10 FA. This design feature ensures you a tight blade fit.

## BRAKES, LOCKS, AND HANDLES



The surest motor hold-down for storage or transport is the reliable pushpin, shown on this Delta 34-010.

Several saws offer either a **manual** or an **electric brake**. The manual versions work by pressing a plunger against the blade (Black & Decker) or against the drive mechanism (Delta and Sears). Electric models reverse the power field briefly after you take your finger off the trigger and force the motor to stop quickly. Although it's more expensive, we prefer the electric system—it causes less wear on parts.

**Arm hold-downs** come in three styles. Delta, Black & Decker, and Ryobi use a pushpin that locks the joint between the upper and lower support arms. Makita locks the same joint, but uses a flip lever against a cast-in stop. While Hitachi redesigned its 15" saw to use a pushpin, the C 10FA 10" saw still has a cumbersome chain that bolts to the base and attaches to a hook on the motor housing. To us, this is one of the few things we *don't* like about this otherwise high-quality machine.

When it comes to **arbor-shaft locks**, American firms should take note of their Japanese counterparts. You can change blades on Hitachi, Ryobi, or Makita models with just a wrench for the hub nut and your thumb to push the locking button. The saws without this feature require an easily lost wrench and a large hex key, just like a radial-arm saw.

The biggest difference between Japanese and American saws lies in the **handle design**. Except for the Black & Decker 9425, American saws have the familiar D-handle found on hand circular saws. While this design is comfortable for gripping, it's best suited to pushing forward, not pulling down (as you must do with a power-miter saw).

Japanese handles, on the other hand, resemble the straight handles of Dozuki saws. Instead of pulling down with your fingers, this design lets you use your wrist. The result: better control and less fatigue.



You can fit wide crowns on cabinets with this B & D 9425.

This unique compound-miter saw from Sears combines a radial arm and turntable design.



## COMPOUND-MITER SAWS: AIMING AT THE CONSUMER

The three consumer compound miter saws on the market offer a useful variation on standard power miter saw design.

At \$145, the Black & Decker 9425 is the first miter saw designed specifically for the low-end consumer market. (Note: The Sears 23355 is basically the same saw.) Like most power-miter saws, the 9425 uses chop-saw (i.e., plunge-cut) action to achieve beveled angles. It's a great idea, but the low price means minimal aluminum castings and a plastic base and fence. The result: a shakier cut than we like.

The Sears 2374 radial-miter saw is harder to categorize. Were it not for its small size, we'd have a hard time classifying the 2374 as a true miter saw. While it does have the single support arm system and turntable of the chop-style saws, pull-through

cutting action makes it more like a full-sized radial arm.

The radial-arm design makes this saw unique. Inside the massive top cover are two chromed steel parallel rods. The saw head slides on nylon sleeves over these rods. For compound cutting, the entire saw support arm and column pivot left.

Both the Black & Decker and Sears compound-miter saws have many fine features. We like the comfortable feel of the horizontal handle and portability (at 17 lbs.) of the Black & Decker. The lightweight base and turntable and the finger-control click stops are pluses of the Sears radial-arm model.

Unfortunately, these saws have much more play in the pivot systems than we like to see. It's a concession made, we assume, to maintain a low consumer price.

## THE STUFF BASES AND TABLES ARE MADE OF

Here, the object is to keep the tool lightweight without sacrificing size. Tables and bases on most power miter saws are either cast iron or cast aluminum. One consumer saw, the Black & Decker 9425, has a plastic base, and the largest 10" saw, the Hitachi C 10FA, has a 13" cast nickel-steel turntable. The latter is 3" to 4" larger than other turntables, and the base is almost 2" longer than several other models. The increased size gives the C 10FA a slight advantage in terms of keeping the workpiece stable. Yet, its cast aluminum holds weight down to just 44 lbs.

Makita's new LS1000 features a cast-iron base, table, and lower-arm support. Even though Makita's old 2400BW had a cast-aluminum turntable, the new version—at 40 lbs.—is 15 lbs. lighter.

Perhaps the most interesting base system is that of the brand-new Delta 34-080 with its extension-table capability. (See photo and description, p. 57.)

## BLADES: GO WITH CARBIDE

Power miter saws can cut extremely accurate angles, but without the right blade you might as well be using a chainsaw. The blades that come with most of these saws have simple chisel-tooth tips that hack rather than shear. Our advice is to toss the factory blade and replace it with a carbide blade of 60 or more teeth, or a high-quality steel hollow-ground blade. With the price of sharpening going up and that of carbide coming down, we recommend the latter approach.

Several carbide blades are suitable for power miter saws. One that we consider outstanding is the Freud LU85M. Freud engineered this blade for one purpose only: smooth-as-glass, almost splinter-free crosscutting in miter and radial-arm saws. (This blade is not intended to rip.)

The 80 teeth are steeply alternate-beveled carbide, brazed to a Teflon-coated body. Although the teeth aren't flush in configuration, they leave only .007" clearance between the edge of the cut and the blade body. This makes the LU85M cut



Freud LU85M carbide blade

like a hollow-ground blade, leaving a highly polished surface.

One caution about the LU85M: The blade comes with sharpening instructions that must be followed *exactly*. Take the instructions with you to your sharpening service when it's time to touch up the tips. And make sure the sharpener uses diamond stones at least as fine as 320 grit. The LU85M is priced at \$110 for the 10" blade and also comes in 8", 9", 12", and 14" sizes.

Continued

# POWER MITER SAWS

## COMPARING POWER AND BLADE SIZE

In many tools, power delivered by the motor and drive train help you decide which model is right for you. Miter saws are an exception. Each of the saws available has enough power to handle the size of cut they make. Commercial 10" and larger saws range from the 10-amp motor of the Black & Decker 1703 to the 15-amp Hitachi. Lower-powered saws also have smaller-diameter blades that require less power to do the job.

Actually, blade size is more of a factor when you are purchasing a miter saw. Obviously, a bigger blade means more capacity. Check the chart on p. 57 and you'll find that blades for chop-style miter saws (which includes everything but the Sears 7½" 2374 radial arm) range from the 8¼" consumer models to the king-sized Hitachi C 15FA at 15".

The standard blade is 10", which we think handles just about anything a home woodworker would want to tackle with one of these saws. However, if you have a 9" table saw, you might want the advantage of being able to interchange blades with the 9" Delta or Black & Decker model.

Hitachi at 15" and Ryobi and Makita (both 14") are the only saws larger than 10". Essentially these saws are identical to 10" versions, but are beefed up to accommodate larger blades. Their advantage lies in cutting capacities of almost 2" more width and height than their smaller cousins. Unfortunately for the checkbook, their prices are substantially higher as well.

## CAPACITY: HOW MUCH CAN A SAW REALLY HANDLE?

With the right blade, a miter saw can cut wood (both solid and veneers), dimension lumber, and moldings. It also can handle brass, copper, aluminum, and plastics. The width and height of these materials, though, depends on several factors.

If you look at the chart on page 57, you'll find the capacity of each saw listed as "height × width." These dimensions represent the maximum-sized block of material that the saw can cut. But there's more to it than that. For example, the Ryobi TS-251U has a listed capacity of 3⅞" × 3⅞" at 45°. Yet, the saw will cut completely through a height

of 3⅞"—if the piece is only 1½" thick. (This makes the TS-251U the only 10" saw that will cut a 2×4 on edge in one stroke.)

Other saws also have quirks when it comes to capacity. The Delta 34-010 will miter the very end of a board 1" wide and 3¾" tall—but only if the rest of the piece hangs off to the left. On some saws, mounting a ½" or ¾" auxiliary fence permits you to cut through a 2×4.

While power miter saws have limited capacity, remember what they're used for. Almost any molding and other fitted pieces in your projects are well within their range.

## SCREW CLAMPS AND SUCH: OPTIONS TO CONSIDER

- **Screw clamps**, available on several saws, were a nice but awkward idea that just didn't work well when you tried to manage some unwieldy piece on the saw. Makita has solved the problem with a handy quick-release screw clamp. The device works like a fast-release bench vise. By turning the screw a quarter-turn clockwise or counterclockwise, you engage and release the threads. The clamp slides in and out when it's loose, and tightens down with a twist of the wrist.

- **Dustbags** on most models clip or slide on the dust-exhaust chute, aiming straight back. When you want to mount the saw up against a wall, you either have to remove the bag or bend the wire brace. The exception is Makita, which cleverly tucked its dustbag behind the motor. Despite their potential awkwardness, we think dustbags are worth it.



Makita miter saws feature this handy-to-use quick-release vise.

- **Short-bed extensions** are a feature of Hitachi and Ryobi saws. These U-bars extend the support off the end of the table by 6" either way. The extra support doesn't amount to all that much, but it can come in handy in some instances.

## CUTTING: TAKE IT EASY AND AVOID CHIPPING

It's easy to make the mistake of cutting too fast with a chop-style miter saw. The simple pull-down, plunge-cutting action lets you zip through your work, especially smaller pieces such as moldings. However, this results in chipping at the back and bottom of the workpiece at best and

a blow-up with splinters flying at worst. Ease up and cut in one steady motion for better results and safer operation.

When it comes to avoiding chipping, we found one fence design to be outstanding. All power miter saws except the Makita LS1000 have

a fairly wide gap between fence halves that allow the blade to move. Makita added plastic plates that move as the table rotates to close the opening to less than ⅜". It's a real plus when you cut very small or short pieces that might be torn to splinters or ripped from your hand.



## COMPARING POWER MITER SAWS

Manufacturer	Model no.	Blade size (in.)	Weight (lbs.)	Capacity*		Motor/drive assembly						Base			Options					
				H x W 90°	H x W 45°	Safety switch lock	Amps	Bearings	Drive	No-load speed (rpm)	Brake	Spindle lock	Base frame	Turntable	Support arm	Blade slot	Dust bag	Vise assembly	Extension supports	Suggested price
Black & Decker	1703	10	39	3¼ x 4¾	3¼ x 3¾		10	B	G	5,300	M	A	A	A	P	—	—	—	\$260.00	
Black & Decker	7715	9	37	2½ <sub>16</sub> x 4	2½ <sub>16</sub> x 3½		9	B & S	G	5,300	—	A	A	A	P	—	—	—	234.95	
Black & Decker	9425	8¼	17.5	2¼ x 5¼	2¼ x 3¾		8	B & R	G	3,600	—	P	A	A	O	—	—	—	144.99	
Delta	34-010	9	34	2½ x 4	2½ x 3½		10.5	B	B	5,000	M	A	C	A	C	—	—	—	231.00	
Delta	34-080	10	55	3¾ x 4	4 x 3R 3½ x 1L		14	B	B	5,000	E	I	A	I	P	—	—	—	300.00	
Hitachi	C 10FB	10	48	3½ x 4½ <sub>16</sub>	3½ x 3½	•	12	B	G	4,100	E	•	I	I	O	A	A	A	349.00	
Hitachi	C 10FA	10	44	3½ x 4½ <sub>16</sub>	3½ x 3½	•	15	B	G	4,500	E	•	A	A	A	P	S	S	S	419.00
Hitachi	C 15FA	15	55	4¾ x 6¾	4¾ x 4¾	•	15	B	G	3,400	E	•	A	A	A	P	S	S	S	599.00
Makita	LS1000	10	40	2¾ x 4¾	2¾ x 3½	•	12	B	G	4,100	E	•	I	I	I	P	S	S	—	348.00
Makita	(A revised version of the LS1400 14" miter saw will be available in late summer, 1986. No specs available at this writing.)																			
Ryobi	TS-251U	10	33.5	3½ x 4¾	3½ x 3½		12.5	B	G	5,000	E	•	A	A	I	O	A	A	A	329.00
Ryobi	TS-380	14	50.6	4½ <sub>16</sub> x 6¾ <sub>16</sub>	4½ <sub>16</sub> x 4¾		14	B	G	3,400	E	•	A	A	A	P	A	A	A	599.00
Sears	2374	7½	65	2½ x 8¾	2½ x 6¾ <sub>16</sub>		10.5	—	G	5,500	M	A	A	A	O	—	—	—	269.99	
Sears	23355	8¼	20	2¼ x 5¼	2¼ x 3¾		8	B & R	G	3,600	—	P	A	A	O	—	—	—	144.99	

Bearings: (B)all (R)oller (S)leeve  
Drive: (G)ear (B)elt  
Brake: (E)lectric (M)echanical

Base: (P)lastic  
Cast (I)ron  
Cast (A)luminum  
(N)ickel-steel

Blade slot: (O)pen  
(P)lastic cut-through insert  
(C)ut-through  
particleboard table

Options: (S)tandard  
(A)ccessory  
Arbor size is 5/8" on all saws  
except: Hitachi C 10FA and  
C 15FA (5/8" or 1" arbor) and  
Ryobi TS-380 (1").

\*See section on capacity on facing page for more details.

### THE NEW SAW ON THE BLOCK

We hate to talk about a tool that's not available to us to try out. However, the Delta 34-080 motorized miter box sounds too good to ignore.

At the time of this writing, the saw still is a month away from being in production, but it should be available in retail outlets by the time this issue of *WOOD* reaches you.

The 34-080 has a solid 5/8" arbor

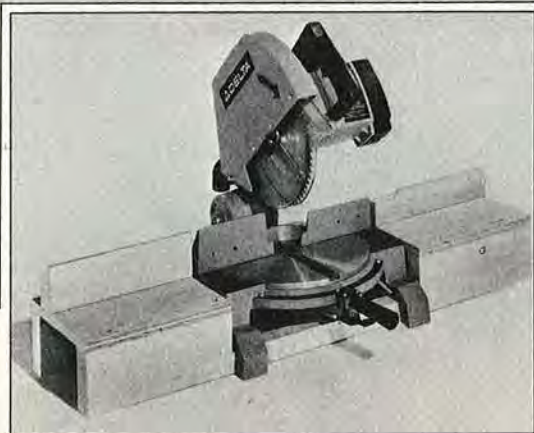
shaft that runs completely under the motor. By separating the two bearings with the length of the motor, the blade arbor operates more like a table-saw arbor assembly. This feature should increase the stability and lengthen the life of the arbor.

Another point of difference is the belt-drive system. All miter saws except the two Deltas use an all-gear

drive. Delta opted for a short, toothed timing belt. In the 34-010 you had to remove the blade, guard, and other parts to get at the belt. The new system mounts the belt opposite the blade. All you have to do to replace it is remove four screws and the motor and cover.

The most interesting feature of the 34-080 is the base system. The cast-aluminum saw housing, support arm, and 12" turntable (with cut-through plastic insert) mount in a most ingenious cast-iron base. The casting is formed so that you can drop it over two 2x4's and, with standard-sized lumber, make your own extension tables of any length.

If this saw delivers on its promises, you really should take a look. 🍷



The new Delta 34-080 with its unique extension-table system.

Photo courtesy Delta International Machinery Corp.

How they turn logs into lumber . . .

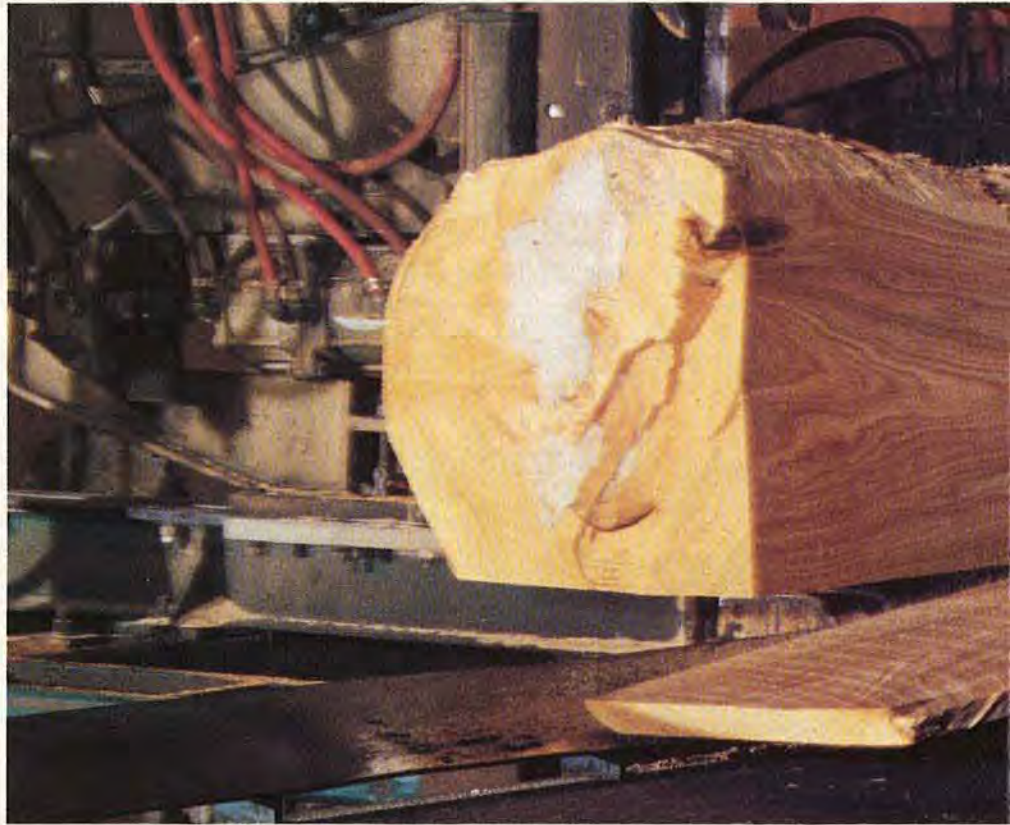
# DOWN AT THE

These days, few woodworkers have the know-how, the equipment, the time, or the inclination to turn hardwood logs into stable stock that's ready for woodworking. But that doesn't stop most of us from occasionally wondering just how it's done.

Last winter, Features Editor Peter Stephano headed north to find out for himself—and us, too—exactly what happens in a high-volume hardwood sawmill. Here's what he learned at the Brunkow Hardwood Corporation sawmill in Bay City, Wisconsin—a mill that produces more than 5 million board feet of red oak, ash, walnut, cherry, and other graded, cabinet-quality lumber each year.

Wherever hardwood grows, you'll see sawmills. Wisconsin alone has more than 500! Some mills are small, two-man operations. Even smaller mobile mills travel to the logging operation or woodlot for on-site sawing. These smaller mills, however, can't produce in quantity the high-quality, graded hardwood lumber demanded by the furniture and cabinet industries—and by you, the home woodworker. Instead, they focus on railroad cross ties, pallets, barrel staves, box boards, posts, lath, and common lumber.

There's a big difference between "plain-sawing" logs for such common lumber and wood products and "grade-sawing" logs for boards graded to National Hardwood Lumber Association (NHLA) standards (see box on grading, p. 61). The sawmills set up to do it, like Brunkow's, are referred to in the



hardwood industry as *grade mills*.

An ordinary mill runs a log repeatedly through its saw from one side to the other, the way you'd slice a potato lengthwise for French fries. The boards come off just as they were in the log—knots in the middle and all. That's plain-sawing at its simplest. Grade-sawing adds an important step: The logs are visually scanned, then rotated before they go to the blade in order to arrange defects on the boards' edges, where they can later be trimmed off, as shown in the photo, *above*. This takes skill, specialized equipment, and an investment in the hundreds of thousands of dollars.

That's why, for a grade mill to make money, the workers function as a team to keep the process going in high gear. There's little wasted wood. From bark to sawdust, *all* the log contributes to gross sales.

## THE FOREST: WHERE QUALITY BOARDS BEGIN

Sawmills consider the forests surrounding them as their standing inventory because it's impractical to haul logs long distances. Brunkow's mill—set amid the rolling hardwood forests bordering the Mississippi River—draws on timber from state forests and private lands. When prime hardwood comes up for bid by the state, Brunkow's is there. Or, Brunkow log buyers appraise private timber and make an offer (see "Timber Cruising," *WOOD*, June 1986, pp. 50-53).

Sawmill manager Pam Herbst, 31, oversees the mill operation. A trained forester, she can spot quality boards-to-be in standing timber as well as in the mill. Pam knows that if the trees marked for cutting aren't properly felled, potentially high-grade lumber will be lost. "If the

*Continued on page 60*

# OL' SAWMILL



*Top.* In less than a minute, the huge, swirling sawblade slices up a red oak log into 1 1/8" thick lumber. If the blade broke loose, it would travel at 110 mph!

*Above.* Three logs at a time, the hauler loads up his truck for the sawmill. To get a well-balanced load to the stakes, his first layer must be five logs across.

## LOGGERS' LINGO

Every industry has its own vocabulary—words for things, jobs, and actions that seem “just right.” In logging and lumbering the terms are particularly colorful.

**Buck:** To cut a fallen tree into manageable lengths.

**Bunk bed:** The bottom-most layer of logs on a logging truck.

**Cant:** The rectangular, center portion of a log left after sawing. May be sold for railroad ties.

**Choker:** A cable or wire rope looped around a log or logs to drag them out of the woods.

**Cut:** The logging operation where trees are felled. A cutter is a chain saw operator.

**Hog:** A machine used to grind scrapwood from the sawmill into chips for other uses, such as particleboard.

**Hot-logging:** To haul fresh-cut logs directly to the sawmill for immediate use.

**Jacketboard:** One of the first four outer slabs cut from a log at the sawmill. Sold as firewood or chipped into particles.

**Knot bumper:** A logger who cuts branches from the log.

**Live rolls:** Powered rollers used to move logs to the saw.

**Scale:** The measure of the volume of wood in a log, in board feet. Also the surface measure (SM) of a board in square feet.

**Shake:** A grain separation between growth rings; a split. Rated as a defect in hardwood-lumber grading.

**Sidehill load:** An uneven load of logs on a trailer with larger logs placed to one side.

**Wane:** Bark, or any nonusable defect except knots on the edge or end of a board.

# THE OL' SAWMILL

cutter in the logging operation takes the tree down too low, for instance, we've wasted length," Pam says.

Downed trees then have to be topped and limbed with a chain saw. After that, it's up to the skidder operator to move the logs to the landing, a loading area by the road.

With a choker cable pulled tight around the butts, or ends, of the logs, the skidder drags them from the forest in threes and fours. In winter, the packed and frozen ground offers little resistance to the telephone-pole-like lengths. The powerful skidder, looking like a combination tractor/tank, has no trouble dragging its payload of 6 to 10 tons over the terrain.

At the landing, another chain saw-wielding cutter bucks, or saws, the long logs to lengths from 8'9" to 9'. These sizes fit the mill's equipment, which was converted from a tie-sawing operation.

"The cutter has to think about long, clear lengths," Pam notes as she points to the freshly cut logs. "Saw cuts should be made through limb scars and other defects so they'll be at the ends of the logs."

Just as the cutter has to carefully divvy up the long logs into shorter ones, the hauler must carefully lay up his load onto his truck's trailer. His truck has a hydraulically operated, crane-like boom with teeth that resembles the jaws of a clam. With the "clam," the hauler can pick up three logs at a time—like so many matches—and swing them onto the trailer bed until he has a full load of about 35 logs.

## DOWN THE DECK TO THE DEBARKER

At the mill, the forklift operator takes charge of the newly delivered logs. Manuevering his giant machine from inside its cab, the operator picks up seven or eight logs at a time. He either stacks them in the vast mill yard for future sawing or starts them on their way through the mill by dumping them directly onto the powered rollers of the elevated deck located just ahead of the noisy, chattering debarker.

In a minute or less, the debarker operator skins off a log's thick coat by mechanically rolling it against the machine's gnawing teeth, shown in photo, *right*.

Naked and marred from its mauling, each log passes from the debarker to the inbound deck. Where they once rode crosswise on the conveyor, the logs now stretch lengthwise down the roller in order to more easily enter the mill. While logs move to the saw carriage, their bark goes a different direction—up a chute for bagging as landscape bark.

As a log enters the building, mechanical kickers boot it off its headlong path and send it in a new direction—to either the saw on Line No. 1 or the one on Line No. 2. Bunching up now side to side and resembling ribs of corduroy, the logs await the sawyer's nudge of a button to move them forward one at a time onto the saw carriage.

## HOW THE SAWYER MAKES GRADE

In the saw carriage, the journey of the raw material in-the-round halts momentarily. The sawyer scans the log for visible defects that will determine his vital first cut (see the illustration on the next page). Using the mechanical arms on the carriage to turn the log over and over in inspection, he decides on position and steel dogs lock it in place.

If the sawyer sets the log correctly the first time, he'll slice off the widest and clearest boards with the first few passes through the saw. Then, he'll turn the log three more times, repeating the cutting sequence.

The sawing happens in an instant. Once he visualizes his first cut, the sawyer sends the log to the 56", carbide-toothed blade incredibly fast. Zzzinnnggg. The first jacketboard falls free of the log. The carriage shoots back. Again. Again. Dogs turn the log for more slices. Down again. Zzzinnnggg.

In less time than it takes to describe, the sawyer reduces the log to a pile of boards that each, in turn, move on down the line.



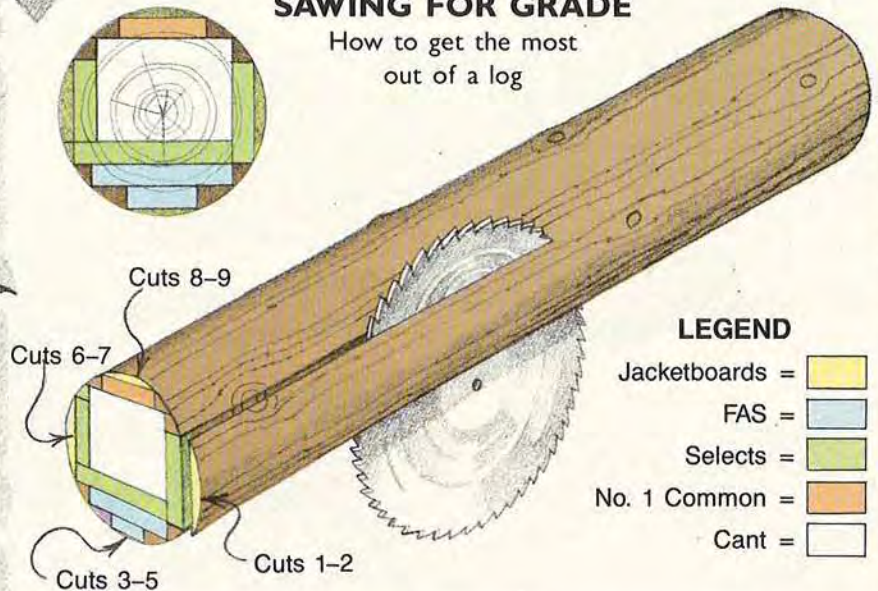
**Top.** Acrid dust and chips fill the air as logs pass through the debarker. The sawyer can now see defects clearly. Bark chips get bagged for landscaping.



Above. Replacing the 56" blade requires two men. Tim Hohmann, left, the fix-it-all millwright, helps Brad Olsen, a sawyer, move the blade to Line No. 2.

## SAWING FOR GRADE

How to get the most out of a log



By "reading" the surface of a log before sawing, then turning it on the carriage before subsequent passes, the sawyer obtains the maximum yield of graded boards. The drawing, above, shows you how the sawyer might slice up a log into 1" stock.

Cuts 1-2 remove a jacketboard and a Select board, then the log is turned for sawing cuts 3-5, 6-7, and 8-9 in order. Higher-graded

boards come from the log's outer wood. Deeper into the log, the boards sawn have more knots. All lines on the drawing define the size of the boards when sawn and edged, and the color code designates grade.

After the boards come off, the rectangular-shaped *cant* of heartwood is sold to other mills for further sawing or is marketed as railroad ties.

## WHAT GRADES MEAN TO YOU

Native hardwood lumber, such as that you buy from a retailer for use in your shop, meets different quality levels as specified in the grades formulated by the National Hardwood Lumber Association (NHLA). While you'll find hardwood in thicknesses from  $\frac{5}{8}$ " to 2", the basis for grading is not thickness, but rather the number and size of defect-free portions, called *clear cuttings*, a board will yield. Here's what it takes for a board to meet grade:

**FAS (First and Seconds).** The best and most expensive grade.

Used for large furniture projects requiring large,

clear faces. Boards must be 6" or wider, 8' or longer. Yields  $83\frac{1}{3}$  percent clear stock on both sides.

**Selects.** Useful for furniture or projects where only one side will show because one side is graded FAS, the other No. 1 Common. Boards have to be 4" or wider, 6' or longer. Yields  $83\frac{1}{3}$  percent clear cuttings, but only on FAS side of board.

**No. 1 Common.** Price difference between this and higher grades significant enough to often make up for lower yield of clear stock. Boards must be 3" or wider, 4' or longer. Yields  $66\frac{2}{3}$  percent clear cuttings.

Continued

# THE OL' SAWMILL



## REMOVING DEFECTS: THE JOB OF THE EDGERMAN

Jacketboards and other trim from the saw go directly to the grinder for chipping into the raw material for particleboard. Boards for grading are channeled down a belted conveyor to the edgerman.

In slicing the log, the sawyer has made boards with most defects falling to the edges. Now, the edgerman decides how he will edge the boards. He either "rips for grade" or "rips for scale."

For instance: A board roughly 8" wide may have some knots, spots of bark, and other irregularities. In the industry, these imperfections are called *wane*. In edging, he can rip that board wide, leaving on much of the wane. That means there'll be more board feet, or scale, in that

*Above.* To remove wane from grade-sawn boards, Robert Miller, the edgerman, adjusts the width between his rip saws. Much of the red oak he's edging will be graded First and Seconds.

piece of lumber. However, the edgerman may see that by ripping off more wane, he'll get a clearer, but narrower, board that might grade as valuable FAS (see illustration, *below*).

The edgerman's decision is aided by a special overhead light. Two long rods mounted under a reflector, shown in photo, *above*, cast twin shadow lines on the board before him. With a variable control, the edgerman either widens or narrows the space between the lines to visualize his cuts. Once decided, he sets the distance between the rip saws by turning a wheel, feeds in the board, and never sees it again.



*Above.* By slicing off any waste on the ends, trimmerman Jay Carlson upgrades boards. He cuts most of them to 8'6" to allow for checking during seasoning.



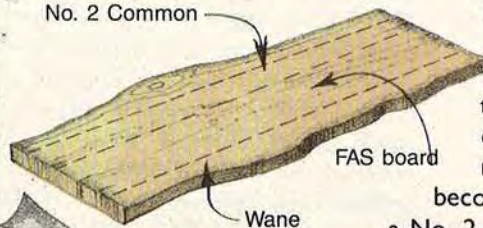
*Above.* Grading stick in hand, lumber grader Jerry Scott marks each newly sawn board for quality and surface measure.

*Right.* Mill manager Pam Herbst checks thickness. An extra 1/8" on a year's production would be like throwing away 66,000 board feet!



## A LITTLE LESS WANES, IF YOU PLEASE!

No. 2 Common



FAS board

Wane

If this entire board was edged full width, it would be graded No. 1 Common. Ripped on the broken lines, however, the excess waste, or wane, is removed and the lower portion becomes an FAS board, the upper a No. 2 Common. Value is increased by as much as 25 percent.



### DEALING WITH ENDS: THE TRIMMERMAN

Rough-sawn, edged boards are passed down to the trimmerman, who directs their cutoff to length. In the Brunkow mill, most of the hardwood lumber sawn ends up 8'6" long. This length meets the minimum specifications for FAS stock (8') and allows for some loss on the ends due to splitting and checking in seasoning.

When longer or shorter boards come by on the conveyor, the trimmerman deftly adjusts their position to meet his blades, shown in photo, *above*. The trimmerman, like the edgerman before him, also has the opportunity to raise the potential grade of the lumber passing by. But, he must decide in seconds.

Board ends have defects, too. If the trimmerman can eliminate them without losing scale, there's a chance that the now-clearer board will be graded higher.

From the double saws of the trimmerman, scrapwood follows the chute for particleboard. The edged and trimmed boards head for final judgment under the eyes, rule, and crayon of the grader.

### QUALITY IN THE GRADER'S EYE

Hardwood grading takes years of practice. Keen eyesight and an understanding of the extensive NHLA grading rules are essential to do the job quickly. Hardwood graders demand top pay, and few mills can afford to keep them on the payroll unless they are kept busy all the time. Pam doesn't have a lumber grader at Bay City, but she can borrow one.

In Brunkow's other sawmill, 25 miles south at Nelson, Wisconsin, Jerry Scott is one of the two full-time lumber graders. When the mill has down-time, Jerry often travels to do Pam's grading on site, rather than waiting to grade the lumber when it's shipped down for kiln-drying.

Jerry's eyes have scanned many a board. In 12 years at the mill, he's worked nearly every job. Now, in a glance, he's able to pass judgement on hardwood.

Walking over the boards as they come off the line, Jerry carries a scaling stick in one hand and a long, thin pole fitted with a marking crayon in the other. The scene reminds you of cross-country skiing, but on a blanket of wood rather than snow. Jerry rarely looks up as he inspects the boards at his feet and assigns them a grade.

In just a few seconds' time, Jerry:

- measures length and width for a surface measurement (SM) in square feet with his scaling stick.

- pictures the number of 1×12" clear cuttings on the board, then totals them.

- checks his findings against NHLA specifications, which he has committed to memory. Each hardwood grade (FAS, Selects, No. 1 Common, etc.) specifies the *minimum* number of clear cuttings boards must contain to meet that grade.

- assigns the board a grade with a code letter, marks the letter with the crayon directly on the board, and records the SM and grade in his tally sheet for totalling.

Sometimes, Jerry suspects he can raise the grade of a board if he has a look at its other face. He flips the

board over with the hook on the end of his scaling stick. His hunch confirmed, he'll mark and tally it.

"I'll always try to up the grade," says Jerry, "even if that means more ripping or trimming to make it."

### SEASONING: SUNSHINE AND STEAM

Insiders call it "mill bright"—freshly sawn lumber straight from the mill. It's also green, with a moisture content of 70 percent or more. Getting it down to the acceptable 9 percent takes two steps, and lots of time.

At Bay City, Pam directs the arrangement of the pallets containing the stickered, mill-bright wood on the hilltop so that prevailing winds whistle through the stacks, whisking away water. In time—about 90 days for red oak—the sun will draw its share of moisture, too, and turn the boards a shade darker.

Once air-dried down to 25 percent moisture content, the boards will be trucked to the kiln at Nelson.

Fired by sawdust, an abundant by-product of the mill, the furnace produces heat that fans circulate through, over, and under the wood in the 160,000-board-foot-capacity, two-section kiln. Temperatures gradually rise from 90° to 180° during the 8-day kiln-drying.

When the wood reaches 6 percent moisture, the drying process must be briefly reversed. "To condition the boards for sawing and working by the ultimate user, we introduce steam," says Pam. "This pushes moisture content back to 9 percent."

Following a pass through the 36" abrasive planer, the graded hardwood reaches shipment stage, ready for delivery to the furniture manufacturer or lumber retailer. Months could have passed since it was first touched by a chain saw in the woods.

Down at the mill, other logs are on deck, awaiting the skilled teamwork of the yardman, the debarker, the sawyers, the edgerman, the trimmerman, and all the others who daily "saw for grade." 🌲

Produced by Peter J. Stephano  
Photographs: Hopkins Associates  
Illustrations: Jim Stevenson

# YOU GET EXTRA SUPPORT PLUS A ROUTER TABLE WITH THESE **DOUBLE-DUTY TABLE-SAW EXTENSIONS**

Most projects—and shops, for that matter—center on the table saw. To make your table saw an even more versatile workshop hub, we designed two extensions to increase the work surface. Half of one extension is hinged to drop down out of the way when not in use. We also built in a router table as part of the other extension to make double use of the work surface and table-saw fence.

*Note: These extensions fit a Sears 10" table saw; dimensions may vary for your particular saw. Also, some models such as the Delta (formerly Rockwell) 9" contractors' saw may require an extra hole or recess on the bottom of the back extension for the motor when tilted in the full 45° position.*

## START BY CONSTRUCTING THE EXTENSIONS

**1** (Before you begin, remove any factory-made metal extensions from your table saw.) Leave the rip-fence rails in place. On a half sheet of  $\frac{3}{4}$ " AA or AB plywood, measure and mark the layout of the main extension (A) and the side extension (B), where shown and dimensioned in the Cutting Diagram. (Remember to mark a cutout for the blade guard on the main extension.) Cut the two extensions (A, B) to size and shape (you will cut the main extension [A] into two pieces later).

**2** Trace the outline of both extensions onto the balance sheet. (The balance sheet stabilizes the extensions and reduces the chances of warpage. If balance sheet is difficult to locate in your area, use laminate

on the bottom side of the extensions.) Then, score and snap the balance sheet  $\frac{1}{2}$ " oversized. Using contact cement, apply the balance sheet to the bottom of both extensions. With a router and a flush-trim bit, trim the balance sheet flush with all edges.

**3** From solid birch stock, rip and crosscut the banding strips (C–K) to size plus 1" in length. Glue and nail strips C, D, and E to the sides of the main extension, and both F's to the sides of the side extension, where shown in the Cutaway Drawing. After the glue dries, scrape off excess glue, then plane or scrape the surfaces flush, being careful not to round-over the edges. Then, use a backsaw to trim the ends of the

banding strips flush with the ends of the plywood. Apply the remaining banding strips (G–K) in the same manner. Be sure to avoid nailing into strips I and J where you will rip extension A into two pieces later.

**4** Use a compass to mark  $\frac{3}{4}$ " radii on all outside corners of the extensions, where shown in the Top-View Drawing. Cut the corners to shape and sand them smooth.

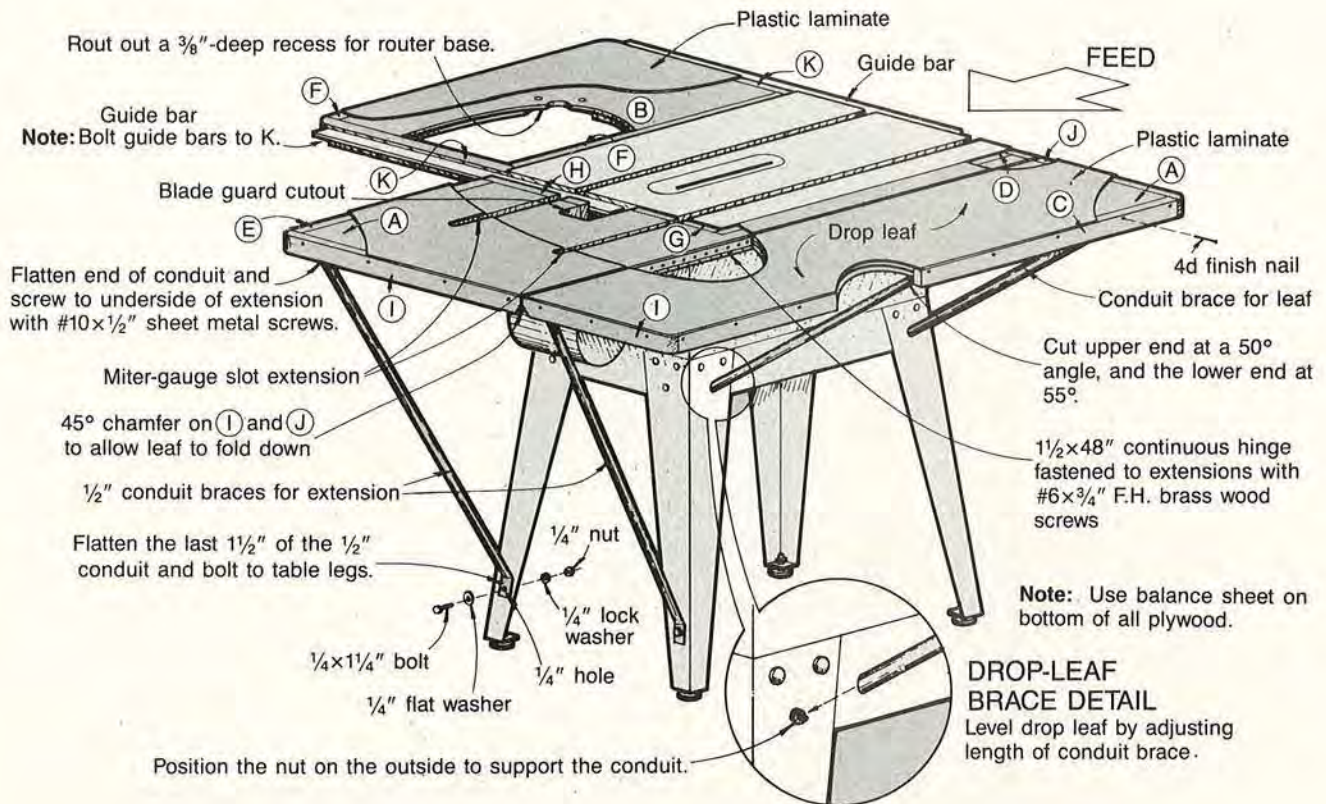
**5** Make a couple of marks  $13\frac{3}{4}$ " from the 48" side of the main extension to locate the hinge line. Using the marks as a guide, rip the extension in two. You will reattach the long, straight outside piece with a continuous hinge later.

**6** Lay the extensions on the laminate and trace their outlines. Cut

We took a Sears 10" table saw with a 20×27" work surface and expanded it to nearly five times the surface area!







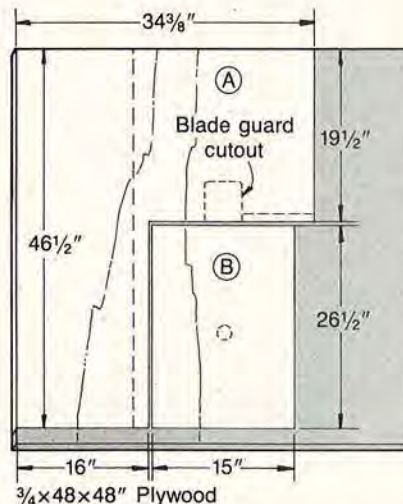
### Bill of Materials

Part	Finished Size*			Material	Qty.
	T	W	L		
A*	$\frac{3}{4}$ "	$34\frac{3}{8}$ "	$46\frac{1}{2}$ "	plywood	1
B	$\frac{3}{4}$ "	16"	$25\frac{1}{2}$ "	plywood	1
C*	$\frac{3}{4}$ "	$1\frac{1}{2}$ "	$46\frac{1}{2}$ "	birch	1
D*	$\frac{3}{4}$ "	$1\frac{1}{2}$ "	27"	birch	1
E*	$\frac{3}{4}$ "	$1\frac{1}{2}$ "	$17\frac{3}{4}$ "	birch	1
F*	$\frac{3}{4}$ "	$1\frac{1}{2}$ "	$25\frac{1}{2}$ "	birch	2
G*	$\frac{3}{4}$ "	$1\frac{1}{2}$ "	$7\frac{7}{8}$ "	birch	1
H*	$\frac{3}{4}$ "	$1\frac{1}{2}$ "	$8\frac{3}{4}$ "	birch	1
I*	$\frac{3}{4}$ "	$1\frac{1}{2}$ "	36"	birch	1
J*	$\frac{3}{4}$ "	$1\frac{1}{2}$ "	16"	birch	1
K*	$\frac{3}{4}$ "	$1\frac{1}{2}$ "	$17\frac{1}{2}$ "	birch	2

\*Parts marked with a \* are cut larger initially, then trimmed to finished size. Please read the instructions before cutting.

**Supplies:** 4x4' balance sheet, 4x4' plastic laminate, contact cement, 4d finish nails, 2—10' lengths of  $\frac{1}{2}$ " conduit,  $1\frac{1}{2} \times 48$ " continuous hinge with  $\#6 \times \frac{3}{4}$ " flathead brass wood screws, 4—broomstick holders,  $\#10 \times \frac{1}{2}$ " sheet-metal screws, 2— $\frac{1}{4} \times 1\frac{1}{4}$ " bolts with flat washers/lock washers/nuts, oil or polyurethane finish, 4—lag screws and washers

### Cutting Diagram



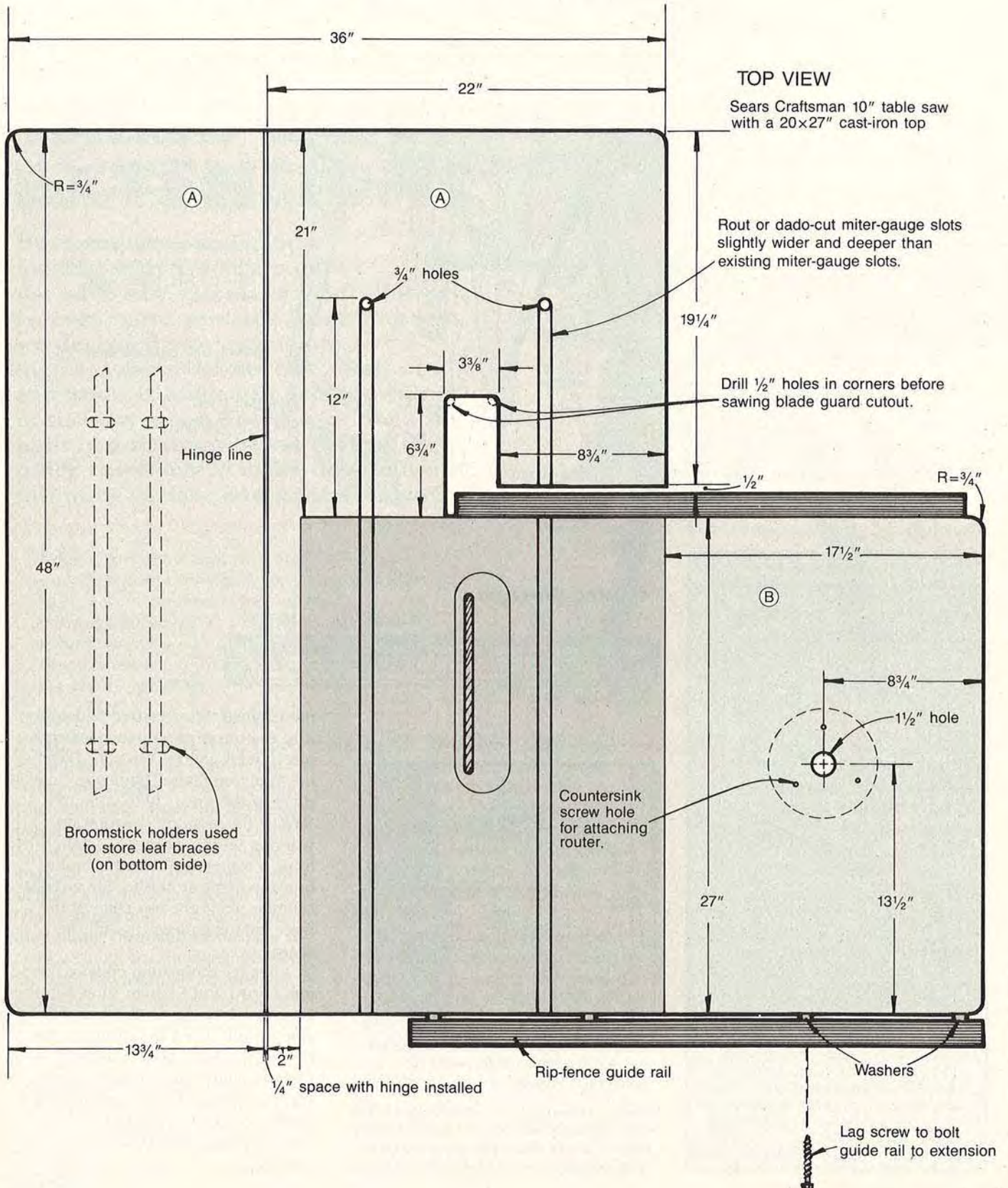
**Note:** Although the plastic laminate and balance sheet are cut slightly larger than the plywood, the cutting diagram would be similar.

the laminate  $\frac{1}{2}$ " oversized and apply it to the top of the three extension pieces with contact cement. (Refer to "Applying Plastic Laminates" on p. 30 of the April, 1986 issue of *WOOD* for more information on working with laminates.) Again, using a router and a flush-trim bit, rout the laminate flush. File a slight chamfer along the top edge of the three laminate pieces to dull the sharp edge.

**7** Chamfer the mating ends of banding strips I and J where shown in the Cutaway Drawing so that you will be able to fold down the drop-leaf portion of the main extension. (We used a combination square to mark the  $45^\circ$  angles on the banding strips. Then we cut the chamfers with a hand saw and sanded the edges smooth.)

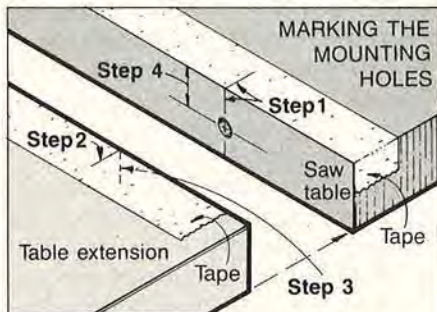
Continued

# TABLE-SAW EXTENSIONS



## PREPARING THE EXTENSIONS FOR MOUNTING

**1** Apply masking tape to the sides and back of the top surface of the saw table, where shown in the Marking the Mounting Holes Drawing, Step 1, below. (We used masking tape because it makes a better marking surface.) Then, use a square to transfer the location of the center of each hole to the masking tape.



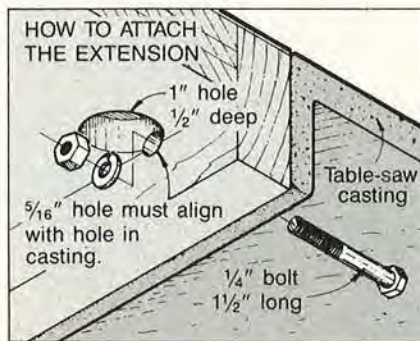
- Step 1** Transfer the centerline of the hole to the masking tape.
- Step 2** With the extension against the saw table, transfer the mark.
- Step 3** With a square, extend the line down the edge of the extension.
- Step 4** Measure the distance from the top of the saw table to the centerline of the existing hole. Transfer that dimension to the table extension.

**2** Temporarily clamp the right half of the main extension to your saw table, using a helper to hold the extension in position. Apply tape to the adjoining surface of the extension and continue the lines onto the extension (Step 2 in drawing). Follow Steps 3 and 4 to finish marking the mounting-hole locations.

**3** Using the Top-View Drawing as a guide, mark the position of the miter-gauge slot extensions and the blade-guard cutout. The slots should extend onto the main extension where shown in the drawing.

**4** Using the method just described for the main extension, clamp the side extension to the saw and mark the mounting holes. Now, unclamp both extensions from the saw.

**5** Drill  $\frac{3}{16}$ " holes through the edge of the extensions where marked. Using a flat-bottomed bit, drill 1" holes  $\frac{1}{2}$ " deep in the bottom of each extension, centered on the  $\frac{3}{16}$ " holes just drilled (see the How to Attach the Extension Drawing, top right).



**6** Cut the slots where marked in the main extension, making them slightly wider and deeper than the existing miter-gauge slots in your saw table. (We cut ours on a table saw using a dado set and chipped some of the laminate. Avoid this by using a carbide-tipped straight bit in your router to make the cuts. Clamp a straight board to the extension as a fence when routing the slots.) Drill  $\frac{3}{4}$ " holes through the extension at the end of each slot, backing the holes with scrap to prevent chip-out. (The holes help eliminate sawdust pileup in the slots.)

**7** Screw the continuous hinge to both sections of the main extension, making sure the ends and top surfaces of each are flush.

**8** Place the side extension, laminate-side down on a work surface. Locate and mark the center point of the router-base recess where shown in the Top-View Drawing. Drill a  $\frac{1}{8}$ " hole at this point. Rout a  $\frac{3}{8}$ "-deep recess to house the router base. Flip the extension right-side up and drill a  $1\frac{1}{2}$ " hole with a hole saw, using the  $\frac{1}{8}$ " hole as a center point.

**9** To mount the router to the bottom of the extension, first remove the plastic base from the router. Place the router into the router recess. Then, mark and drill the router-mounting holes (the ones used to attach the plastic subbase). Countersink the mounting holes from the top side to recess the router-mounting screws slightly below the top of the surface. (The location and size of the screws may vary depending on your particular router.)

**10** Sand the edges of both extensions smooth and apply finish to the exposed banding.

## MOUNTING AND BRACING THE EXTENSIONS

**1** Bolt the side extension to the saw table, checking that the surfaces are flush. (We clamped a straight piece of scrap across the saw table and over the extension to true the two surfaces. We also used slightly smaller nuts and bolts than those used with the original extensions. This allows for minor adjustments when truing the surfaces.)

**2** Bolt the extension to the rip-fence guide rails. (We drilled pilot holes and used lag screws to bolt the rails to the extensions. We also placed washers between the front guide rail and side extension.)

**3** Bolt the main extension to the saw table (be careful not to put a lot of weight on it until you brace it up). Measure the length of conduit needed for the two back braces. Cut the conduit to length.

**4** Using a vise or mallet, flatten the top and the bottom  $1\frac{1}{2}$ " of each of the back braces. Drill a  $\frac{3}{16}$ " hole through the top flattened end and a  $\frac{1}{4}$ " hole through the bottom. Making sure the extension rests level with the saw table, position one of the braces under the back extension.

Bend the flattened ends to fit against one of the legs and the inside edge of I. Drill a hole through the leg, and bolt the brace to the leg, where shown in the Cutaway Drawing. Screw the top of the brace to the underside of the extension. Repeat for the other back brace.

**5** The drop-leaf braces sit flush against the inside edge of banding piece C. Turn one of the nuts and bolts around on the leg assembly, where shown in the Drop-Leaf Brace Detail. The bottom of each brace sits on the exposed nut on the leg. Cut the top and bottom of the side braces at an angle for a flush fit against the piece they will mate with. Position the braces on the nuts and under the hinged extension.

**6** Attach broomstick holders to the bottom of the leaf to store the braces when the leaf is folded down. ♣

Project Design: James Boelling; Randall Foshee  
Photograph: Jim Kascoutas  
Illustrations: Randall Foshee; Bill Zaun

LOOKING FOR THE PERFECT PROJECT TO TACKLE IN JUST AN EVENING

# 1 OAK BREAKFAST

Four-hour project

You can also use this classic serving tray for supper by the TV, appetizers at a party, or desserts on the patio. Box joints and durable oak team up to make this project as tough as it is eye-pleasing.

*Note: You'll need some 1/2" oak for this project. You can resaw your own, or order. See the Buying Guide for our source.*

## BUILDING THE JIG

**1** Build the box-joint jig by first cutting the plywood to size for the fence, and the pine for the stop block to the dimensions shown in the Box-Joint Jig Drawing. Glue and clamp the two pine pieces to make the stop block shown in the drawing at right.

**2** Unplug your table saw. Remove the table insert and trace its outline on a piece of 1/4" hardboard. (Some saws require a thicker insert; simply plane thicker stock if yours does. The top of the insert should sit flush with the surface of the saw table.) Cut and sand the edges until the insert fits snugly in the recess.

**3** Mount a dado blade or dado-blade set to your table saw, and set it to cut 1/4" wide. Position the insert in the saw-table recess, and clamp a piece of scrap 2x4 across, but not directly over, the center of the insert. Plug the saw in and start the motor. Raise the rotating blade so that it cuts through the insert to a cutting height of 5/8". Turn the saw off, and lower the blade back to a cutting height of 3/8". Remove the 2x4.

**4** Clamp the jig fence securely to the miter gauge and square the

miter gauge and jig fence with the dado blade. Run the jig fence across the dado blade to cut the first kerf. Remove the jig fence from the miter gauge, measure over exactly 1/4", and mark the position of the second kerf, where shown in the Box-Joint Jig Drawing. (If your dado cuts a fraction narrower or wider than 1/4", adjust the size of the gap accordingly.)

**5** Refasten the jig fence to the miter gauge. Raise the blade to 1/2" above the surface of the saw table, and cut the second kerf exactly where marked. Cut the guide pin to size and glue it in the first kerf. Remove any excess glue.

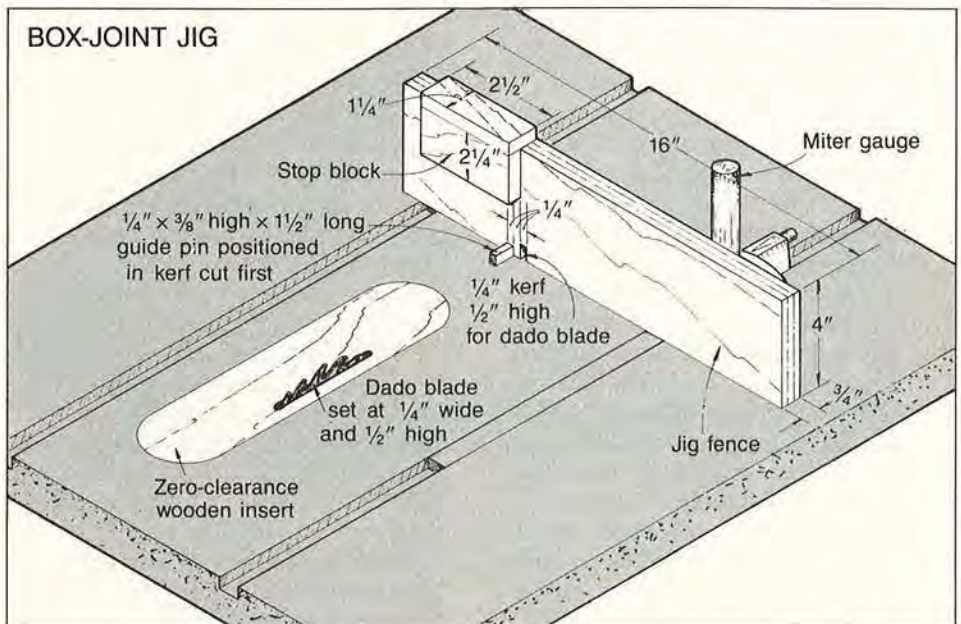
## CUTTING THE BOX JOINTS

**1** Rip and crosscut the two tray sides (A) to 2 1/4 x 24" and the two tray ends (B) to 3 3/4 x 12" from 1/2" oak stock. (The extra width allows for final trimming later.)

*Note: Test-cut box joints in scrap material the same thickness as the tray sides and ends before you cut the ends of A and B.*

**2** To cut the first notch, clamp one of the tray sides (A) to the box-joint jig with the left edge of A perfectly in line with the left edge of the kerf, as shown in the Step 1 Drawing, below right. (We used a stop block as shown to ensure that the edge of the side piece remained square with the saw table when we made the first cut.) Clamp the stop in position, clamp A to the jig, and cut where shown in the drawing. (When clamping A to the jig, make A sit flush on the saw table, not the insert. This will ensure that the notches will all be cut the same depth.)

**3** Reposition A and the stop block so that the notch rests on the guide pin, as shown in the Step 2 Drawing. Make the second cut. Continue to reposition part A and the stop block,



# PROJECTS

OR TWO? WE'VE GOT 'EM!

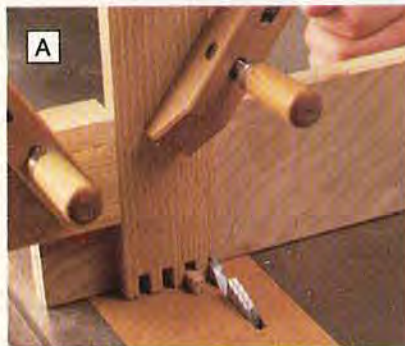
## TRAY

making the cuts as shown in photo A, below right.

**4** Flip A end over end, and cut the notches. Keep the edge that will eventually be the bottom edge of the tray against the stop block when cutting the opposite end. This way, you wind up with a notch on the bottom edge of each end where shown in the Step 2 Drawing. Cut the box joints on the ends of the second A.

**5** To make the first finger, position B tightly against the guide pin where shown in the Step 3 Drawing. Clamp the stop block in position and make the first cut.

**6** Reposition B and the stop block so that the notch sits on the guide pin where shown in the Step 4

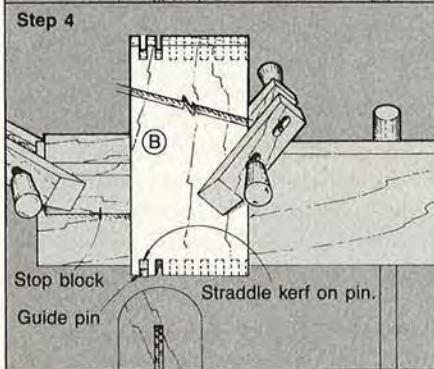
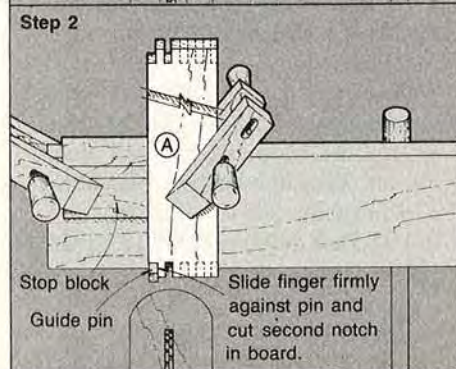
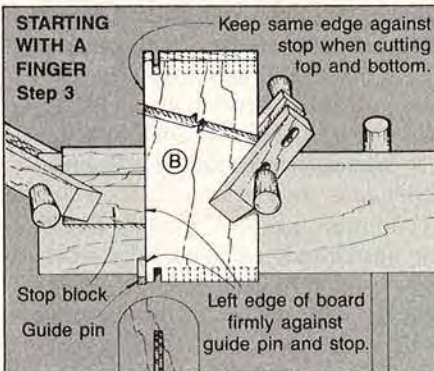
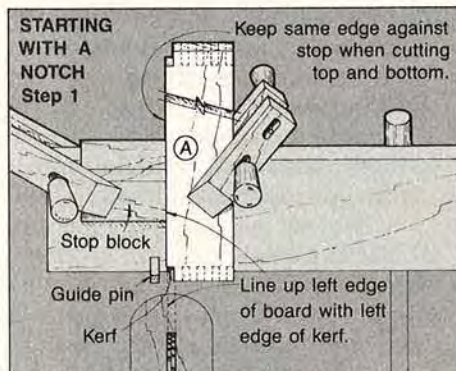


Drawing. Make the second cut, and continue repositioning and cutting. Flip the piece end over end and cut the other end of each B, taking care to keep the bottom edge of B against the stop block.

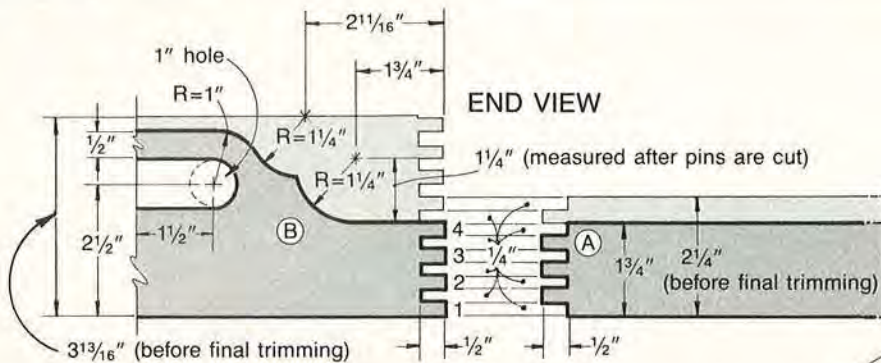
### ASSEMBLING THE TRAY

**1** Using double-faced tape, attach the two end pieces (B) together, keeping the bottom and side edges flush. Lay out and mark the handle shape and opening on one, where shown in the End-View Drawing.

**2** Using a band saw or jigsaw, cut slightly outside the handle outline. Mount a 2½" sanding drum in a drill press. Attach a fence and a stop block to your drill-press table, as shown in photo B. Sand the concave



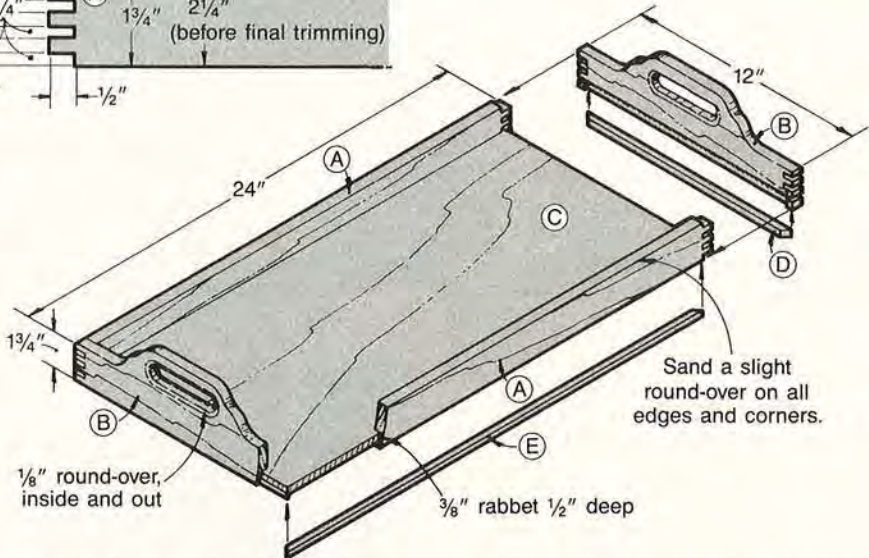
Continued



Bill of Materials					
Part	Finished Size*			Material	Qty.
	T	W	L		
A*	1/2"	13/4"	24"	oak	2
B*	1/2"	3 1/2"	12"	oak	2
C	1/4"	11 3/4"	23 3/4"	oak plywd. (G2S)	1
D*	1/4"	3/8"	11 3/4"	oak	2
E*	1/4"	3/8"	23 3/4"	oak	2

\*Parts marked with an \* are cut larger initially, then trimmed to finished size. Please read the instructions before cutting.

Supplies: stain, polyurethane, #0000 steel wool, double-faced tape, paste wax



edges smooth, being careful not to burn the wood. (The fence and stop block help keep the sanding uniform on all radii.) You can also use the front roller on a belt sander to sand the radii smooth.

**3** Use a drill press with a 1" bit to drill a hole at each end of the handle slot, backing the handle with scrap to prevent chip-out. Use a jigsaw or scroll saw to remove the stock left between the two holes. Sand the inside edges of the slots smooth.

**4** Separate the two end pieces and scrape off any tape residue. Using a 1/8" round-over bit (see the Buying Guide for details), rout both inside edges of the handle slots. (If you don't have a 1/8" round-over bit, hand-sand a slight round-over.)

## FINAL STEPS BEFORE SERVING

**1** Dry-fit the ends and sides together, and mark the finished width on the top edge of the sides against the finished shape of the ends. Disassemble the pieces, then rip the sides to width according to your marks. Sand the parts smooth.

**2** Glue and clamp the sides and ends together, checking for square. Use a damp rag to remove glue squeeze-out from the inside of the corners. To ensure that the tray will sit flat, place waxed paper under the glued box joints, and clamp the tray frame to a flat surface. (We used a small brush to "paint" the glue into the notches. Then we clamped the tray frame to our saw table to keep the frame perfectly flat as the glue dried.)

**3** Rout a 3/8" rabbet 1/2" deep along the inside of the bottom edge of the tray using a router with a 3/8" rabbeting bit. (We made two passes using a table-mounted router, raising the bit for the second pass to achieve the 1/2" depth needed.) Use a sharp chisel to square out the rabbets in each of the four corners.

**4** Cut the bottom panel (C) to size from 1/4" oak plywood. Check the fit of the panel in the rabbet in the tray frame, and trim if necessary.

**5** From 3/4" oak stock, rip enough 1/4" x 3/8" strips to yield the bottom panel stops (D, E). Miter-cut the panel stops to finished length. With the bottom panel in place, glue

and clamp the stops in place. Wipe off glue squeeze-out with a damp rag.

**6** When the glue dries, finish-sand the tray. Be careful when sanding the box-jointed corners not to burn the exposed end grain. Hand-sand the handle opening until it is smooth to the touch. Then sand a very slight round-over on all edges to break the sharp edges. Apply stain, followed by two coats of polyurethane. For added protection and a satiny feel, apply paste wax.

## BUYING GUIDE

● **Oak.** 1/2" stock, \$13.61 for 5 1/2 x 48" piece. Stock no. W4074. Craftsman Wood Service Company, 1735 W. Cortland Ct., Addison, IL 60101. Or, order by phone: 312/629-3100.

● **Router bits.** 3/8" rabbeting bit, 1/4" shank. Catalog no. TF32100, \$22.10. 1/8" round-over bit, 1/4" shank. Catalog no. TF34104, \$22.45. Trendlines, 375 Beacham St., Chelsea, MA 02150. Call 800/343-3248 to order.

Project Design: David Ashe for The Workshop Blueprint Company  
Photographs: Hopkins Associates  
Illustrations: Randall Foshee, Bill Zaun

# 2 ROUTER SPECIAL TIE RACK

One and one-half hour project



They're almost too easy to be true. You simply make the hardboard template, fit your table-mounted router with a flush trim-bit, and rout away. With our template, you can mass-produce two, 20, or 200 tie racks.

## START WITH THE TEMPLATE

**1** Using a compass, draw a 9" circle ( $4\frac{1}{2}$ " radius) on a piece of  $\frac{1}{4}$ " hardboard. Draw a line through the center point of the circle. Using the centerline just marked and the Hardboard-Template Drawing as a guide, transfer the shape of the tie-rack template to the hardboard where shown on the drawing. (After marking the centerline, we used a square to make lines perpendicular to it for the closet-pole opening and the tie slots.)

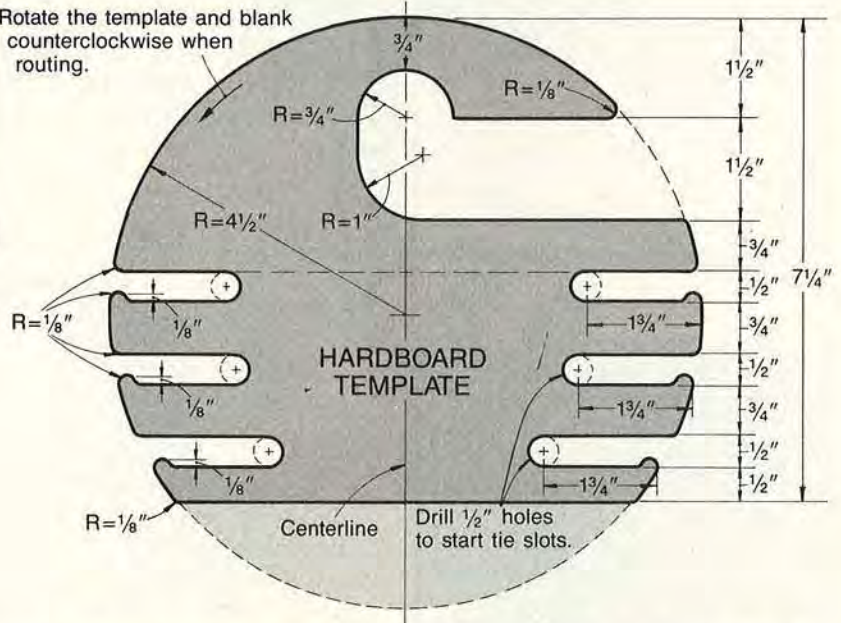
**2** Drill  $\frac{1}{2}$ " holes through the hardboard where marked. Using a scroll or band saw, cut the hardboard template to shape.

**3** Sand the edges of the template smooth. (Don't rush! The quality of each tie rack depends on how smooth you make the template.)

## ROUTING THE TIE RACK

*Note: The three-ply,  $\frac{1}{8}$ " Baltic birch plywood we used for the racks is strong, lightweight, and routs well with a minimum of chipping.*

Rotate the template and blank counterclockwise when routing.



**1** Cut the plywood slightly larger than the template, being sure to keep the face grain running horizontally across the blank.

**2** Using double-faced tape, stick the hardboard template to the Baltic birch blank.

**3** Fit your table-mounted router with a  $\frac{1}{4}$ " flush-trim bit. Raise the bit above the surface of the router table, so that the pilot rides on the blank where shown in the Routing Drawing, below.

**4** Start the router and, beginning at the edge of the blank, push the bit

through the stock until the pilot of the bit comes in contact with the template. Rotate the template and blank counterclockwise, keeping the pilot of the bit against the template.

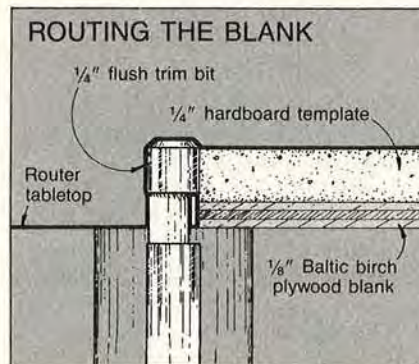
**5** Separate the tie rack from the template and sand the routed edges smooth. (We hand-sanded the edges with 220- and 320-grit sandpaper to prevent snagging any ties.) Apply a minimum of two coats of polyurethane finish.

## BUYING GUIDE

● **Flush-trim bit.**  $\frac{1}{4}$ " shank,  $\frac{1}{4}$ " cutting edge,  $1\frac{1}{2}$ " overall length. Catalog no. TF66100, \$6.60. Trendlines, 375 Beacham Street, Chelsea, MA 02150, or phone 800/343-3248 to order.

●  **$\frac{1}{8}$ " Baltic birch plywood.** Five  $10 \times 10$ " squares for \$10 ppd. Trimcraft Aero, Inc., P.O. Box 27, Lyons, WI 53148. Or call 414/763-3036.

Project Design: Randall Foshee  
Photograph: Jim Kascoutas  
Illustrations: Bill Zaun; Randall Foshee



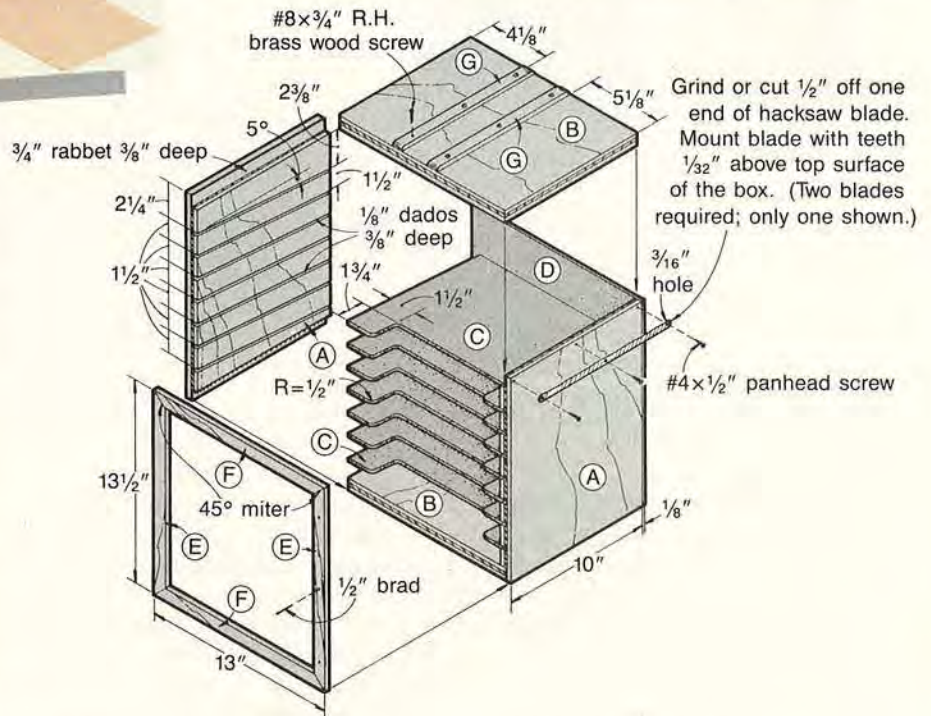
# 3 SANDPAPER STORAGE BIN

Two-hour project

Keep sheets of varying grits at your fingertips with this handy bin. Quick-grip shelf cutouts, angled shelves, and a paper-tearing device mean less fumbling and faster finishing.

Bill of Materials					
Part	Finished Size			Material	Qty.
	T	W	L		
A	3/4"	10"	13 1/2"	plywood	2
B	3/4"	10"	12 1/4"	plywood	2
C	1/8"	10"	12 3/16"	hardboard	7
D	1/8"	13"	13 1/2"	hardboard	1
E	1/8"	3/4"	13 1/2"	birch	2
F	1/4"	3/4"	13"	birch	2
G	1/4"	3/4"	10"	birch	2

**Supplies:** #4 x 1/2" panhead screws, #8 x 3/4" roundhead brass wood screws, 1/2" brads, 2-10 3/8" hacksaw blades, paint, oil finish, wood putty



**1** To build the box, cut the plywood frame parts (A, B), the hardboard shelves (C), and the hardboard back (D) to the sizes indicated in the Bill of Materials. Mark and cut the cutouts in the front of each shelf, rounding the corners where shown.

**2** Measure, mark, and cut the dados and rabbets in the sides (A) where dimensioned in the drawing. (To cut the dados for the shelves, we first aligned our radial-arm saw blade with the 5°-angled lines that we just marked. To dado the left side, angle the blade left of center, and for cutting the right side, angle the blade right of center. You could cut the dados on your table saw with a miter gauge fitted with an auxiliary fence.) Glue, clamp, and

nail the box assembly together.

**3** Sand the box. Then paint or finish it to match your shop cabinets.

**4** Miter-cut the facing strips (E, F) to length, finish-sand, and attach them to the box with glue and brads. Set the brads and fill the holes.

**5** To make the paper-tearing device, first grind the two hacksaw blades to 10" in length. Then, drill a 3/16" hole in the ground end and one in the center of each blade (the blade comes with the third hole pre-drilled). Drill pilot holes and screw a blade to each side of the box.

**6** Cut the tearing guides (G) to size, finish-sand, and attach them to the top of the box where indicated. (The right guide is 5 1/2" from the right edge of the box, and the left guide is

4 1/2" from the left edge.) When the guides are mounted where shown, you can halve and quarter a standard sheet of sandpaper to fit most palm-grip sanders. Apply an oil finish to the facing strips.

### TEARING SANDPAPER TO SIZE

Position a full sheet of sandpaper with the short (9") side against the right-hand guide. Holding the piece firmly against the guide, slowly tear the paper by pulling it down across the hacksaw blade. Now, position the resulting half with the short side against the left-hand guide and tear it in half on the other blade.

Project Design: Marlen Kemmet  
 Photograph: Bob Calmer  
 Illustration: Randall Foshee; Bill Zaun



# 4 PARROT MAGNETS

Three-hour project

Whenever you can build one project and end up with three, THAT'S GOOD. These birds of a different feather make great little gifts, and you can bet they'll get plenty of use, too.

**1** Edge-join enough wood strips for two  $4\frac{3}{4} \times 6\frac{3}{4}$ " laminations to form the bottom two layers shown in the drawing. Or, simply use a single piece of a different type of wood for each of the three layers. (Don't be afraid to try your own combination of woods and veneers.)

**2** After the glue has dried, remove the clamps and plane or resaw all three layers to  $\frac{3}{8}$ ". Temporarily join the three layers atop each other with several thin beads of hot-melt adhesive or double-stick tape.

**3** Using carbon paper, transfer the Full-Sized Pattern onto the top board. Then cut out the parts with a scroll saw or a band saw with a fine-toothed blade.

**4** Separate and intermix the parts to obtain the desired color combinations for each of the three parrots. Sand the backs of the parts smooth, removing any tape gum or hot-melt adhesive. (We sanded the backs by hand, using 150-grit paper mounted on a sanding block.)

**5** Round-over the front edges of the parts on a belt sander or sanding drum. Be sure to wear a dust mask and rubber finger pads (sold at office supply stores). Sand each front edge *just* to the back edge (further sanding creates voids between the parts when gluing the parrot together). Sand-shape the top of each piece completely to eliminate flat surfaces.

**6** Finish-sand the parts. (We sat down and placed a palm-grip sander between our knees. Then we started the sander and rolled the parts from side to side. Finally, we hand-sanded each part to obtain a smooth surface.)

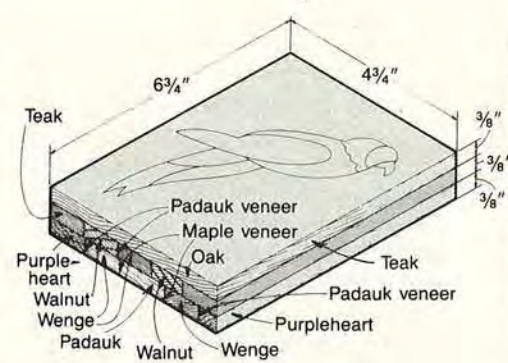
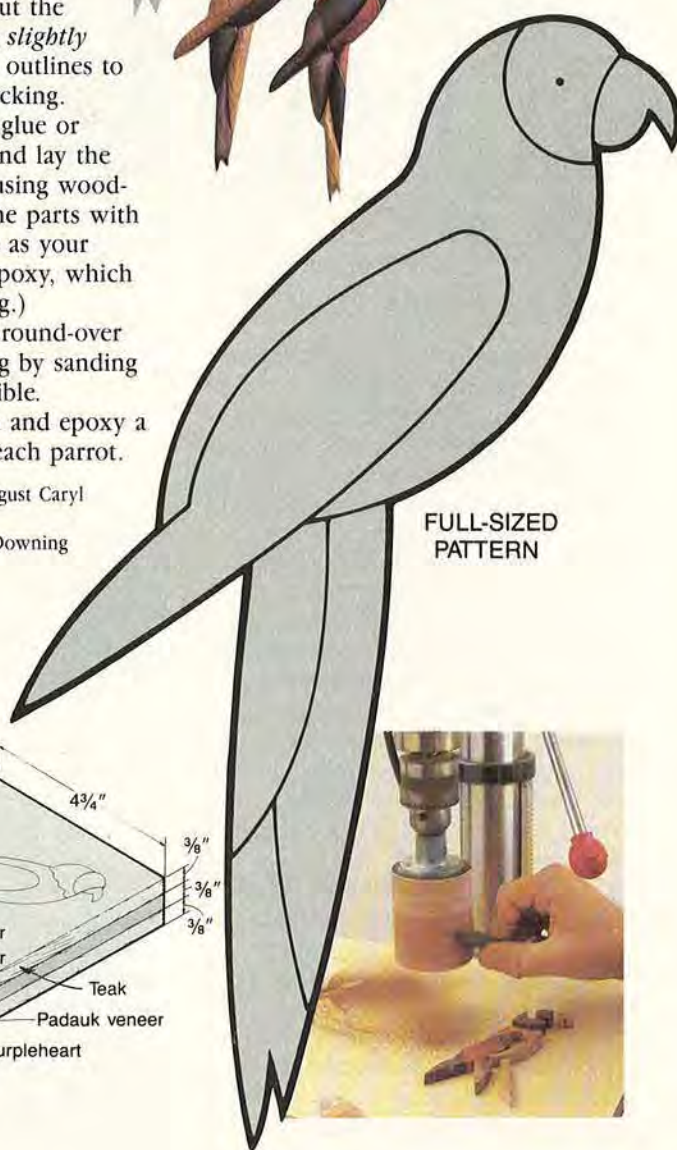
**7** Position the parts on a scrap of  $\frac{1}{8}$ " plywood or other thin stock and again trace the outlines of the three parrots. Remove the parts and cut the patterns on the backing *slightly smaller* than the traced outlines to hide the sides of the backing.

**8** Place woodworker's glue or epoxy on the backing and lay the parts into position. If using woodworker's glue, weight the parts with a flat heavy object such as your wife's iron. (We used epoxy, which doesn't require clamping.)

**9** After the glue dries, round-over the edges of the backing by sanding to make it even less visible.

**10** Rub in an oil finish and epoxy a magnet to the back of each parrot.

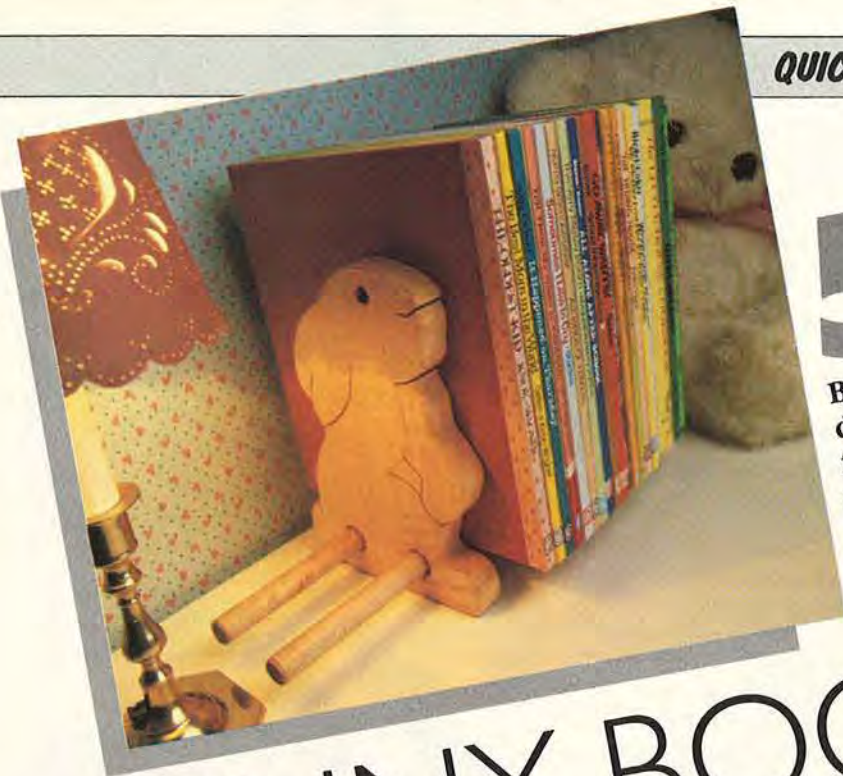
Project Design: Karen and August Caryl  
Photographs: Bob Calmer  
Illustrations: Bill Zaun, Kim Downing





5

Books on the floor, books galore! Help your favorite youngster keep his or her mini library in order with these wooden bunnies. The bookends slide on two dowels to organize just a few books or a bunch.

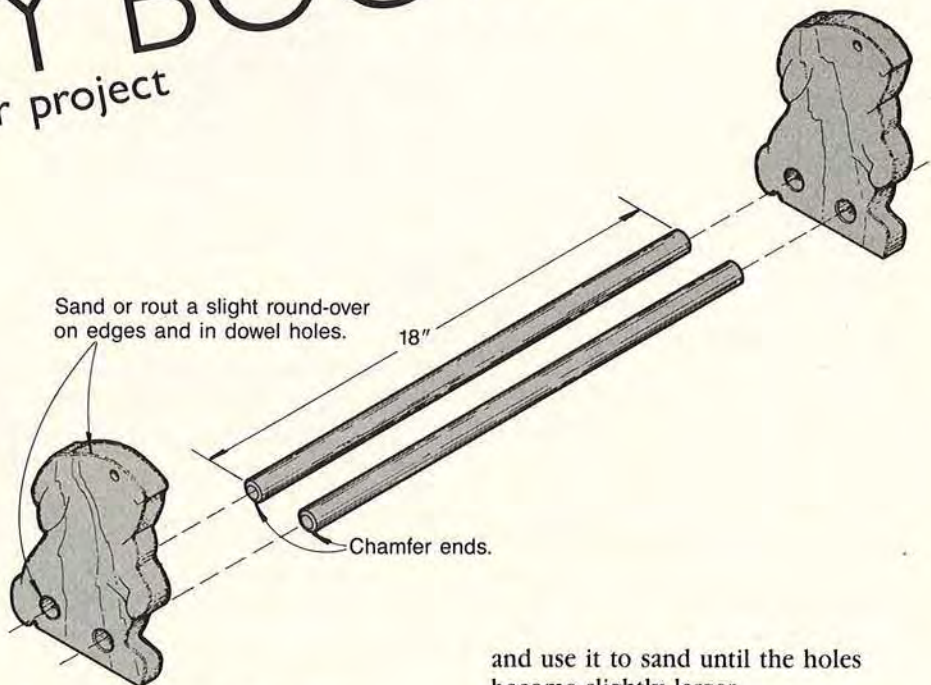


# BUNNY BOOKENDS

One and one-half hour project

*Note: Use the full-sized pattern on page 76 for ease in layout.*

- 1** Cut two pieces of clear stock to  $\frac{3}{4} \times 6\frac{1}{2} \times 9$ " each. (We used maple, but most any hard- or softwood will do.)
- 2** Use carbon paper to transfer the full-sized bunny pattern, detail lines, and hole locations shown on page 76 to one of the maple pieces. Stick the two pieces together, face to face, with double-faced tape or hot-melt glue (remember to keep the pattern on the outside). If you use hot melt, run a bead near the edges of one of the maple pieces. Be careful to keep the glue *outside* of the outline. Then, stick the two pieces together, with the edges flush.
- 3** Cut the bunny outline and detail lines with a scroll, band, or jigsaw. (We used a band saw with a fine-toothed  $\frac{1}{8}$ " blade.)
- 4** Drill  $\frac{3}{8}$ " holes for the bunny's eyes and  $\frac{5}{8}$ " holes for the dowels through both layers of wood. Back the pieces with scrap board to prevent chip-out when drilling.



- 5** Carefully pry the two pieces apart, and remove the tape.
- 6** Sand or rout a slight round-over on all outside edges of each bunny and inside the  $\frac{5}{8}$ " dowel holes. Finish-sand each bookend smooth.
- 7** Cut two pieces of  $\frac{5}{8}$ " dowel to 18" in length. Sand a slight chamfer on the ends of each dowel. Hand-sand each dowel so that it slides smoothly in the  $\frac{5}{8}$ " holes. If the dowel fits too tightly in the  $\frac{5}{8}$ " hole, wrap sandpaper around a  $\frac{1}{2}$ " dowel

- and use it to sand until the holes become slightly larger.
- 8** Apply the finish of your choice to the bookends and dowels, and let them dry before assembling. (We hand-rubbed ours with a coat of mineral oil, and let the pieces dry for a few days.)
  - 9** After the finish dries, assemble the project. Position books on the dowels and slide the bookends together. 🐰

Project Design: Sharon Sprague  
 Photograph: Hopkins Associates  
 Illustrations: Randall Foshee; Bill Zaun

# BAND SAW BLADES

WELDED TO YOUR EXACT LENGTH

WIDTHS    TEETH    PRICE/INCH

1/8" thru 5/8"    3 thru 32    \$.05

## COMPLETE BAND SAW BLADE LINE INCLUDING SAW MILL BLADES

TO FIGURE PRICE:

Inch Length x Price/Inch + \$1.85 Weld Charge

MINIMUM ORDER \$10.00. Add \$2.50 per order for packing and shipping. MasterCard and VISA accepted.

TO ORDER Phone or write to:

## BUCKEYE SAW COMPANY

P.O. Box 14794, Cinti., OH 45214  
1-800-543-8664 (Except Ohio)  
1-513-621-2159 (In Ohio)



## BUILD THIS MINI-BARN

Measuring a spacious 12 x 18 ft., our little shed lets you house garden tractor, yard tools and lawn furniture. BONUS: Plans include a workbench you can build. Send \$14 ppd. for plans. Catalog of country furniture plans costs \$1 (free with Barn plans order). Allow 4 weeks.

HAMMERMARK ASSOCIATES,  
Box 201, W8, Floral Park, NY 11002.

## Wood Moisture Meter

- Avoid Moisture Problems
- Protect your Masterpiece

### Mini-Ligno \$110 only

Pocket-Size: 1 1/2" x 5/8"  
Incl. Case, Batteries, and Pins for 1/8" and 1/4" Measuring Depth.

### also from Lignomat: Mini-Ligno E

Range: 6, 7, ...36%

Easy to use, sturdy instrument for the professional woodworker or serious hobbyist. Great for lumber, veneer, fiberbrds. Ask for free catalog on all moisture meters and accessories for kiln drying. Don't waste money, time on wet wood, order a moisture meter now.



Lignomat USA Ltd.

503-257-8957 800-227-2105

P.O. Box 30145 bh  
Portland, OR 97230

EXTENSIVE EXOTIC & DOMESTIC INVENTORY    DOUSSIE    FLITCH-CUT LUMBER OUR SPECIALTY

AFRORMOSIA		ZEBRAWOOD	
AMAZAKOUE			
PURPLEHEART	GONCALO ALVES		
MORADO	ANDIROBA		
BUBINGA	IMBUYA		
PADOUK	PALDAO		
WENGE	SAPELE		
RED OAK	WHITE OAK		
CHERRY			
POPLAR		THIN WOOD FOR SMALL PROJECTS	
WALNUT			

THICK VENEERS FOR BENDING    ARCHITECTURAL QUALITY EXOTIC & DOMESTIC VENEERS  
For the World's Finest Lumber & Veneer at Reasonable Prices send \$1.00 for Brochure & Price List to:  
WYNDHAM WOODS, P.O. Box 506  
Ellettsville, IN 47429 / PH. 812-334-7735

## LAMINATED Southern Pine TABLE TOP

Make your own  
Woodworker's Bench

For information write:  
Southern Pine, Box 1056  
Bay Minette, AL 36507

# PEG

TEN POUNDS IN A PAIL!

by *Pitco*

Box 1328  
Pittsburg, KS 66762  
316-231-0000

Complete Catalog—124 Pages  
\$4.00. . . Reimbursed on first order

### SHAKER PEGS CANDLE CUPS MUG PEGS

\$17.95 per 100, prepaid.  
Wide selection of other wood products.

Catalog \$2.00 or free with order.

### Benny's Woodworks

P.O. Box 656, Dept. WD1  
Antioch, TN 37013  
(615) 331-8384



Shaker Peg

Mug Peg



## What's a JOINT-MATIC 4200?

A Joint-Matic 4200 is the unique system in joinery that is so advanced in design and simplicity that set up time has been all but eliminated.

Now in minutes make precision Mortise, Tenon, Sliding and Through Dovetails, Box Finger Joints and much more.



For Your Brochure, Please Send \$2.00 to:

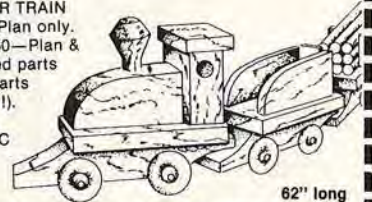
**Strong** TOOL DESIGN

20425 Beatrice  
Dept. W  
Livonia, MI 48152

## MAKE TOYS & WOOD PROJECTS

### 7 CAR TRAIN

\$6—Plan only.  
\$27.50—Plan & turned parts (92 parts in all).  
Visa & M/C

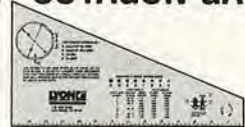


62" long

100's of plans, kits, colored & unfinished hardwood parts for toys, crafts & furniture; plus tools, wood, finishes & supplies. Bulk prices available. Color catalog subscription \$1. (614)484-4363

Cherry Tree Toys, Box 369-9, Belmont, OH 43718

## 22 1/2° OCTAGON GAUGE



TO SET MITER TO SAW BLADE FOR 22 1/2° CUT. HARDENED ALUMINUM GAUGE HAS OCTAGON FORMULAS AND 14" RULER SCREENED ON. ALSO SCREW CHECKER AND INFORMATION.

**\$7.95**

Plus \$2.00 Handling and Shipping

California residents add 6% sales tax. Send check or money order to:

**LYON**

ELECTRIC COMPANY, INC.

P.O. BOX 81303    SAN DIEGO, CA 92138

## Van Dyke's

Presents a  
Catalog

with supplies for upholstery, antique restoration, wood working, caning, brass hardware, carvings and many related trades!

36 Years in Creative Arts & Trades

Many Hard-To-Find Items!

SEND \$1.00 FOR CATALOG TO:

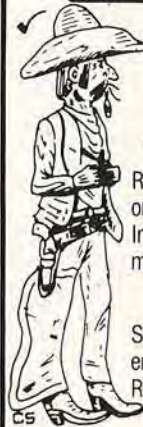
**Van Dyke's Restorers**

Dept. D55 - Woonsocket, SD 57385



## National Carvers Museum

LEARN  
WOODCARVING  
AT HOME

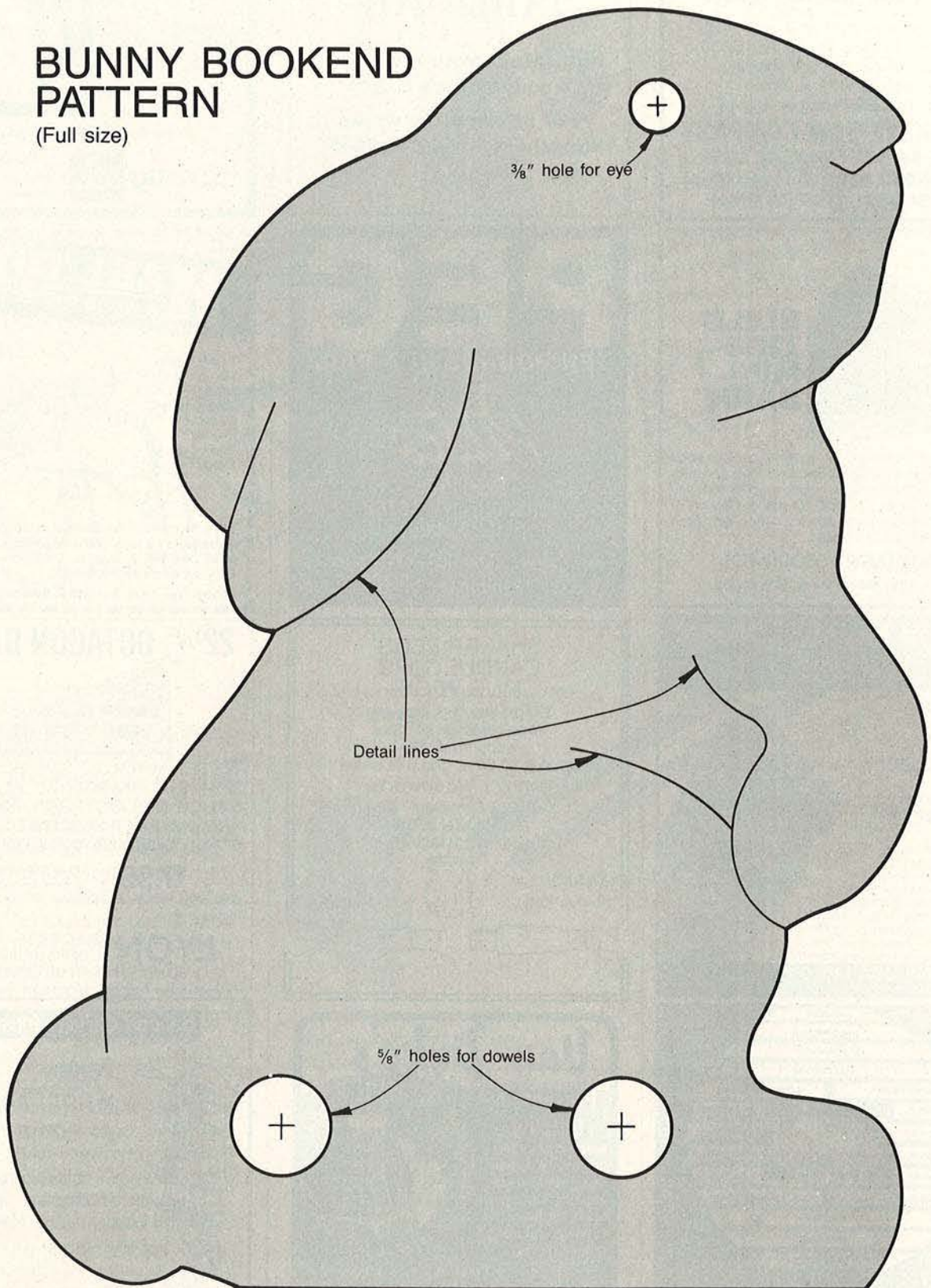


Receive sample instructional pack on whittling and woodcarving. Includes copy of *Mallet* monthly magazine.

Send \$1.00 to The National Carvers Museum, 14960 Woodcarver Rd., Monument, CO 80132.

# BUNNY BOOKEND PATTERN

(Full size)



**The only thing small about this bandsaw is the price!**



The new BS-3 Benchtop Bandsaw is BIG...BIG in capacity, performance, convenience *and* quality...yet it takes up just 1½' x 3' of bench space. Its built-in disc sander adds the BIG advantage of sanding right on the saw. BIG 15" throat. BIG 6¾" cutting depth. BIG quiet-running 3-speed motor has plenty of power for Wood, Metal or Plastic. BIG 16" x 18" worktable tilts up to 45°. This BIG 86 lb Benchtop Bandsaw comes with a built-in vacuum hook-up, a BIG list of accessories (drum and belt sanding, and more) ...and BIG Buyer Protection.

**emco USA**

Dept. BW76B • 2080 Fairwood Ave.  
P.O. Box 07795 • Columbus, OH 43207

**1-800-521-8289**  
(In Ohio: 614/445-8382)

Call or write today. If you think that high quality has to mean high price ...you're in for a real surprise.



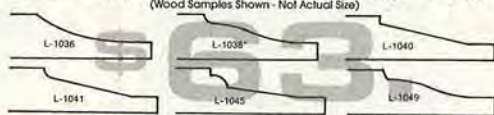
**'Low Cost Cutters'®**

Three Wing, Carbide Tipped Shaper Cutters with 3/4" bores.

MADE IN U.S.A.

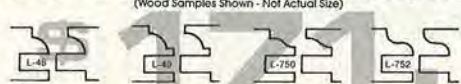
(Bushings available to reduce bore to 1/2")

**Carbide Tipped Raised Panel Shaper Cutters**  
(Wood Samples Shown - Not Actual Size)



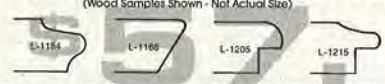
Ball Bearing Rub Collar For Raised Panel Cutters (#L-884) - \$16.20.

**6 Piece Carbide Tipped Stile & Rail Shaper Cutters**  
(Wood Samples Shown - Not Actual Size)

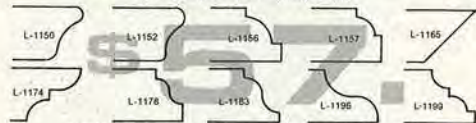


Ball Bearing Rub Collar For Raised Panel Cutters (#L-884) - \$16.20.

**Carbide Tipped Door Lip Shaper Cutters**  
(Wood Samples Shown - Not Actual Size)



**Carbide Tipped Detail Shaper Cutters**  
(Wood Samples Shown - Not Actual Size)



3/4" to 1/2" Bushings For Stile & Rail Cutters - \$12.00 Per Set.  
3/4" to 1/2" Bushings For ALL Cutters EXCEPT Stile & Rail Cutters - \$9.00 Per Set.

**SATISFACTION GUARANTEED**

Make Payment Payable to:  
L. R. Hubert Saw  
P. O. Box 61  
Reseda, California 91335  
818 / 782-0225

**ORDER FORM** Simply Submit A Note Describing The Item(s) Desired. California Residents, Please Add Sales Tax - ALL ORDERS SHIPPED U.P.S. - PREPAID Method Of Payment:  Cashier's Check or Money Order  VISA  MASTERCARD

Card # \_\_\_\_\_ Exp. Date \_\_\_\_\_  
Name \_\_\_\_\_  
Address \_\_\_\_\_  
City \_\_\_\_\_ State \_\_\_\_\_ Zip \_\_\_\_\_  
Credit Card Signature \_\_\_\_\_

**A forest fire is no picnic.**



**Turning into a better craftsman can be as simple as turning the pages of our new catalog.**

Our new 244 page catalog is filled not just with pictures of great hand and power tools, but carefully written specs, detailed illustrations and recommendations from craftsmen who've spent much of their lives making, using and testing tools.

You'll know what they look and feel like, and you'll know how they fit your needs.

We believe you're not the average craftsman. So why should we give you an average catalog?



Garrett Wade Co., Dept. 119  
161 Ave. of Americas, N.Y., N.Y 10013  
Please send me your 244 page catalog of wood working tools, machinery and accessories. Enclosed \$3.00.

Name \_\_\_\_\_  
Address \_\_\_\_\_  
City \_\_\_\_\_  
State \_\_\_\_\_ Zip \_\_\_\_\_

**HUMFREY'S FOR EXCALIBUR II**



**SUMMER SALE!**  
MENTION THIS AD WHEN YOU ORDER.  
**SAVE \$50.**  
(Sale ends August 31/86)

**EXCALIBUR II PRECISION SCROLL SAW**

- 1400, 800 & 400 Strokes/PM
- 19" throat, up to 2" thick
- Accepts all 5" blades
- Table tilts 45° left & right
- Cuts wood, plastics, metals etc.

FREIGHT UPS PREPAID  
SUMMER SALE  
**\$445. U.S.\***  
~~\$495. U.S.\*~~  
NO OTHER CHARGES  
\*Electrics extra

HUMFREY'S ORDER PHONE IN THE U.S. CALL TOLL FREE  
**1-800-387-9789**

VISA MasterCard

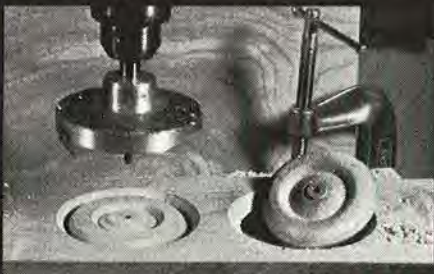
**J. Philip Humfrey International**

3241 Kennedy Road, Unit 7 Department WM 7/86  
Scarborough, Ontario M1V 2J9 (416) 293-8624

Please rush me details of the EXCALIBUR II Precision Scroll Saw.

Name \_\_\_\_\_  
Address \_\_\_\_\_  
City \_\_\_\_\_ State \_\_\_\_\_ Zip \_\_\_\_\_

# WHEEL-RIGHT Wheel Maker



Never before possible a professional wheel maker that allows you to quickly mass produce detailed quality wooden wheels at a low low cost. Also turn out Rosettes and YoYo's. \$59.95 plus \$2.00 shipping and handling

## The Tool Company

1306-G South Commercial  
P.O. Box 629, Dept. BHG-10  
Harrisonville, MO 64701  
(816) 884-2679

Mo. Res. add 5.625% Sales Tax

# Sleeveless DRUM SANDER

NO PRE-MADE SLEEVES TO BUY

ECONOMICAL — Simply cut sandpaper from standard size sheets  
UNIQUE — Twist of key tightens sandpaper to drum.  
SPONGE RUBBER backing insures long wear of sandpaper



1" x 3" long ..... \$13.50  
2" x 3" long ..... \$15.50  
2 1/2" x 3" long ..... \$16.00  
3" x 3" long ..... \$17.50  
1" and 2 1/4" Above \$27.00  
Above 4 Drums \$55.00

3/4" x 3" long ..... \$14.50  
2 1/2" x 4 1/2" long ..... \$21.00  
3" x 4 1/2" long ..... \$22.50  
2 1/2" x 6" long ..... \$25.50  
3" x 6" long ..... \$27.50  
Add \$2.50 Per Order For Shipping

### AVAILABLE WITH:

1/2" Bore with 1/2" or 1/4" shaft  
1/2-20 RH Thread except 3/4" x 3"  
3/4" Bore except 1/4" x 3" and 2" x 3"

USE ON:  
Drill Press  
Small Motor  
Lathe, Combo-Tools,  
Radial Saw, 1/4" Drill



Send Check or Money Order to:

## SINGLEY SPECIALTY CO. INC.

P.O. BOX 50878, GREENSBORO, N.C. 27403  
CALL: (919) 852-8581

# Full Size Plans



Toddlers love riding Charlie Horse. He is 11 x 22 x 26 high & easily built of pine. Plan-335 ..... \$4.50

Jib Crane swivels on ball bearings and has two working hand controls. Height 24". Plan-319..... \$4.00



Our great collection of five toy vehicles is easily built with hand & power tools. Trailer is 18" long & 7" tall. Plan-18004..... \$8.50

Add postage 50¢ per plan. NY Res. add tax. Catalog \$1.00—Free with plans. Phone (516) 462-6228 We accept Visa & MasterCard orders if over \$15.00

ARMOR, Dept. L, Box 445, E. Northport, NY 11731

# SIGNCARVING IS PROFITABLE!



And it's easy, if you use the Marlin Woodcarvers and accessories. You can carve signs quickly at home or at swap meets. The machines do the work, the operator has the fun and profits.

No Special Training Is Required!

SEND \$1.00 FOR OUR BROCHURE AND PRICE LIST, AND BEGIN TO PLAN YOUR FULL OR PART-TIME BUSINESS.

Fine Carving Machines Since 1971

## MARLIN INDUSTRIES

1911 OBI/SPO AVE., DEPT. D608  
LONG BEACH, CA 90804  
(213) 498-0767



# TEST YOUR IMAGINATION

Create Any Hollow Cylindrical Shape up to 12" dia. Cut flat wood into straight or angle rings, stack rings, glue, sand, & finish, All on your Ring Master.

ORDER YOUR FREE BROCHURE TODAY

1-800-854-9815

In Florida 305/859-2664



We accept Master Card, Visa, C.O.D. and phone orders

P.O. Box 8527A, Orlando, FL 32856

RING MASTER



"IF YOU BUY A  
**GENERAL**

WOODWORKING MACHINE SOMEWHERE ELSE YOU'LL PROBABLY PAY TOO MUCH!"  
J. Philip Humfrey

Every General machine receives and is shipped with Humfrey's all-points inspection report.

CALL TOLL FREE 1-800-387-9789

#350  
10" Table Saw  
\$1345. US FREIGHT COLLECT  
3 HP motor, Magnetic switch

#160-2  
Variable Speed Lathe  
\$1095. US FREIGHT COLLECT  
1 HP motor, Manual switch

#1180-1  
6" Jointer  
\$765. US FREIGHT COLLECT  
1 HP motor, Manual switch

#490-1  
15" Bandsaw c/w Base  
\$845. US FREIGHT COLLECT  
1 HP motor, Manual switch

SIMILAR SAVINGS ON OTHER GENERAL MACHINES

## J. Philip Humfrey Ltd.

We sell more General year after year - the reason is value - we satisfy our customers!

CATALOG \$2.00 (Refundable from order)  
3241 KENNEDY ROAD, UNIT 7  
SCARBOROUGH, ONTARIO M1V 2J9



## A Complete New Combination Kit for Whittling and Carving By WARREN TOOL CO., INC.

BASIC WOODCARVING



Basic Woodcarving lesson book, prepared by the National Carvers Museum, teaches and illustrates proper carving techniques through

clear instructions and simple projects.  
#COMBI-TCE \$79.95 + \$2.25 p&h  
OUR FINEST COMBINATION WHITTLERS AND CARVERS KIT  
Contents: 1 Redwood Box, 1-#CWH-R Rosewood handle, 1-#L-Palm Walnut handle, (one each) #PTV-1, #LBG, #SBG, #PTV-2, #STC, #STG, #SFTG, #SKU, Gouges, 1-#LD2 (Large Blade), #6SBL (6-Small Blades), 1-Leather Strop Block, 1-Abrasive Paper Block, 1-Instruction Booklet. All blades and gouges sold in their own plastic storage tubes to avoid damage to these honed ready-to-use tools.

WARREN TOOL CO. INC.

Rt. 1, Box 14A-W, Rhinebeck, NY 12572

Catalog 60¢ FREE with order • (914) 876-7817

N.Y. residents add 5.25% sales tax • Foreign shipping: \*all foreign orders (including Canada) send MO in US funds plus additional \$1.75 for P&H.

# THE MILLWRIGHT

**S**top sometime where an old road crosses a river. Look upstream. With luck, you'll spot the ruins of an old, water-powered mill.

There, in days long past, stood the equivalent in oak of a 40-ton Swiss watch: A wooden machine that harnessed energy from the river and directed it to spin a millstone for pulverizing grain or pull a saw blade to make planks from timber.

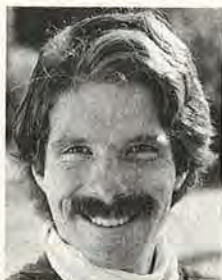
Few wood craftsmen faced the Herculean challenges of perhaps the most pragmatic tradesman of early America—the millwright. Simply moving the huge timbers, a single one of which would outweigh a brace of oxen, called for extraordinary ingenuity. Despite the immense size of the timbers needed for the huge waterwheel, axle, and gears, the joints between them had to be perfect, with no play at all.

To appreciate the millwright's task, let's journey to the America of 1700.

## A stout heart of oak—the axle

A mill could do nothing without its waterwheel, and the waterwheel nothing without its axle. The axle, the mill's real heart, had to support the 4-ton dead load of the wheel and the force of the rushing water as well.

Only heart of white oak would do



**By Roy Underhill**

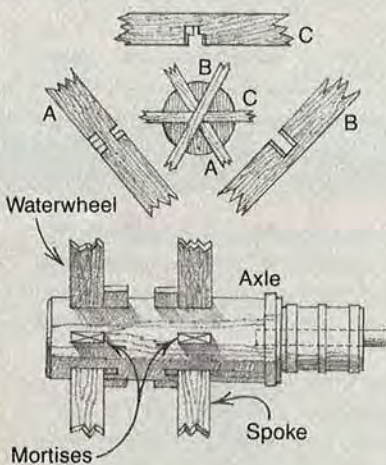
Master housewright at Colonial Williamsburg and host of the popular PBS series *The Woodwright's Shop*, Underhill is also an author and lecturer.



For grinding or sawing power, the mill used huge gears driven by the river. This mill still stands at Phillipsburg Manor, Upper Mills, North Tarrytown, N.Y.

### WATER AND PIT WHEEL ASSEMBLY

The millwright made the waterwheel and pit wheel by lap-jointing three timbers (A, B, C) for each component inside the oak axle.

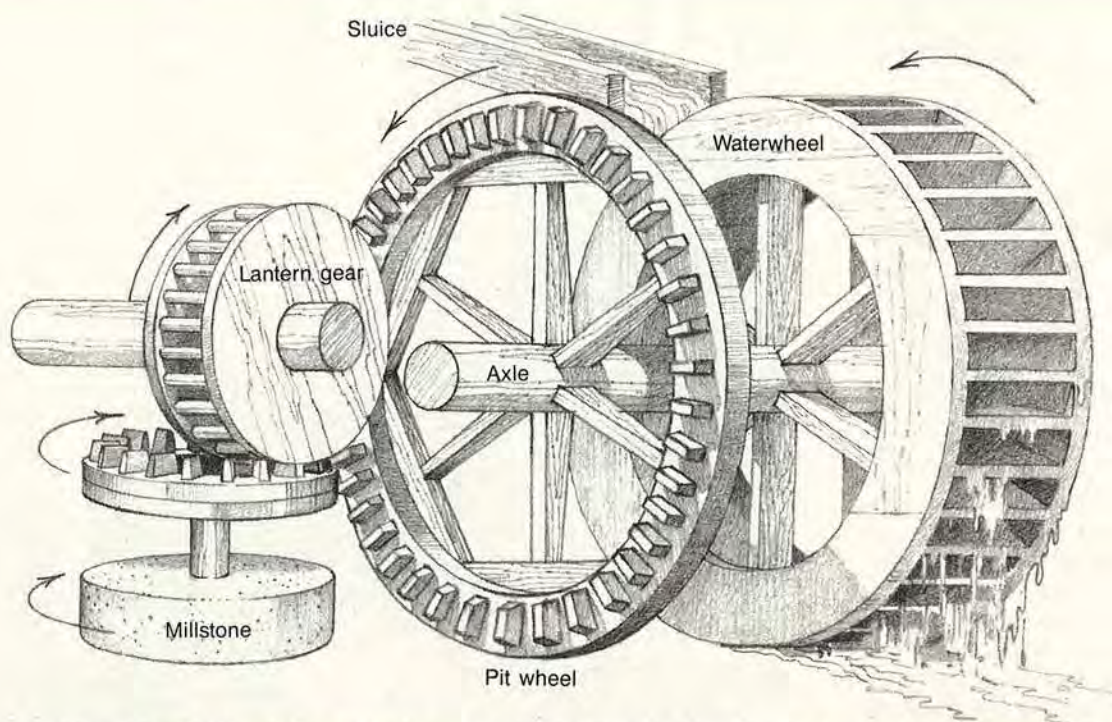


for the all-important axle—2' in diameter, 18' long. One could plant a field of corn and see it come up in the time it took to hew such a timber. A man could see his children half-grown before it was seasoned. The timber had to be extraordinarily stout because it served two purposes.

Unlike the familiar role of the carriage axle, the axle of a waterwheel also acted as its hub. To accomplish this dual purpose, millwrights long ago developed a unique joint. By interlocking three long timbers inside the huge axle, they made an extraordinarily strong, six-spoked wheel (see drawing, *left*).

Where the timbers crossed at their midpoint, the millwright cut lap joints. This enabled him to join the timbers within elongated mortises cut entirely through the massive axle.

*Continued*



Water rushing through the sluice turns the waterwheel. The pit wheel on the same axle matches the waterwheel's turns. Its cog teeth mesh with the vertical lantern gear to transmit power to the horizontal gear for grinding.

Completed, the assembly produced six spokes that could never slip.

The millwright cut the lap joint in the timber spokes with common carpenter's tools. But the mortise through 2' of white oak required a heavy mortising chisel with a 1½"-wide, 19"-long shaft weighing 3½ lbs. A powerful swing of a hefty mallet, repeated over and over again, drove it through the oak.

### Cogging up the pit wheel

In all but the simplest mills, the millwright would make the gears that the rushing power captured by the waterwheel. This called for super precision, for where the waterwheel needed only to mesh with the accommodating river, the cog-laden gears inside the mill represented wood running against wood in an endless search for flaws.

The millwright directed most of his considerable skill to the all-important *pit wheel*, the main driving gear that transmitted power from the waterwheel. For every one of its revolutions, the pit wheel turned the companion *lantern gear* six times.

Mounted inside the mill on the waterwheel axle, the oak stock used to make the pit wheel turned as if on a lathe. As it turned, the millwright scribed the centerline for the mortises that would house the replaceable beech, maple, or applewood cog teeth. Then he paced off their exact locations around the gear's circumference with a pair of dividers.

Boring and chopping the mortises could take days, but there was no rushing. The 100 tapering shanks of the cogs, their tooth ends rough blocks, had to fit perfectly into their mortises. Should one later come loose, the resulting shock of the joining gear's jump could break out the rest of the teeth before the frantic miller could stop the wheel.

### Shaping proper gear teeth

Only when all the cogs had been sledgehammered in around the pit wheel could the millwright shape them into proper gear teeth.

With a scribing tool fastened to the stationary timber of the mill itself, this maker of massive gears marked on the oversized cog blocks

the extent of the path they would travel. Their length now determined, the blocks were sawn off.

Then, the limits of precision were expanded. The millwright paced off the tooth spacing around the cogs, setting and resetting his dividers until they ended at the precise point where they began. Sometimes the adjustment was so fine that it could only be made by filing away part of one of the divider points.

When the intervals were finally even, the millwright pared away the tough wood to shape the teeth on the cogs. All had to be identical in shape and spacing, for if one stood out it would wear unevenly, and get worse, not better, with time.

When a tooth was out of step, the miscalculation could be plainly heard from the running mill as it recited the craftsman's faults with every turn. Only the unremitting care and diligence of the capable millwright could bring the even rumble of gears and wheels meshing that was music to a miller's ear. ♣

Photograph: Sleepy Hollow Restorations  
Illustrations: Jim Stevenson





JSE-60  
Electronic Var. Spd.  
Jig Saw

AP-10  
10" Portable Planer  
Delivered

Both for \$409 **\$359**

Send \$3.00 for the most COMPLETE catalog of  
fine hand tools & cabinet makers supplies!!!!  
(refunded with first order)

CALL TOLL FREE 800-452-9999 In VA. 800-468-1778

7305 BOUDINOT DRIVE  
SPRINGFIELD, VIRGINIA 22150

## The best way to choose the right hardware.

Our *Classic Hardware* 40 page, color catalog takes out the guesswork by showing every item full size.

Choose from the finest English made Solid Brass hardware. Many pieces can be called "original" as the same molds have been used for over 100 years.

Write today for your catalog: \$1.00.

Dept. H8  
Garrett Wade Co.  
161 Ave. of the Americas  
New York, NY 10013



**LOW PRICES • HIGH QUALITY**  
Toll Free Phones! • 1-800-624-3938  
In Ill. 1-800-358-4208

**The Toymaker Supply Co.**

and  
**Love - Built Toys**  
105 Weiler Rd. T34  
Arlington Hts., IL 60005

For Volume Purchases of Quality  
Toy Parts..Write or Phone Today  
For Free Catalog!



## The Japan Woodworker's Catalog is...

loaded with the best tools you can get your hands on. In our catalog you will find a complete selection of Japanese tools for the woodcarver, carpenter and cabinetmaker. Send \$1.50 for our catalog and supplements during the next two years.

**THE JAPAN WOODWORKER**  
1731 Clement Ave., Alameda, CA 94501  
Phone (415) 521-1810



**CLEAN UP YOUR ACT!**

PRICE -  
\*Unbeatable value  
\$450.00 FOB NJ



**PORTABLE** -  
\*5 Roller Castors  
**POWERFUL** -  
\*3/4 HP Motor  
**PERFORMANCE** -  
\*Quiet non-metallic Construction  
\*Easy trash bag disposal

Send \$1.00 for full color catalog to:  
ELEKTRA BECKUM U.S.A. CORP.  
P.O. Box 24, Dept. JA  
Somerdale, NJ 08083

## POWERMATIC

MODEL 66 - 10" TA SAW

5 H.P. 3 Phase or  
3 H.P. Single Phase  
48" Rails, Ext. Wings



**ONLY**  
**\$1569**

FOB McMinnville

Order No. 1660760  
Biesemeyer Fence \$125 Extra  
#26 Shaper \$1,625

**WORKBENCH TOOL CO.**

2833 Perry St.  
Madison, Wisconsin 53713  
1-800-792-3505 Ext. 233

## SHOPSMITH® OWNERS

Make raised panels using our 3 wing carbide tipped shaper cutters.



Shaper Cutter  
(4 1/2" dia.)  
List \$138  
Sale \$99  
Auxiliary table-\$30  
(Plan only \$8)  
Arbor-\$22

All prices post-paid to 48 states  
Send check, MC, VISA, MC accepted  
(C.O.D. - add \$3)

**MANNY'S WOODWORKER'S PLACE**

602 S. Broadway  
Lexington, KY 40508 In Kentucky  
Toll Free 1-800-243-0713 (606) 255-5444

## BAND SAW BLADE SPECIALISTS

### SPECIAL OFFER

**Buy Six Blades, Get One Free.**

Band saw blades cut and welded to your exact specifications

WIDTH	TEETH	PRICE/INCH
1/8" thru 3/4"	3 thru 32	\$.04

Price-inch length x price per inch + 1.75 weld charge

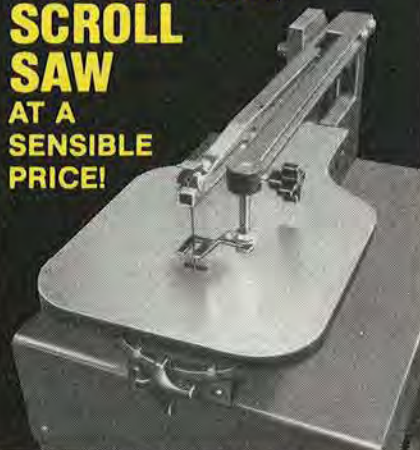
NO MINIMUM ORDER

Speedy Delivery

Add \$2.50 for shipping & handling  
S.C. residents add 5% sales tax  
Send payment with order - write or call

**ROBERTS HARDWARE**  
P.O. Box 1276 • Taylors, SC 29687  
803/879-2470

**NEW! High-Precision  
SCROLL  
SAW  
AT A  
SENSIBLE  
PRICE!**



### 30-DAY FREE TRIAL!

Use this high-precision saw to make hundreds of profitable, unusual items... toys, name-bars, filigree work, clocks, holders... the list is nearly endless! Because the Model 1600 cuts so smoothly, sanding is virtually unnecessary!

The new Woodmaster Model 1600 gives you a big 16-in. throat capacity, 2-in. cutting depth, a generous, oversize worktable, ball-bearing drive... and much more! Made in U.S.A. **Easy Terms.**

**Send today for free information kit!**

Phone Toll Free 1 (800) 251-4888, ext. 2513

Woodmaster Tools, Dept. CW13  
2908 Oak, Kansas City, MO 64108

Name \_\_\_\_\_

Address \_\_\_\_\_

City/State \_\_\_\_\_ Zip \_\_\_\_\_



## WOODWORKERS

**DOWEL AND TENON  
CUTTER SETS**



4 PC. SET IN WOOD CASE

SALE \$29.95 PPD

FREE CATALOG SUBSCRIPTION  
WITH PURCHASE.

CATALOG ONLY.

2 year subscription (8 issues) \$4.00.  
Free \$5.00 gift certificate with catalog order.

R. A. NESS & CO.

**THE WOODWORKERS  
EMPORIUM**

8888 N. MILWAUKEE AVE.

NILES, IL 60648

(312) 824-0565



## SPECIAL SALE

**12 1/2" PLANER/ JOINTER COMBINATION**



Unlike others it has 2 planing feed rate: 19.7 ft/min & 29.5 ft/min

MODEL AH115

SALE PRICE **\$1295.00** PREPAID LIST \$2399

**2-SPEED 12 1/2" PLANER**



2-speed feed rate 19.7 and 29.5 ft per min.

MODEL AP125

SALE PRICE **\$995.00** PREPAID LIST \$1859.00

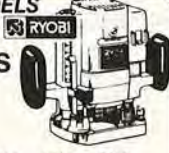
**MITER SAWS #1 Worldwide**



TS251V accessory kit-\$20  
TS 380 accessory kit-\$33

BLADE SIZE	MODEL#	LIST	SALE
10"	TS251V	\$329	\$159 PPD
14"	TS380	\$509	\$289 PPD

**NEW MODELS PLUNGE ROUTERS**



Both models include FREE accessories \$39 Value!

HP	MODEL#	LIST	SALE
1HP	R151	\$169	\$99 PPD
3 HP	RS01	\$279	\$169 PPD

## OLD HAND TOOLS

Continued from page 49



### CLARIFY YOUR OWN LINSEED OIL FOR RECONDITIONING OLD TOOLS

Linseed oil goes on easy and protects both wood and metal finishes with a tough finish. That's why old-tool collectors prefer it. But even commercially prepared boiled linseed oil becomes tacky to the touch and may eventually cause an "alligatored" finish. To avoid this, you have to remove the residue from the oil, or "clarify" it.

Begin by pouring linseed oil into a clear glass container. Add two iodine crystals (the type used to purify drinking water), then place the container in direct sunlight for about two weeks. When a considerable amount of gunk settles to the bottom, remove the clear upper oil layers and decant them to a clean vessel.

The clear oil will outperform the store-bought variety as a wipe-on finish.

### WHAT'S THAT OLD TOOL WORTH?

Collecting old tools rates high interest these days, and you'd probably be amazed at the prices some of them bring.

If you have a Stanley Bailey No. 5 1/4 C jack plane with a corrugated bottom (circa 1922-42) buried in your basement, it's worth close to \$200. A Stratton Bros. 8" rosewood, brassbound level (circa 1900) could bring you \$250.


Most old tools aren't worth nearly that much, but you'll never know the value of yours without some research and guidance.

Here's a good book to start with: *The Antique Tool Collector's Guide to Value*, by Ronald S. Barlow, 1985, Windmill Publishing Co., 2147 Windmill View Rd., El Cajon, CA 92020; \$12.95 plus \$1.05 postage.

Tool prices and descriptions appear in *The Fine Tool Journal*, a bimonthly newsletter. The subscription price is \$15 a year. Write: *The Fine Tool Journal*, RD #2, Poultney, VT 05764. ♣

Written by Vernon U. Ward—dealer, collector and publisher of *The Fine Tool Journal*  
Photograph: Bob Calmer

**RESAW BANDSAW**



MODEL BS360NR

Cuts Wood up to 12 3/16" thick Comes with 3" wide stellite blade. Accepts blades from 1/4" to 3" wide

SALE PRICE **\$1279.00** PREPAID LIST \$1899

**RESAW BANDSAW**



MODEL BS50N

Cuts wood up to 7" thick Comes with 2" wide stellite blade

LIST \$1089

SALE PRICE **\$695.00** PREPAID

**RADIAL ARM SAW**



MODEL RA2500

Ball bearing motor 2 1/4 HP Accessory Spindal rotates 17,600 RPM for routing & shaping. Carriage slides on 6 ball bearings.

LIST \$589

SALE PRICE **\$389.00** PREPAID STAND - \$395

**ELECTRONIC JIG SAW**




MODEL JSE60

with 4 position orbit blade assortment included!

SALE PRICE **\$119** LIST \$209 PREPAID

**NEW! 10" PLANER**



MODEL AP10

13 amps, power feed

LIST \$689

SALE PRICE **\$365.00** PREPAID Set of Extra Blades \$29.95

**NEW! 2-SPEED CORDLESS DRILL/ DRIVER**



MODEL BD1025R

96 Volt 1 hour quick charge

5 clutch position settings LIST \$179

SALE PRICE **\$109.00** PREPAID

FREE Holster 1095 Value

**PAD SANDER**



MODEL S 500 A

1 1/6th Sheet

1.5 AMP

12,000 opm

LIST \$79

SALE PRICE **\$29.95** PREPAID

**NEW! TR 300 TRIMMER**



with straight guide and trimming guide

LIST \$129

SALE PRICE **\$79.00** PREPAID



# HOW WOOD-WISE ARE YOU?

Fact or fiction? Test your knowledge of wood characteristics with these questions. You'll find the answers on page 84. P.S. No cheating!

- 1 Wood changes color naturally, whether or not you apply a finish to it.  
 Fact     Fiction
- 2 Wood shrinks equally in all directions as it dries.  
 Fact     Fiction
- 3 All woods float.  
 Fact     Fiction
- 4 Wood dowels are round.  
 Fact     Fiction
- 5 Fast-growing trees make better lumber for woodworking than the slow-growing species.  
 Fact     Fiction
- 6 All hardwoods are hard.  
 Fact     Fiction
- 7 Of all common building materials, wood is known to be the best insulator.  
 Fact     Fiction
- 8 Branches rise higher off the ground as a tree grows.  
 Fact     Fiction
- 9 The water in green wood makes it stronger than dry wood.  
 Fact     Fiction
- 10 Heavier woods will shrink and swell less than less rigid light-weight woods.  
 Fact     Fiction
- 11 Wood only needs to be finished on one side, where it shows.  
 Fact     Fiction
- 12 All woods burn readily.  
 Fact     Fiction

Answers on page 84

## HARDWOODS OF MEMPHIS NASHVILLE    LITTLE ROCK

2000 Elm Hill Pike  
Nashville, TN 37210

5105 McClanahan Dr.  
N. Little Rock, AR 72116

### "Fine Woods & Tools"

Over 60 Species of Hardwoods: Both Native & Exotic.  
Quality Hand & Power Tools. Veneer. Plywood. Books.  
Carving Blanks, Turning Squares, Bits & Blades.

■ DELTA ■ MAKITA ■ HITACHI ■

■ RYOBI ■ PORTER-CABLE ■ INCA ■

The Complete Woodcraft Supply Store!

2667 Jackson Ave., Memphis, TN 38108



1-800-321-5239



## HORTON BRASSES

Nooks Hill Road, P.O. Box 120J  
Cromwell, CT 06416 (203) 635-4400

HORTON BRASSES are authentic  
copies of 17th, 18th, 19th & early  
20th century pulls



Mfrs. of Cabinet & Furniture  
Hardware for Homes & Antiques.

Send \$2.00 for a Catalogue.

## WOODWORKER'S CATALOG

There are over  
3,000 money-saving  
reasons why  
woodworkers rely  
on Constantine.



3,000 woodwork items—to help you **Build-Restore-  
Repair-Refinish!** Over 200 different woods...  
150 veneers...500 plans...cabinet hardware...  
96 How-To Books...118 carving tools and chisels...  
76 inlay designs...and lots more for **One Stop,  
Right-Price Shopping** without leaving home!

116 Page Catalog—Only \$1.00  
\$2.00 refunded on 1st order.

**CONSTANTINE** Est. 1812  
2054L Eastchester Road, Bronx, NY 10461

## BUILD A CLASSIC

2 Full Size Patterns for  
Chrysler Sedan & Graham  
Bros. Truck - Plus Catalog  
- \$10.00



10 Spoke Wheels - Plus  
Catalog - \$7.50  
Catalog Alone - \$1.50.



## TOY DESIGNS

DEPT. BW886 - BOX 441  
NEWTON, IOWA 50208



## THE RENOVATOR'S SUPPLY®

America's Number One  
source for old-style repro-  
ductions at factory-direct  
prices! Door, window and  
cabinet hardware; lighting  
and bathroom fixtures; and  
gifts in brass, oak, porcelain,  
and wrought iron. 48-page  
color catalog \$2.00.

4068 Renovator's Old Mill  
Millers Falls, MA 01349

## Make Easy Money Building Clocks!

**M88 QUARTZ  
MOVEMENT**

2-3/16" Square  
5/8" Thick  
On-Off Switch



**Buy the Best  
for Less!  
Only \$3.95 ea.**

(WITH THIS AD)

**Price includes hardware,  
hanger and FREE HANDS!**

Add 25¢ ea. for second hands.  
Shipping & Handling \$2.00 per order.

Quartz  
Clock  
Movements

Catalog  
786

Catalog 786 - 50 pages  
of clock movements,  
accessories, and more!  
\$1.00 - Free w/order.

\$25 minimum  
charge card sale.

## Cas-Ker Co.

P.O. Box 14069-R  
Cincinnati, Ohio 45214  
Phone (513) 241-7073



# Easy Wood Finishing with **WATCO**<sup>®</sup> *The Original and Still the Best* **DANISH OIL FINISH**

You'll be amazed at how easy it is to finish wood beautifully with Watco Danish Oil. Watco gives wood that natural hand-rubbed look with long-lasting durability. And because Watco is **IN** the wood... not on it like temporary surface coatings... there is no finish that will wear off. Watco Danish Oil is ideal for furniture, antiques, paneling, cabinets, doors, and trim-work. It's also safe for butcher blocks, cutting boards, and children's toys. Choose from 8 beautiful finishes... Natural, and Medium, Dark, and Black Walnut shades, and Cherry, Golden Oak, Fruitwood, and English Oak colors.

Send today for your "FREE" color booklet "How to Finish Wood Beautifully and Easily"... and the name of your nearest Watco Distributor.

**WATCO-DENNIS CORP.,**  
1756 22nd Street

Santa Monica, CA 90404, Dept. BH-W86

Name \_\_\_\_\_

Street \_\_\_\_\_

City \_\_\_\_\_

State \_\_\_\_\_ Zip \_\_\_\_\_

213/870-4781



## This VET Did It - and YOU Can Do It Too!

"War injuries left me badly handicapped, but now I'm a financial success as a Locksmith, thanks to your training. Besides, the work is fascinating, if I can do it anybody can." — Glen Johnson, Larned, Kan.

Make Up to \$26.00 an Hour — even while learning!

Train FAST at Home!

# Be a LOCKSMITH!

If you enjoy fixing things, you're a "natural" to make hundreds of EXTRA DOLLARS a year in the fascinating business of Locksmithing. Rising crime has increased demand for service a thousandfold. Yet there's only one Locksmith for every 17,000 people!

**COLLECT CASH PROFITS ALMOST AT ONCE!**

You're "in business" ready to make \$10 to \$26.00 an hour a few days after you begin Foley-Belsaw's shortcut training. Easy illustrated lessons complete with ALL practice equipment PLUS

- ALL TOOLS YOURS TO KEEP
- KEY MACHINE YOURS TO KEEP
- EXPERT PERSONAL ASSISTANCE
- BUSINESS-BUILDING HELP

enable you to get your share of this always-profitable business. Hundreds we've trained are doing it. So can YOU.

**MAIL COUPON** to discover how Locksmithing can keep the extra money coming in during spare time — or in your own full-time business. Ideal for retirement—good jobs, too.

**FOLEY-BELSAW INSTITUTE, 10944 Field Bldg.**  
Kansas City, Mo. 64111

N. Hunt, Wilmington, Del.—"I make \$50 a week extra."

R. Davis, St. Louis, Mo.—"I cleared \$110 last Saturday."

Ed Boyle, Pittsburgh, Pa.—"My business going at top speed. I'm moving to bigger quarters."



MAIL THIS COUPON • NO SALESMAN WILL CALL

FOLEY-BELSAW INSTITUTE, 10944 Field Bldg.  
Kansas City, Mo. 64111



Rush FREE book, "Keys to your Future."

Name \_\_\_\_\_

Address \_\_\_\_\_

City \_\_\_\_\_ State \_\_\_\_\_ Zip \_\_\_\_\_

**THIS DO-ALL PRO KEY MACHINE YOURS TO KEEP!**

Can add \$50 to \$100 a week to your income... and doesn't cost you a penny extra!

**FREE**

## QUIZ ANSWERS

Questions on page 83

- 1 Fact.** Most all woods change color after exposure to light and air, even with a finish. Walnut, for instance, bleaches to a yellow color.
- 2 Fiction.** Flat-sawn wood can shrink nearly twice as much in width as in thickness, and in length, hardly at all.
- 3 Fiction.** Only wood with a specific gravity less than that of water (1.0) will float. Lignum vitae, at 1.2, for instance, sinks.
- 4 Fiction.** Because of the way the wood shrinks, dowels are actually slightly oval, rather than round.
- 5 Fiction.** Slow-growing trees have more annual rings per inch, resulting in a better texture for machining and shaping.
- 6 Fiction.** Balsa, which you can carve with your fingernail, is a hardwood.
- 7 Fact.** Air in its cell structure makes wood 15 times better at insulating than concrete and 32 times better than steel.
- 8 Fiction.** Branches never get any higher off the ground than where they first appeared because a tree grows from the top, not the bottom up.
- 9 Fiction.** Strength increases with dryness, but flexibility decreases.
- 10 Fiction.** Lightweight woods shrink and swell less.
- 11 Fiction.** A surface not sealed allows moisture to travel.
- 12 Fiction.** Jarrah, from Australia, carries a Class B fire rating because it will only burn when confronted with a permanent flame.

HOW DO YOU RATE?

0-3 correct — Knothead

4-6 correct — Out on a limb

7-9 correct — A cut above the rest

10+ correct — Standing tall

**ASSOCIATIONS** YOU SHOULD KNOW ABOUT

# THE SOCIETY OF WOOD CRAFTSMEN

We usually devote this space to a U.S. association that's been around a while. But this time we want to tell you about a promising group, formed in England in 1985, that already has 1,400 members from that country and North America.



**A professional heritage hobbyists can draw upon**  
Like a yearling colt from thoroughbred stock, the Society of Wood Craftsmen hasn't yet made a big name for itself, but you can trust the heritage. It evolved from the Guild of Master Craftsmen, a group of professional woodworkers in the United Kingdom and the Guild of Master Craftsmen International.

Explains the Society's director, Alan E. Phillips: "The two professional guilds, with over 2,500 members, were beleaguered with queries and requests from hobbyists. Not anxious to recruit amateur members, the guilds suggested a new organization, and the Society was born."

Thanks to the link with the two professional organizations, Society members can share in the woodworking knowledge and experience of professionals—without furnishing credentials of expertise.

## Woodworking with an Old-World view

Why would U.S. woodworkers want to join an association in England? "Contact with Old World craftsmen, the exposure to a different view of woodworking, and our resources and publications," answers Phillips.

Society activity centers in a Georgian-style building in Lewes, East Sussex, less than an hour's drive south of London. It houses a library, information service, antique woodworking tools, and exhibitions of members' work. Resident experts are on hand to answer questions.

A primary membership benefit comes from the Society's publishing company, offering a wealth of woodworking publications (many of which normally are available only in England) at an attractive 40 percent discount. Even with \$3 Trans-Atlantic postage per book, you still save. *Woodworking Crafts Magazine*, a well-illustrated quarterly of techniques and projects with both metric and standard U.S. measurements, costs members \$14 a year, plus \$3 postage (non-members pay \$20 annually). There's also a free newsletter, a discount tool catalog, and course offerings.

Annual membership, plus a one-time initiation fee, totals \$30. For more information, write: *The Secretary, The Society of Wood Craftsmen, Dept. W, 166 High St., Lewes, East Sussex, BN7 1YE, England (postage for a ½-ounce letter will cost you 44 cents).*

**TOOLS ON SALE™**  
**AMERICA'S LOWEST PRICED TOOLS**  
★ PLUS ★ FREE Freight On Every Item

**STATIONARY TOOL SELL-A-THON**

		LIST	SALE
<b>MAKITA</b>			
2020--	8" Longbed Jointer w/elec. brake 12A	1700	850
2040--	15½" Planer 13A	1780	1150
2030--	12" Planer-Jointer	1980	1150
2030N--	12½" Planer-Jointer w/elec. brake	2160	1350
<b>RYOBI</b>			
BS50N--	7" Band Saw	995	585
BS360NR--	12" Band Saw	1936	1150
RA2500--	10" Radial Arm Saw	536	385
AP-125--	12½" Planer	1680	950
AH-115--	12½" Planer-Jointer	2195	1245
<b>DEWALT by BLACK &amp; DECKER</b>			
3436--	12" Dewalt Radial Arm Saw	1550	1240
7790--	12" Contractors Radial Arm Saw	1045	836
7749--	10" Deluxe Radial Arm Saw	606	485
7779--	10" Contractors Radial Arm Saw	710	568
3486--	8" Rip & Crosscut Panel Saw	1034	827
<b>DELTA</b>			
34-621--	Contractors saw w/o motor 9"	551	425
34-710--	Super 10" Saw — 1 H.P.	621	475
15-091--	15" Floor Model Drill Press	510	395
15-090--	15" Bench Model Drill Press	510	395
11-072--	32" Radial Drill Press	409	330
22-651--	RC33-13" Planer — 2 H.P.	1729	979
46-140--	11" Lathe w/Stand w/o Motor	448	350
33-150--	Sawbuck-Frame & Trim Saw	707	499
33-990--	Deluxe — 10" Radial Saw	630	475
33-890--	12" Radial Saw w/1½ H.P. Motor	1422	950
28-283--	14" Band Saw comp/¾ H.P. Motor & enc. std	970	670
28-243--	14" Band Saw w/open steel stand less motor	621	475
28-560--	16" Motorized Band Saw comp. w/stand	467	349

FREE FREIGHT TO THE 48 STATES — 1 DAY SHIPPING

**1986 TOOL CATALOG AVAILABLE**

Call Toll-Free 1-800-328-0457 — In Minnesota Call (612) 224-4859

4 WAYS TO BUY: CHECK — MONEY ORDER — VISA — MASTERCARD

**SEVEN CORNERS ACE HDW. Inc.**

216 West 7th St. • St. Paul, MN 55102 • Est. 1933

**MAKITA • PORTER CABLE • ROCKWELL • BOSCH • LION**

**freud INDUSTRIAL**

**10" CARBIDE TIPPED BLADES**

Blade	Description	Teeth	List Price	Hiller's Price
LU84	Combination	50	74.51	37.25
LU85	Combination	80	110.88	55.44

Prices Quoted Delivered PPD on \$75.00 Order

**WRITE FOR OUR NEW FALL/WINTER CATALOG**  
**1411 Assembly Street**  
**Columbia, S.C. 29202**  
**P.O. Box 1762**  
**(803) 779-3131**

**MARPLES • RECORD • WATCO • NU-LIFE • DOWEL-IT-CLESCO • GILLESPIE • FREUD**  
**BLACK & DECKER • MILWAULKEE • FORSTNER • JORGENSEN • 3M • W.L. FULLER**  
**HEGNER • STANLEY • GREENLEE • HENCKELS • MERIT**

**NOW! Get in on the PROFITS in**

**SMALL ENGINE REPAIR!**



Start your own money making business!

Work part time, full time—right at home—we help you every step of the way.

No doubt about it... as a small engine pro, you can cash in on the huge demand for qualified men in one of America's fastest growing industries. You'll be able to command top hourly rates of from \$25.00 to \$30.00 per hour—and that's just for labor. A simple tune-up earns as much as \$49.95 for less than an hours work, and parts, engines and accessories will add even more to the profits.

Plenty of business waiting for qualified men.

**65,000,000 Small Engines Are In Use Today!**

That's the official count from the Engine Service Assn., and one-million new engines are being built each month. With fully accredited Foley-Belsaw training, you can soon have the skills and knowledge to make top money servicing these engines. People will seek you out and pay you well to service their lawnmowers, tillers, edgers, power rakes, garden tractors, chain saws, minibikes, snowmobiles, generators, go-carts, paint sprayers, snowblowers... the list is almost endless.



Professional Tools and Equipment, PLUS 4 H.P. Engine ALL YOURS TO KEEP... All at No Extra Cost. NO EXPERIENCE NECESSARY!

You don't need to be a 'born mechanic' or have any prior experience. You can master this profitable trade right at home in your sparetime. Lessons are fully illustrated...so clear you can't go wrong, and with our famous 'learn-by-doing' method you get practical 'hands-on' experience. We also show you how to get business, what to charge, where to get supplies wholesale...all the inside tricks of the trade you need to assure success right from the start.

Send for FREE Facts—Do It TODAY!

**NO Obligation—NO Salesman Calls!**

You risk nothing by accepting this offer to see how easily you can learn the skills you need to increase your income in a high-profit business of your own.

Just fill in and mail coupon below (or send postcard with name and address) to receive full information by return mail.

**RUSH COUPON TODAY**

Foley-Belsaw Institute  
50941 Field Building  
Kansas City, MO 64111



**FREE BOOKLET!**

Send for your copy today!

FOLEY-BELSAW INSTITUTE  
50941 FIELD BUILDING  
KANSAS CITY, MO 64111



YES, please send me the FREE booklet that gives full details about starting my own business in Small Engine Repair. I understand there is No Obligation and that No Salesman will call on me.

NAME \_\_\_\_\_

ADDRESS \_\_\_\_\_

CITY \_\_\_\_\_

STATE \_\_\_\_\_

ZIP \_\_\_\_\_

**GREAT IDEAS FROM OUR SHOP**

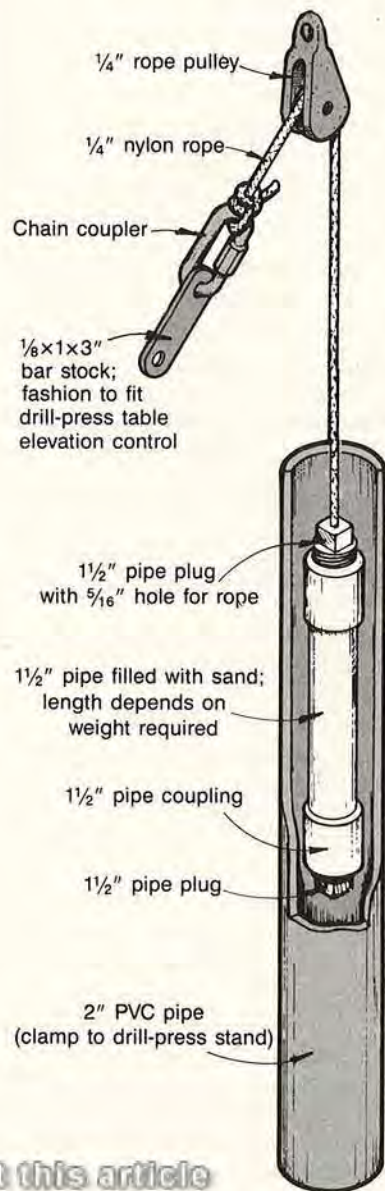


Construction starts with the counterweight itself (see the sketch, below). Thread a coupling and a plug onto one end of a 10" length of 1/2"-diameter galvanized pipe. Then fill the pipe with wet sand or old nuts and washers. (You may have to increase or reduce the amount of fill later, depending on the weight of your drill-press table. You want the counterweight to be slightly lighter than the table.)

Next, drill a 5/16"-diameter hole in another pipe plug. Thread one end of the nylon rope through this hole, and tie a knot in it. Lightly singe

# DRILL PRESS COUNTERWEIGHT Makes the Going EASY

Raising and lowering a drill press table can be a real nuisance. Not only are most drill-press tables cast iron and heavy, but they're also cantilevered from a post, making them difficult to adjust. Now you can build a simple counterweight system that'll take the hassle out of table adjustments, using principles as old as the ancient Egyptians. Here's how we built ours.



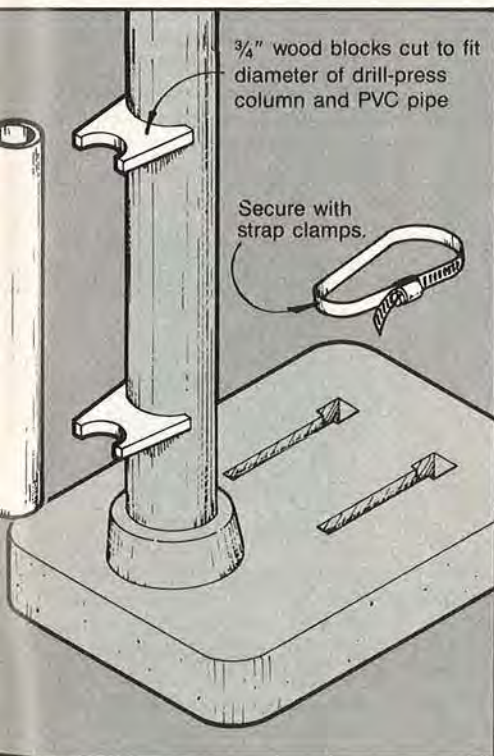
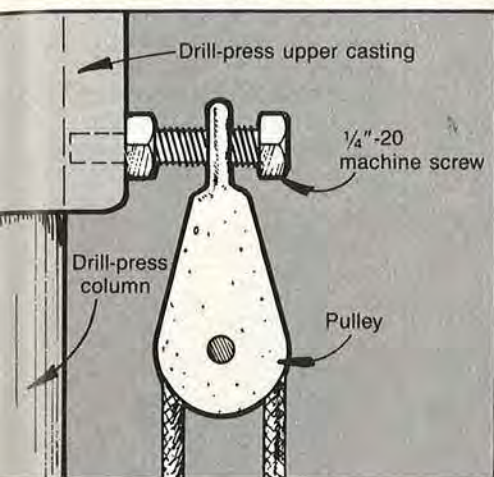
Project Design: Gary Hood  
Photograph: Hopkins Associates  
Illustrations: Bill Zaun



the rope to prevent it from unraveling. Thread the plug into the coupling.

**2** The counterweight slides up and down inside a length of 2"-diameter PVC pipe. How you mount this guide pipe varies with the drill-press type. We mounted ours to our tabletop drill-press stand using just two U-bolts.

If you have a floor-model drill press, you'll need to make two spacer blocks out of  $\frac{3}{4}$ " scrap stock to separate the pipe from the post. (See the sketch, *bottom right*, for how this setup looks.) If it's ever



necessary to lower the drill press table beyond these brackets, simply loosen the clamps and lower the guide pipe.

**3** The pulley plays an important part in the smooth operation of any counterweight system. We mounted a pulley on the back of the drill-press casting. To do this, drill a  $\frac{1}{16}$ "-diameter hole in the center of the casting, and tap it for a  $\frac{1}{4}$ "-20 thread. Mount a  $\frac{3}{4}$ " pulley with a  $\frac{1}{4}$ "-20 x 1"-long machine screw and nut (see sketch).

If you do not have a tap, you can drill the hole as described above, then use a  $\frac{1}{4}$ "-diameter x 1"-long self-tapping screw.

Some drill presses have a motor mount adjustment screw to which you can mount a pulley. As with the guide pipe, develop the best solution for *your* drill press.

**4** To attach the  $\frac{1}{4}$ " nylon rope to the table, you'll need to first drill a  $\frac{3}{16}$ "-diameter hole through one end of a piece of  $\frac{1}{8}$ " bar stock. Locate a  $\frac{1}{2}$ " hole on the other end of the strip by removing the table clamping bolt on the back of the table and sliding the stock into the slot. Mark the location of the hole on the stock, then remove it and drill the hole.

Reinstall the clamping bolt, with the stock in the slot. (If the strip is too thick, the table will not clamp securely. You may have to grind the stock to thin it down.) Connect a  $\frac{3}{16}$ " chain coupler (quick-link) to the metal strip.

**5** If you have a bench top model drill press, drill a  $\frac{1}{2}$ " hole through the bench top (directly over the PVC guide pipe) to allow the nylon rope to pass through. Fit the hole with a rubber grommet.

**6** To hook up the system, put the counterweight in the guide pipe. Next, thread the rope through the pulley on the back of the drill-press casting. Finally, raise the table as far as it'll go, and thread the rope through the chain coupler that's fastened to the bar stock. Tie a knot securely in the rope, then lightly singe the end to keep it from unraveling. 🌲

## Have a problem with your subscription?

We want to solve it to your complete satisfaction, and we want to do it fast. Please write to: Robert Austin, *Better Homes and Gardens*® WOOD, P.O. Box 10628, Des Moines, Iowa 50336.

You can help us by attaching your magazine label here, or copy your name and address as it appears on your label. Send this along with your correspondence.

Name	Apt. #	State	Zip
Address			
City			

## Moving?

Simply attach the mailing label from this magazine and write in your new address below. (Please allow 4-8 weeks.)

### Your New Address Goes Here

Name	
Address	Apt. #
City	
State	Zip

## Subscription Rate:

6 issues — 1 year — \$18. Add \$6 for Canadian or foreign postage.

Renewal  New Order

## For Fast Service...

... it is better to write us concerning your problem and include the magazine label. Also, address changes are handled more efficiently by mail. However, should you need to reach us quickly the following toll-free number is available:

800-247-2504

Better Homes and Gardens®

**WOOD**

P.O. Box 10628 • Des Moines, Iowa 50336

# WOOD Catalog Review

Mail order catalogs offer a wide variety of merchandise and many one-of-a-kind items. Shop in the comfort of your own home and order with complete confidence. Your satisfaction is guaranteed.

## BRATTON MACHINERY

1. 50+ pages of woodworking machinery, portable power tools and supplies. Information on equipment for professional and home shop needs. Name brands and imported materials. Bratton Machinery and Supply, Inc. \$4.50.



5. Excellence in sharpening equipment. Foley-Belsaw catalogue, complete with information on its line of equipment used for sharpening home, garden and industrial shop saws and tools. Each machine is fully illustrated; complete specs and pricing information are provided. Free.

TOOLS ON SALE™  
1986



A Division of  
SEVEN CORNERS ACE HDW.  
204 WEST 7th ST. ST. PAUL, MN 55102 (612) 258-6800

9. Tools On Sale—a division of Seven Corners Ace hardware Inc. offers a catalog featuring the most competitive prices and one of the most complete selections of power tools from the most respected manufacturers in the industry. Seven Corners Ace Hardware Inc. Free.



2. This 84-page catalog features specifics on Porter-Cable's full line of professional quality tools and accessories. From their innovative, new abrasive plane to their anti-kick circular saw, you'll see Porter-Cable's commitment to quality and safety. Send for catalog \$1.00.



6. Cherry Tree Toys' new color catalog is chock-full of projects and supplies for toymakers and woodworkers. Included are toy plans, kits and hundreds of hardwood parts for toys, crafts and furniture—plus tools and new, non-toxic finishes. Bulk prices available. Catalog subscription \$1.00.



10. R.A. Ness & Co., The Woodworkers Emporium, offers a two-year, eight-issue catalog subscription. Thousands of industrial quality items—machinery, hand tools, portable electric tools and supplies featured at super sale prices. Fee refundable with purchase. \$4.00.



3. Garrett Wade 1986 Woodworking Tools Catalog. The finest in hand tools, finishing supplies and machinery. Gathered from all over the world. Hundreds of books filled with tips and information. 228 pages. \$3.00.

VIKING  
SOLID WOOD CLOCKS  
•Grandfather •Wall •Mantel

7. Solid wood clock kits. Full-color catalog of beautiful, easy-to-make clocks. Grandfather, mantel and wall clocks. All solid wood with solid brass pre-assembled movements. All parts hand-cut for perfect assembly even by beginners. Viking Clock Co. Catalog 50¢.



11. Tool catalog—bandsaw, lathe, jointer/planer/shaper, table saw, dust extractor. Your partner in precision woodworking offers a complete line of equipment from Germany at competitive prices. Elektra Beckum USA Corp. \$2.00.



4. Beautiful wood finishing with Watco Danish oil wood finish. Full-color "How to Beautifully Finish Wood" booklet enables anyone to create professional finishes the first time. Outlasts surface coats three to one. Eight colors. Eliminates pre-staining. Free.



8. Catalog containing hundreds of patterns for woodworkers! Choose outdoor projects, children's toys, furniture, whirligigs, planters, clocks, rocking horses and much more. Plus many pages of books, hardware, parts, tools, supplies. \$.25 for postage, please.



12. Renovator's Supply, America's Number One source for elegant, old-style reproductions at factory-direct prices! 48 colorful pages of door, window and cabinet hardware; lighting and bathroom fixtures; and gifts for the home in brass, oak, porcelain and wrought iron. \$2.00.





**13.** Quartz clock movements. Our 60-page catalog features a large selection of movements and a full line of clock-making supplies and accessories. Thousands of ultra-thin pendulum and chime movements always in stock. Most orders shipped within 48 hours. Precision Movement. Catalog free.



**17.** Wonderland for woodworkers! Illustrations and descriptions of over 180 full-size plans of fine, museum-quality furniture. Includes cradles, roll-top desk, tables, chairs, buffets, chests, gun cabinets, poker table, children's furniture, rocking horse, spinning wheels and more. Catalog \$2.00-refundable with first plan order.



**21.** 116-page catalog offers the finest in cabinet-grade hardwoods, veneers, woodworking tools and accessories, hard-to-find hardware, inlays, kits, cane, moulding, wood finishes, books, plans and more. Your best source book and reference guide for woodworkers and restorers. Satisfaction guaranteed. Prompt deliveries. \$1.00.



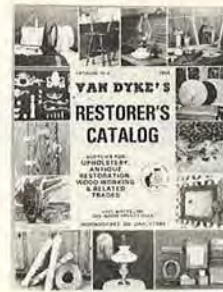
**14.** Catalog of wooden toy patterns, hardwood turnings, complete kits; also patterns plus turnings kits and woodworking books. Seven full-sized patterns \$5 each; four or more for only \$4 each. Package of eight spoked wheels \$5.95. Catalog free with order. Catalog alone \$1.50. Toy Designs.



**18.** Woodworkers catalog. More than a catalog—it's one of the best sources for quality woodworking tools. You'll find everything from bit braces to wood borers, from saws to sharpening stones. Every product is sold satisfaction guaranteed. Catalog is free. Woodcraft Supply Corp.



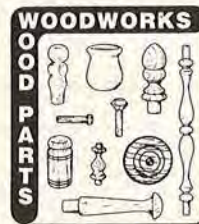
**22.** Best country furniture plans. Our catalog features designs from country pie safe to mini-barn. We have also included various specialty products for the home workshopper. Send \$1.00 for our latest catalog, deducted from your first plans order. Hammermark Associates.



**15.** The Van Dyke's Restorers Catalog offers wholesale tools and supplies for upholstery, antique restoration and related trades. Includes wood products, carvings, caning supplies, brass fixtures, Aladdin lamps, lamp parts and more, \$1.00.



**19.** Horton Brasses catalog shows over 500 items of authentic reproduction hardware from the 1700s and on into this century. These are superior reproductions of Chippendale, Hepplewhite, Queen Anne, Sheraton, Victorian and early 1900s brass furniture hardware. Catalog \$2.00.



**23.** Woodworks offers low prices and fast service on hundreds of beautifully turned birch, walnut, oak and cherry wood parts. Our 32-page catalog also includes hard-to-find hardware and cutting tools. Send \$1.00 for catalog, bonus coupon and our special "get acquainted" offer.



**16.** 50th Anniversary Cane & Basket Supply Catalog includes hundreds of items used by hobbyists interested in basketry, caning and rushing. Many products in the 20-page catalog show all sizes available, so selection is quick and easy. \$1.00 refundable with first order.



**20.** Workshop Blueprint's project plans for woodworkers. Professionally designed projects include furniture, playthings and accessories, storage sheds and gazebos. Plans use readily available materials and standard sizes of lumber. Instructions are clear and concise. Send \$2.00 for our catalog (refundable with order) and get started!



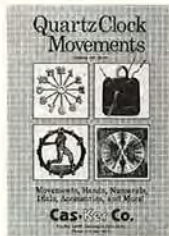
**24.** A 1986 Pitsco Catalog can be yours! "Neat stuff!" The most frequently heard comment about our products. Peg... is only one of approximately 3,500 items in our catalog. \$4.00.

# WOOD Catalog Review

## Love - Built Toys and The Toymaker Supply Co.



25. Wooden parts and turnings in bulk lots including gloved dowels, spindles, toy "headlights," wheels, eggs and train smokestacks. Items can be combined for the best price. 25¢.



26. Cas-Ker's 55-page catalog shows over 25 different varieties of quartz clock movements. Features movements made in Japan by the world's largest producer of quartz timepieces. Also included are dials, hands, numerals and accessories. Most orders are shipped within one day of receipt. \$1.50.



27. Wyndham Woods is a supplier of the highest quality domestic and exotic lumber and veneer. Our specialties are: flitch-cut lumber (wide boards cut from the same tree), unusually figured and colored veneers, thick domestic veneers and thin lumber. \$1.00.



28. Nyle Corporation, the only US manufacturer of small dehumidification lumber dryers offers an "Introduction to Dehumidification Lumber Drying." Nyle brings years of building large dry kiln systems to a new line of dryers for 300-10,000 board feet. Free catalog.



29. German steel tool catalog—32 pages packed with finest quality tools manufactured in Germany. Included are thousands of unusual and hard-to-find chisels, gouges, parting tools, etc.—all hardened and tempered to hold a keen edge and give a lifetime of dependable service. Frank Mittermeier, Inc. Free.



30. The revolutionary Parlok table saw fence makes cutting at least seven times more accurate and much faster. Single-handed operation works on the same principle as a drafting table, fence is always parallel to blade. Adjustable at intervals of 1/64 inch. Send for more information. Quintec Marketing. \$1.00.



31. 256 pages of power and hand tools from leading manufacturers like Milwaukee, Hitachi, Porter-Cable, Bosch, Ryobi and many more can be found in Tool City's 1986 catalog. Examples of our low prices can be found in our advertisement in this issue. For catalog send \$2.50.



32. Dakota Woodworks is the country's largest manufacturer of antique reproduction wooden telephones. Kits in two skill levels: one with plans and hardware, one with pre-cut oak cabinetry and hardware. Both include solid brass hardware, solid-state electronics package and instructions. Dakota Woodworks. Catalog \$1.00.

## WOOD'S Catalog Review ORDER FORM

Circle the catalogs you want. Fill out the coupon and include your check made out to Better Homes and Gardens\* for the cost of the catalogs you ordered plus the \$2 handling fee. Please allow 4-6 weeks for delivery.

Circle the catalogs you want to receive:

- 1. \$4.50 4. FREE 7. \$ .50 10. \$4.00 13. FREE 16. \$1.00 19. \$2.00 22. \$1.00 25. \$ .25 28. FREE 31. \$2.50
- 2. \$1.00 5. FREE 8. \$ .25 11. \$2.00 14. \$1.50 17. \$2.00 20. \$2.00 23. \$1.00 26. \$1.50 29. FREE 32. 1.00
- 3. \$3.00 6. \$1.00 9. FREE 12. \$2.00 15. \$1.00 18. FREE 21. \$1.00 24. \$4.00 27. \$1.00 30. \$1.00

Send to: Better Homes and Gardens®, WOOD, Aug. 1986, P.O. Box 2051, Clinton, Iowa 52732

I am enclosing: \$ \_\_\_\_\_ for catalogs  
\$ **2.00** for handling  
\$ \_\_\_\_\_ total payment

Name \_\_\_\_\_  
Address \_\_\_\_\_  
City \_\_\_\_\_ State \_\_\_\_\_ Zip \_\_\_\_\_



# 7

## COMMANDMENTS for a clean shop

A messy shop not only gets disheartening—it's expensive when you consider the cost of replacing an uncovered can of contact cement, or buying a new drill bit for the one lost in the sawdust. Follow our seven commandments to clean up your shop and keep it that way.

**1 Use it and put it away.** After completing that bit of mortising and chiseling, put the mallet and chisel back where they belong. Messes thrive on workbenches. Don't leave a tool out after you've used it. Sure, you're probably itching to start the next phase of the project, but the few seconds it takes to return a tool are well spent.

**2 Save just so much.** If you're like us, you just *bate* to throw anything away—be it a scrap of unused sandpaper or a sliver of walnut. But you have room for only so much. Boxes and boxes of scrap-wood are not only a nuisance and a fire hazard, they can literally become stumbling blocks. Be ruthlessly practical: Will you really ever use that scrap for a project? If not, give it the heave-ho.

**3 Hang 'em up.** Having adequate shelving, pegboard, and lumber and tool racks means that your tools are less likely to end up on the bench when the job is done. Each tool, whether it be an iddy-bitty scratch awl or belt sander,

should have a specific storage place. Chisels and plane irons are also less likely to have their cutting edges damaged if properly stored. Tools, like people, need a home (and you thought they didn't have feelings).

**4 Buy—and use—those handy cleanup helpers:** bench brushes, brooms, dust pans, and more expensive items, such as a dust-collection system. And what's handier than moving that sawdust from those hard-to-get-at places than an air compressor (see *WOOD*, April, 1985, p. 50)?

**5 Organize small items.** Almost every hardware store carries those organizers with small plastic pullout drawers. These are great for storing wood screws and dowel pins, and they also make it easier to quickly locate small items when you need them.

**6 Stop sawdust in its tracks.** Using tools, especially sanders, with dust bags traps most of the particles before they have a chance to become airborne. Dust in the air not only means unhealthy breathing conditions, it can also settle in motors and bearings and shorten their lives. A high-powered vacuum cleaner can make clean-up bearable and even fun. Placing vacuum-hose adapters on your stationary tools also helps to eliminate sawdust.

**7 Hit the broom, then the lights.** A quick sweep across the workbench with a bench brush and a few passes with a push broom are usually all it takes for a shop worth walking into tomorrow. 🍀

### ▲ DELTA 10" Contractor's Saw for \$599. You Can't Get More Value In A Table Saw Than This.

Delta's 10" Contractor's Saw has a powerful 1½ HP motor, full 3½" depth of cut, large massive table, exclusive Jet-Lock, Micro-Set® rip fence, 25" rip capacity and, of course, the smooth and easy



operation you expect from all Delta Machines.

At 265 pounds, this saw is not like most other open-stand table saws. It is a massive precision tool. The complete package includes the saw, a steel combination blade, miter-gauge, stand and motor. We have added a FREE adjustable dado and table insert to give you added flexibility.

Our price includes freight to anywhere in the 48 states.

**You get a \$100 rebate directly from Delta** 33-410S Delta 10" Contractor's Saw with FREE adjustable dado and table insert

List \$1,128.86 SALE \$699.00  
Your cost after rebate \$599.00

**Woodworker's Supply**

(OF NEW MEXICO)

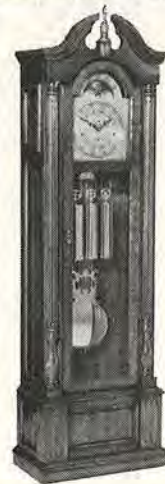
5604 Alameda, NE • Dept., Wood  
Albuquerque, NM 87113

Toll-Free: 1-800-645-9292

VISA/MC

## DO-IT-YOURSELF KITS

BUILD YOUR OWN GRANDFATHER CLOCK



Prices Starting **\$280**  
Under  
(including movement and dial)

- Do-it-yourself case kit, parts pre-cut
- Finished clocks
- Solid 3/4" hardwoods: black walnut, cherry, oak
- Heirloom quality
- Factory direct prices
- Solid brass West German chiming movements
- Money back guarantee
- Prompt shipment
- No woodworking experience necessary

**WRITE FOR FREE COLOR CATALOG**



**EMPEROR®  
CLOCK COMPANY**

WORLD'S LARGEST MANUFACTURER OF GRANDFATHER CLOCKS

Dept. 2007, Emperor Industrial Park  
Fairhope, Alabama 36532 • Phone 1-205-928-2316

I am interested in  Do-It-Yourself Kits  
 Finished Clocks

Name \_\_\_\_\_

Street \_\_\_\_\_

City \_\_\_\_\_

State \_\_\_\_\_ Zip \_\_\_\_\_

(please print)

# Information



Print this article

WORTH WRITING FOR

You can get useful ideas and product information by mail. Use the coupon in this section to order your choice of literature listed below.

**SCROLL SAW AND LATHE INFORMATION** — More than 20 pages of information, including full-color photos, on HEGNER precision scroll saws, HEGNER lathes, and HEGNER duplicators. Find out why these machines are considered state of the art, and what to look for when shopping for scroll saws or lathes. AMI, LTD. \$1.00. *Circle No. 2.*

**WOODWORKING PROFESSIONALS ONLY** — Now save 50% on machinery, 70% on operating costs! How? By using the world's finest production quality universal machine. Commercial durability, utmost precision, set-up in seconds. No other tool combines usable capabilities like FELDER. Thousands sold all over the world. Now available in America through AMI. Send for brochure. AMI LTD. \$1.00. *Circle No. 3.*

**OVER 400 WOODWORKING DESIGNS** — We now offer thirty-one packets of blueprint plans and full-size patterns with both the home and commercial craftsman in mind. Enjoy making toys, games, children's items, whirligigs, folk art, plaques, magazine racks, shelves, kitchen and household items, birdhouses, plant stands, and more. Simple enough for the beginner, fun and profitable for the pro. Send for illustrated brochure plus sample pattern. ACCENTS IN PINE. \$2.00. *Circle No. 12.*

**THE AMERICAN WOODWORKER MAGAZINE** — offers projects on beginning, intermediate, and advanced levels in each issue. Also included are in-depth instructional articles on all phases of woodworking, plus general interest articles. We will offer plans for jigs and fixtures for your shop. A one year subscription is only \$12.00 (inside U.S.). Send for our brochure giving complete details plus information on the new tool buyer's guide for woodworkers. THE AMERICAN WOODWORKER. \$1.00. *Circle No. 45.*

**TOOL CATALOG** — Available from Anglo American Enterprises, the world famous Recod Marples Tool Catalog featuring the finest woodcrafting tools available. Send for catalog and price list. ANGLO AMERICAN ENTERPRISES CORP. \$2.00. *Circle No. 50.*

**WOODWORKERS' PLANS AND SUPPLIES** — Wood projects are simplified with the high quality plans, specialty hardware and other supplies offered by Armor Products. Over 100 plans are available for making toys, desks, clocks, pool tables, lamps, chests, and other furniture. Movements, dials, moldings, ornaments, and hardware also available. ARMOR PRODUCTS. \$1.00. *Circle No. 60.*

**WOOD ENTHUSIASTS** — Our catalog is loaded with products. Select domestic, exotic, and dyed veneers, inlays, marquetry patterns and kits, game boards, picture faces, carving sets, clock kits, veneering tools, power tools, glues, finishes, "how-to" books, sculpture kits, ducks, birdhouses, furniture plans, and more. Send for our woodworker's catalog. Price of the catalog is deducted from your first order. ARTISTRY IN VENEERS, INC. \$1.00. *Circle No. 65.*

**DISCOVER VENEER** — Artistry in Veneers' do-it-yourself guide to veneering shows you how simple it is to master this craft. Our color brochure identifies the most popular species of veneer and educates you on veneer matching, taping, and gluing. Send for our introductory brochure. ARTISTRY IN VENEERS, INC. 50¢. *Circle No. 66.*

**THE FIRST LINE IN JIG SAW** — BOSCH — Bosch gives professionals a selection of top-of-the-line jig saws as well as an impressive selection of blades. Wholesale prices. Send for literature. AVIATION INDUSTRIAL SUPPLY. 50¢. *Circle No. 85.*

**EVERYTHING FOR THE WOODWORKER** — Makita, Hitachi, and Black and Decker power tools at well below list prices. Plus a wide selection of woodworking supplies, including candle cups and shaker pegs. Price of catalog is refundable with order. BENNY'S WOODWORKS. \$2.00. *Circle No. 115.*

**WOODWORKING EQUIPMENT** — More than 75 pages filled with woodworking machinery, portable power tools, and supplies. Detailed information on all types of equipment for professional and home shop needs. Powermatic, Rockwell, Hitachi, Makita, and more. BRATTON MACHINERY AND SUPPLY, INC. \$4.50. *Circle No. 150.*

**CANE AND BASKET SUPPLIES** — Every item used in caning and basketry is pictured in this new catalog for hobbyists and others interested in caning, rushing, etc., for either fun or profit. CANE & BASKET SUPPLY CO. \$1.00. *Circle No. 230.*

**CARBIDE TIPPED ROUTER BITS AND SHAPER CUTTERS** — Over 200 router bits and shaper cutters displayed in catalog featuring 6 piece cabinet sets, 3 piece 1/2 in. shank router bit panel raising system, and 3 wing industrial shaper cutters. Shaper cutters available in 1/2 in. through 1-1/4 in. bore with bushings. Router bits offered in 1/4 in. and 1/2 in. shank. CASCADE PRECISION TOOL CO. \$1.00. *Circle No. 245.*

**CLOCK MOVEMENTS CATALOG** — The 55-page catalog contains over fifteen different quartz clock movements, including pendulum, strike, and chime movements. Also shown are dials, hands, numerals, and accessories. It features movements made in Japan by the world's largest producer of quartz timepieces. CAS-KER CO. \$1.00. *Circle No. 250.*

**NO MORE COFFEE CAN CATCHALLS** — An end to frustrating searches for the right parts. Our workbench organizers come empty or full of the most needed woodworking or toymaking parts. Constructed of hardwood with heavy-duty corrugated bins and adjustable dividers. Also illustrated in our beautiful color catalog are hundreds of plans, kits, parts, and supplies for toy, wood, and furniture projects. CHERRY TREE TOYS, INC. \$1.00. *Circle No. 258.*

**MAKE WOODEN CLAMPS AND SAVE 60%** — Kits and plans for 8, 10, and 12 in. wooden handscrew clamps. Acme threaded steel rods, components, handles and full-sized plans provided. Kits also available with uncut and precut maple jaws. You decide how much you want to save. Also available in our beautiful color catalog are hundreds of plans, kits, parts, and supplies for toy, wood, and furniture projects. CHERRY TREE TOYS, INC. \$1.00. *Circle No. 259.*

**MAKE WOODEN TOYS AND PROJECTS** — Hundreds of plans, kits, colored and unfinished hardwood parts for all types of toy, craft, and furniture projects (Colonial, Shaker, Primitive, and Modern). Also available: tools, wood, finishes, and supplies. For novice to experienced woodworkers. Bulk prices available. Send for beautiful color catalog subscription. CHERRY TREE TOYS, INC. \$1.00. *Circle No. 260.*

**WOODWORKERS TOOLS AND MATERIALS** — 116-page catalog offers fine hardwoods, veneers, inlays, picture molding, wood finishes, carving blocks, cabinet hardware, and cane. Specialty woodworking tools, shop equipment, plans, instruction books. ALBERT CONSTANTINE AND SON INC. \$1.00. *Circle No. 270.*

**LOOKING FOR PIERCED TIN? COME TO THE SOURCE!** — A 96+ page catalog plus color brochure introduces you to a treasury of pierced metal panels ready to install in kitchen cabinets, cupboards, piesafes, and other projects. Available in a large variety of sizes, 16 different finishes, over 150 patterns — or all the materials you need to create-it-yourself. Tin, zinc, copper, brass, kits,

lanterns, furniture plans, and more! Artistry in pierced tin. COUNTRY ACCENTS. \$3.00. *Circle No. 272.*

**WOODWORKERS! HELP CELEBRATE OUR 55TH YEAR OF SERVICE** — Send for our new 148-page Craftsman 1985 catalog. 42 varieties of choice hardwoods 1/4-in. to 4-in. thickness. Fine hardwood veneers, tools, moldings, trim, marquetry inlays, upholstery and lamp supplies, finishes, clock kits, and hard-to-find hardware. 4,000-plus items for your projects. CRAFTSMAN WOOD SERVICE CO. \$1.00. *Circle No. 275.*

**WOODWORKERS FULL-LINE CATALOG** — 152 pages of fine woodworking and carving tools; 1/4 in. thick to 4 in. thick hardwoods, veneers, plywood, hardware, wood finishes, decoy carving supplies. Complete full-line catalog. CRAFTWOODS. \$3.00. *Circle No. 285.*

**INDUSTRIAL QUALITY CUTTING TOOLS** — DML offers 1,002 different cutting tools, each engineered for a specific task, all made in America. Four information-filled brochures detail carbide-tipped saw blades, bits, and cutters: concise copy explains applications, photos show tool configurations, and charts list sizes. DML, INC. \$1.00. *Circle No. 303.*

**INDUSTRIAL QUALITY CUTTING TOOLS** — Three large, colorful wall posters keep DML's huge line of carbide-tipped cutting tools close at hand for easy reference. Separate posters for saw blades, shaper heads (with diagrams of each cut), and router bits. Each features graphic displays of the tools, capabilities, and sizes. DML, INC. \$3.00. *Circle No. 304.*

**ANTIQUE REPRODUCTION WOODEN TELEPHONES** — Dakota Woodworks is the country's largest manufacturer of antique reproduction wooden telephones. Kits available in two skill levels, one with plans and hardware, one with pre-cut oak cabinetry and hardware. All hardware is solid brass. Both kits include complete solid-state electronics package and detailed instructions. Send for four-color 12-page catalog. DAKOTA WOODWORKS. \$2.00. *Circle No. 308.*

**DELTA MACHINERY CATALOG FOR BUILDING TRADES AND HOME SHOPS** — a source for quality wood and metalworking machinery for the do-it-yourself and professional craftsman. A complete line of saws, drill presses, grinders, jointers, lathes, shapers and accessories. Send for 44-page catalog. DELTA INTERNATIONAL MACHINERY CORP. Free. *Circle No. 317.*

**BUILD IT YOURSELF** — Why buy it when you can build it? Illustrated catalog of hundreds of interesting and fun items you can create yourself for personal use or profitable sale. Our 1986 catalog contains toys, games, plaques, puzzles, birdhouses, planters, accent furniture, and much more. All patterns are full-size blueprints — no enlarging is necessary. Simply trace and create. DESIGN GROUP. \$1.00. *Circle No. 320.*

**TREMENDOUS SAVINGS** — on finest quality tools, supplies, and accessories. Ryobi power tools, Everlast saw blades, Velepec router bits, Stanley hand tools, and more. Every item we sell is unconditionally guaranteed. DUSTY SPLINTERS ENT. \$1.00. *Circle No. 350.*

**MULTI-PURPOSE HOME WOODWORKING SYSTEM** — The Emco Start-2000 is a table saw, band saw, moulding machine and disc sander and you can change operations in less than 30 seconds. One big 2 hp. motor does it all. With optional accessories you can do wood turning, mortising, horizontal drilling, and more. Send for four-color information. EMCO® USA. Free. *Circle No. 402.*

**EdLco — STAY IN THE WOODS WITH US** — Educational Lumber Company is pleased to offer you our new catalog, stacked with excellent buys at



### WOODWORKING PATTERNS

Timbers catalog has hundreds of projects to make your woodworking easier and more fun. It shows designs for wooden toys, furniture, bird houses, gifts, whirligigs, clocks, planters and much more. There are pages of supplies like wood parts, brass hardware and tools, too! Build a project you can be proud of! Timbers catalog is \$1.

**Timbers, Lake Tahoe**  
Dept. T7, Carnelian Bay, CA 95711-0850

### 101 GIFT & NOVELTY PATTERNS



This wonderful packet contains 101 FULL SIZE PATTERNS of Gifts, Novelties, Lawn Figures, Bird Houses, Shelves, Action Windmills, Alphabets, and many more things. Just trace and saw out. Plus "Make Money Jig Sawing". Only \$7.00 Prepaid 1st Class for this big packet.

MASTERCRAFT PLANS WEST, DEPT 75  
P.O. Box 625, Redmond, WA 98073

### DONKEY FLOWER CART

LARGE TOOL HOUSE • MARTIN HOUSE

Plans and patterns for making 6 matched pcs. of PATIO FURNITURE, DONKEY FLOWER CART, SWISS CHALET MARTIN HOUSE, and 4x7x8 ft. TOOL HOUSE. All easily made projects, complete with directions. Only \$7 Prepaid 1st Class.



MASTERCRAFT PLANS WEST, Dept. 721  
PO Box 625, Redmond, WA 98073

### THE MAGNIFICENT MALLET



- 14-oz... \$7.50
- 18-oz... \$7.50
- 24-oz... \$7.95
- 32-oz... \$7.95

+ \$2.25 Pstge.

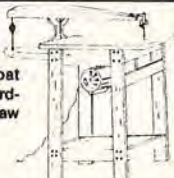
**Top Quality • Extra Durable • One-Piece Lignum Vitae Carver's Mallet**

Liberal discount to Schools and Dealers.  
**FREE 24-P. German steel tool catalog-write:**

**FRANK MITTERMEIER, INC.**  
IMPORTERS OF FINE TOOLS SINCE 1936  
Dept. WM-607, 3577 E. Tremont Avenue  
Bronx, New York 10465

### NEW! AFFORDABLE 24" KIT SCROLL SAW

FINALLY — At least a 24" throat precision scroll saw that is affordable to any woodworker — saw complete or kit form.



#### PEDAL SCROLL SAW

Beautiful all cast-aluminum reproduction of the time proven Velocipede No. 2 Scroll Saw. Great attraction when working craft shows. Total speed control, 24" throat can cut material modern scroll saws can't. Write or call—



THE TOOL COMPANY  
1306 S. Commercial  
P.O. Box 629, Dept. BHG-10  
Harrisonville, MO 64701  
(816) 884-2679

Mo. res. add 5.625% sales tax

# Brand Your Work



Personalize your wood and leather products or handicrafts with the easy to use Craftmark™ Branding Tool. Choose from four branding marks: **Logo • Maker's • Owner's • Custom**

For more information write:  
**Wall Lenk Corporation** Dept. W76  
P.O. Box 3349, Kinston, North Carolina 28502-3349

## EDLCO

**Appalachian Hardwood Specialists**  
Now Serving Craftsmen  
Select from over 21 species  
Imported And Domestic Hardwoods  
Softwoods

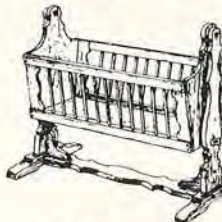
Veneers Shorts Turnings  
Kiln Dried Delivered Prices  
New Catalogue \$2.00

Write today **EDLCO**  
Box 5373 W  
Asheville, N.C. 28813  
Phone (704) 255-8765  
Stay In The Woods With Us

EDUCATIONAL LUMBER CO., INC.

## SWINGING CRADLE

EASY TO MAKE WITH



### Full-Size Plan

Authentic spindle design straight out of Colonial America. Plans show alternate construction with panel sides. Perfect for baby or use for magazines. Size: 20" x 39" x 30" high.  
Order plan #166... \$9.00

CATALOG  
180 diff., full-size prof. furniture plans—\$2.00 (catalog free with order)

FURNITURE DESIGNS, Dept. BS-76  
1827 Elmdale Ave., Glenview, IL 60025



## FREE Tool Catalog

**Quality Products For Woodworkers**

Send today for your **FREE** copy of our new colorful catalog. It's fully illustrated with the finest quality tools, supplies, books, components, hardware, and much more. **Satisfaction Guaranteed.** Write today for your **FREE** catalog.



**WOODCRAFT SUPPLY CORP.**  
Dept. WBH76  
41 Atlantic Avenue, Box 4000  
Woburn, Massachusetts 01888

## LIKE OWNING YOUR OWN LUMBER-YARD!



**NEW SOLID STATE ELECTRONIC CONTROLS!**

**FREE 30-DAY TRIAL**

Just a twist of the dial gives you from 70 to over 1,000 cuts-per-inch!

Made in U.S.A.

### Makes you money... saves you money!

New 4-in-1 power-feed shop planes, molds, joints, sands! Quickly converts low-cost rough lumber into high-value finished stock! Turns out perfect picture frame, quarter-round, casing, tongue & groove... all popular patterns... any custom design. Planes or joints without change-over. Converts in just minutes to a powerfeed drum sanding machine! This one low-cost powerfeed shop opens up a truly astonishing range of products you can make and sell. Find out how you can try this versatile tool in your own shop on our 30-day Free Trial! Easy terms.

PHONE TOLL-FREE 1-800-251-4888, ext. 2313

SEND FOR FREE FACTS TODAY



Woodmaster Tools, Inc.  
Dept. PW13, 2908 Oak  
Kansas City, MO 64108

**YES!** Please rush my **FREE** Information Kit and details on your 30-Day Free Trial Guarantee.

Name \_\_\_\_\_  
Address \_\_\_\_\_  
City/State \_\_\_\_\_ Zip \_\_\_\_\_

## BOSCH Power Tools

Jig saws  
only \$126.00



Model 1581VS

NO.	TOOL	SALE
1582VS	Orbit. Action Nob Hdle Jig Saw	\$118.00
3238VS	Unv. Shank Mult. Orbit. Jig Saw	83.00
1601	1 hp Router	104.00
1602	1 1/2 hp Router	129.00
1604	1 1/4 hp Router	110.00
1606	D-Handle, 1 1/4 hp Router	163.00
90300	Fixed Base Router, 3/4 hp	350.00
90303	Plunge Base Router, 3/2 hp	472.50
90085	3/4 hp Router	91.00
3270D	3x21 Dustless Belt Sander	122.00
1272	3"x24" Belt Sander	159.00
1272D	3"x24" Belt Sander w/Dust Collector	169.00
1273	4"x24" Belt Sander	169.00
1273D	4"x24" Belt Sander w/Dust Collector	179.00
1921VSRK	3/8" Var. Spd. Screwdriver	\$129.00
1920VSRK	3/8" Cordless Reversing Drill	99.00
1920RK	3/8" Cordless Reversing Drill	85.00
3268	Heat Gun	48.00
1158VSR	3/8" Var. Spd. Rev. Drill	54.00
1651	New Bosch 7/4" Cir. Saw, 13 amp	99.00

### HITACHI

F1000A Planer Jointer 1275.00

CALL TOLL FREE 1-800-525-0750  
In Colorado 1-800-523-6285  
Denver 355-2391

**AVIATION/INDUSTRIAL SUPPLY**  
P.O. Box 39159 • Denver, CO 80238  
**TOOLS FREIGHT PAID**

# IF YOU WANT TO BUILD LASTING MEMORIES, ELMER'S WILL SEND YOU THE PLANS.

Build a saltbox doll house. A child's table. Or winged-back chair.

Elmer's® has some special plans for that someone special. With easy-to-follow instructions for a child's doll house, table, and chair in authentic colonial designs. And because they're made with Elmer's® Carpenter's Wood Glue, you know you'll get profes-



(20" x 19" x 32")



(31" x 14" x 14")

sional results every time. Just send the UPC code number from either Elmer's Carpenter's Wood Glue or Elmer's Carpenter's Wood Filler, and we'll send you the plans for \$3.00 each. So for years of lasting memories, go with the lasting name in glue. Elmer's.

Please specify plans (doll house, table, chair) and send check or money order and UPC code number to: Elmer's Plans Offer, P.O. Box 2383, Van Nuys, CA 91409-2383.



© Borden Inc. 1986

delivered prices. Available to you are over 21 species of imported as well as domestic hardwoods, softwoods, turnings, shorts, veneers. All our lumber is kiln dried. As school shop suppliers for 34 years, we know our lumber. It is top-grade. Send today and receive your BONUS GIFT: 4 new furniture designs. EDUCATIONAL LUMBER CO., Inc. \$2.00. *Circle No. 420.*

**MACASSAR EBONY** — Professionals agree it's one of the world's hardest, rarest, and most beautiful woods. Macassar is coveted by woodworkers, artists, turners, and connoisseurs for its marbelike beauty and durability. We have the largest commercial selection of dimensional stocks in the U.S., from 1 to 8 inches thick and from 4 to 20 inches wide in random lengths to 9 ft. These are virtually unavailable elsewhere at any price. As a direct importer, we offer the lowest prices anywhere with no minimum orders. Send today for a complete description, inventory and price list (refundable with first order). ART EISENBRAND, INC. \$1.00. *Circle No. 430.*

**STATIONARY POWER MACHINES** — Available from Elektra Beckum U.S.A. Corp. — advanced technology woodworking stationary power machines with the unique Unimex Motor interchangeable concept. For complete information on Jointer/Planer, Bandsaw, Dust Extractor, Spindle/Moulder, Lathe and Combi Saw send for our catalog. ELEKTRA BECKUM U.S.A. CORP. \$1.00. *Circle No. 440.*

**DO-IT-YOURSELF GRANDFATHER CLOCK KITS** — Direct from world's largest manufacturer of grandfather clock kits. Prices starting at under \$280 including West German Westminster chiming movement. Choose from black walnut, cherry, and oak. Other quality heirloom kits also available. Send for brochure. EMPEROR CLOCK CO. 50¢. *Circle No. 450.*

**JAPANESE WOODWORKING TOOLS** — A fine selection, including chisels and gouges, sharpening stones, saws, marking tools, hatchets, knives and garden tools, from some of Japan's most respected small toolmakers. Send for catalog. FINE TOOL SHOPS. Free. *Circle No. 495.*

**RIPSTRATE SAVES FINGERS** — for table saw and radial arm saw users. Brochure describes the RIPSTRATE and shows how it gives straighter cuts, speeds, the work, prevents kickbacks, and keeps hands away from the blade. FISHER HILL PRODUCTS. 25¢. *Circle No. 530.*

**EXCELLENCE IN SHARPENING EQUIPMENT** — This two-color, 56-page catalog from Foley-Belsaw Co. provides information on its complete line of equipment used for sharpening home, garden, and industrial shop saws and tools. Each machine is fully illustrated, complete specs and pricing information are provided. FOLEY-BELSAW CO. Free. *Circle No. 550.*

**BEAT INFLATION AND HIGH LUMBERYARD PRICES** — Turn trees into valuable lumber with the world-famous ONE-MAN PORTABLE SAWMILL. Goes right to the trees — turns out smooth, truecut lumber every time. No crew needed... no experience necessary. Send for booklet. FOLEY-BELSAW CO. Free. *Circle No. 551.*

**FREE SUBSCRIPTION TO FOLEY-BELSAW NEWS BULLETIN** — For a limited time Foley-Belsaw will be giving away a 1-year subscription to their 64-page color publication. This publication includes stories and shop tips on all types of woodworking, tool sharpening, upholstery, engine repair, and locksmithing. The magazine, which is published six times a year, includes many special offers on Foley-Belsaw equipment. FOLEY-BELSAW CO. Free. *Circle No. 552.*

**CUTTING TOOLS** — Freud provides the finest in handtools and carbide cutting tools. From chisels and planes to saw blades and router bits. All this and more. Send for catalog. FREUD. \$1.00. *Circle No. 560.*

**FULL-SIZE FURNITURE PLANS CATALOG** — Illustrates and describes over 180 plans for making furniture of quality found in museums and fine furniture stores. Plans include rollout desk, cradles, dining tables, chairs, buffets, chests, gun cabinets, poker table, children's furniture, rocking horse, spinning wheels, and more. Bill of materials exploded drawings assist the woodworker. FURNITURE DESIGN, INC. \$2.00. *Circle No. 585.*

**1985-86 MASTER CATALOG** — contains 228 pages of the finest in woodworking hand tools, machinery, and finishing supplies plus over 125 books. Of particular note is the selection of Japanese tools. The format is all four-color. GARRETT WADE CO. \$3.00. *Circle No. 600.*

**BEAUTIFUL WIPE-ON WOOD FINISHING** — is explained in a booklet from a pioneer in wipe-on finishes since 1928. Wood finishes that produce a beautiful hand-rubbed finish without messy brushes or spraying. Specially formulated finishes that simply wipe-on with professional results every time — guaranteed! Unlike conventional finishes these will never yellow, crack, or craze and they dry dustfree without runs. These finishes will bring out the natural beauty of the wood and never needs waxing. Send today for your wood finishing guide and products catalog. GENERAL FINISHES. 25¢. *Circle No. 630.*

**PEG-1000 WHOLESALE** — Polyethylene glycol green wood stabilizer, 10 lbs. \$19.00 plus \$3.20 shipping. Send for additional information. GENERAL FINISHES. 25¢. *Circle No. 631.*

**EASY DOES IT** — with HTC'S power tool accessories. Discover many unique items, designed only with you, the dedicated woodworker, in mind. Make your machinery safer, increase the working area of your shop and accomplish nearly impossible tasks easily, quickly, accurately. Full-line catalog and price list. HTC PRODUCTS, INC. Free. *Circle No. 705.*

**COUNTRY FURNITURE PLANS** — Our catalog features 14 designs — from country pie safe to mini-barn. Also included are various products for the home workshopper. Send for our latest catalog. Price of catalog deducted from your first order. HAMMERMARK ASSOCIATES. \$1.00. *Circle No. 710.*

**BRASS FURNITURE HARDWARE** — This 36-page catalog shows over 500 items of authentic reproduction hardware from the 1700's and on into this century. This fine quality hardware is a must for the furniture craftsman working on a new project, or the refinisher who needs replacement hardware. HORTON BRASSES. \$2.00. *Circle No. 750.*

**NEW 1986 CATALOG OF SHAPER CUTTER PATTERNS** — For the convenience of the distributor and/or end-user, L.R.H. Enterprises, Inc. has duplicated in actual size, 600 different shaper cutter patterns in an easy-to-read catalog. This catalog is excellent for quick reference and functions as a guide for the many cutter details used in the cabinet making and furniture manufacturing industries. Catalogs include a retail price list. L. R. HUBERT SAW. \$2.00. *Circle No. 765.*

**IF YOU ARE INTERESTED IN FINE WOODWORKING** — you will not find better machinery than that sold by J.P. Humfrey Ltd. For example, we have 10-in. general tablesaws (2 HP, magnetic switch, lever-lock fence) available at \$1,295 FOB New York. Send for brochure. J. PHILIP HUMFREY LTD. \$1.00. *Circle No. 770.*

**START SMALL BUSINESS WITH NEW SCROLL SAW** — The Excalibur precision scroll saw from Canada can turn your workshop into a profit center. Make toys and puzzles, do intricate marquetry work or detailed cabinet work with these "operator friendly" machines. Hundreds sold in the U.S. already. Save, buy direct, from \$495. up. Complete project patterns and plans available. Send for brochure. J. PHILIP HUMFREY LTD. \$1.00. *Circle No. 771.*

**BUY YOUR SANDING BELTS DIRECT FROM THE MANUFACTURER** — Industrial Abrasives is the company that gives you six free belts with every dozen ordered. But, sanding belts are not the only product we have to offer. In our catalog you will find many specialty items not readily available in your hardware store. Price of catalog refunded with first order. INDUSTRIAL ABRASIVES CO. \$1.00. *Circle No. 780.*

**THE CUSHION CONTOUR SANDER** — is a new concept in pneumatic drum sanding. Sanding sleeves are slid over an air bag (inflated with a hand tire pump) on an arbor to mount it between centers on a wood lathe. Drum effectively takes on profiles, curves, and bevels practically eliminating flat spots and chatter marks. INDUSTRIAL ABRASIVES CO. Free. *Circle No. 781.*

**PROFESSIONAL SAFETY PRODUCTS** — A complete catalog of personal protective devices and work clothing available at discounted prices. Products include eye and ear protection, gloves, boots, hats, aprons, work clothing, and more. Every product is sold satisfaction guaranteed. KENCO SAFETY PRODUCTS. 25c. *Circle No. 1023.*

**AFFORDABLE INDUSTRIAL QUALITY SANDING MACHINERY** — Conveyor-fed single and dual-drum thickness sanders available in four sizes, 12, 18, 24, and 36 inches. Virtually eliminates hand sanding and improves quality, precision, and finish of your work at the same time. Plus many other products to make you more productive. Illustrated catalog and brochures. KUSTER WOODWORKERS, INC. 50c. *Circle No. 1080.*

**FROM CURVES TO CORNERS, KUSTER'S OSCILLATING VERTICAL SPINDLE SANDER GETS YOUR WORK INTO SHAPE** — Industrial quality and utility priced to fit the small to medium shop. Easy to use with exclusive straight shank spindles and separate oscillation and rotation motors. Large non-marring table tilts for total control of work position. Illustrated brochure and catalog. KUSTER WOODWORKERS, INC. 50c. *Circle No. 1081.*

**FREE LITERATURE** — New brochure showing all moisture meters and accessories for moisture meters such as interchangeable electrodes and probes and cables for in-kill moisture monitoring. Complete line of moisture meters include: Pocket-size Mini-Ligno with LED readout 6%-20%, Mini Ligno E 6%-36%, analog or digital display meters 4%-30%, 60% and a digital moisture meter with built-in compensation for different wood temperatures. LIGNOMAT USA, LTD. Free. *Circle No. 1130.*

**PRODUCTION QUALITY CARBIDE TIPPED ROUTER BITS** — MLCS Ltd. offers a full line of professional production quality carbide tipped router bits at 50-70% lower than retail prices. We sell through the mail and only direct to craftsmen. Send today for information. MLCS LTD. Free. *Circle No. 1210.*

**WOODWORKING PLANS** — Catalog of full-size plans printed on heavy paper for toys, gifts, novelties, action windmills, shelves, birdhouses, garden furniture, Dutch windmill, lawn ornaments, old-

fashioned lawn swing, jigsaw projects for children, and more. MASTERCRAFT PLANS WEST. \$1.00. *Circle No. 1216.*

**WOODWORKING BOOKS AT DISCOUNT PRICES** — Most complete listing of books for woodworkers. Each book is discounted from 10 to 25% off the cover price. There is absolutely no shipping and handling charge. Woodworking, carving, turning, project books by authors such as Krenov, Frid, Spielman, Nish, Tangerman, and Headley are listed along with many hard-to-find titles. MANNY'S WOODWORKER'S PLACE. \$2.00. *Circle No. 1217.*

**WOODWORKER'S SPECIALTIES** — 48-page catalog of plans and hard-to-find hardware for the woodworker. Brass hardware, screws, cork products, wood turnings, canister liners, clock movements, picture frame supplies, lamp parts, and more. MEISEL HARDWARE SPECIALTIES. \$1.00. *Circle No. 1220.*

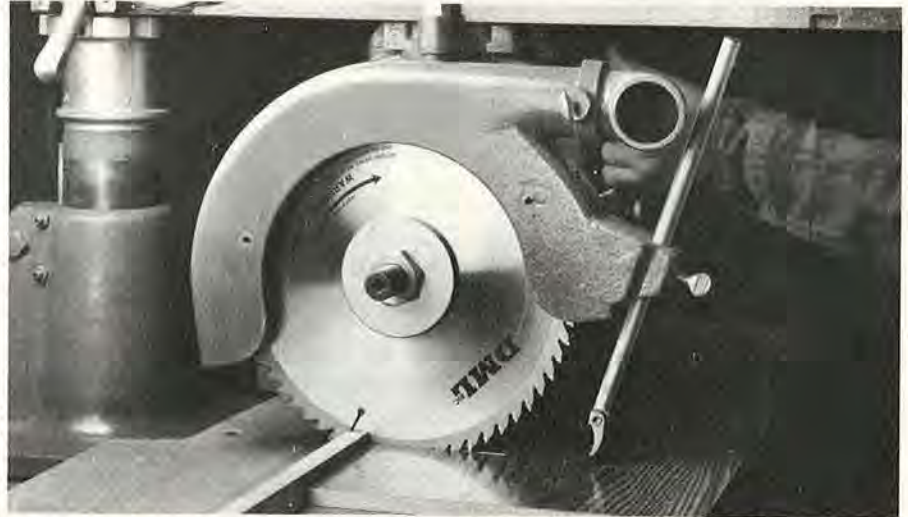
**TIPS ON WOOD FINISHING** — A comprehensive, 30-page booklet includes numerous tips that save time and trouble for do-it-yourselfers. Information ranges from small repairs to restoring the finish of a priceless antique. Also included is a chart showing the full range of colors available. The name of your nearest dealer is provided. MINWAX CO., INC. Free. *Circle No. 1240.*

**GERMAN STEEL TOOL CATALOG** — 24 pages packed with finest quality tools manufactured in Germany. Included are thousands of unusual and hard-to-find chisels, gouges, paring tools, etc. — all hardened and tempered to hold a keen edge and give a lifetime of dependable service. FRANK MITTERMEIER, INC. Free. *Circle No. 1250.*

**WOOD CARVING** — You can obtain information on learning woodcarving by sending for our literature. The offer includes sample copy of *The Mallet Magazine* and two lesson sheets on carving. NATIONAL CARVERS MUSEUM. \$1.00. *Circle No. 1300.*

**WOODWORKING TOOL CATALOGS** — R.A. Ness & Co., the Woodworkers Emporium, offers a 2-year subscription, a total of eight huge sale catalogs. Thousands of industrial quality items — machinery, hand tools, portable electric tools, and supplies — are featured at super sale prices. The fee is refundable with purchase. R. A. NESS & CO., the Woodworkers Emporium. \$4.00. *Circle No. 1310.*

**BANDSAW OWNERS** — A new tool is now available so you can make or repair any length bandsaw blade in minutes. Your slicer enables craftsmen to make up any length blade from economical coil blade stock quickly and easily. Three models are currently available to accommodate blade widths



## DML's Radi-All & Miter-All cut the push and pull of overfeed.

Everyone has experienced the problem with ordinary radial arm saw and power miter box blades. They begin to feed faster than they can cut. So you fight the machinery. Your finish gets ragged. Maybe your motor bogs down, and you risk damage to your saw.

Radi-All is a breakthrough in carbide tipped radial arm saw technology. Its specially engineered hook angle reduces overfeed; its unique tooth grind makes for a



New large 3/8" long by .160 thick premium C-4 carbide on all DML blades

smooth cut through any kind of wood. So you get a comfortable feed flow and a fine finished cut every time. You need fewer regrinds. And you don't fight the equipment.



Miter-All, with its meticulously calculated hook configuration, is another revolutionary development in saw blade design. Tipped with C-4 grade carbide, specifically engineered to enter the material at exactly the right angle, Miter-All reduces tear-out. You get a clean finished cut in any species of wood. Maximum efficiency from your equipment. And longer blade life.

Radi-All, for trim, cutoff, general purpose and hand feed mitering operations on radial arm saws. And Miter-All, for cutting picture frames, molding, and all

trim material. Both available from your DML distributor. To take the fight out of cutting wood.



# DML

Cutting everything but corners

A SUBSIDIARY OF VERMONT AMERICAN CORPORATION

For details about DML's complete line of cutting tools, fill out and mail to:  
DML, Inc. Dept. W  
1350 S. 15th Street  
Louisville, KY 40210

NAME  PHONE

COMPANY NAME

ADDRESS

CITY  STATE  ZIP



**A Finish Sander... A Thickness Sander**  
 You can use this high-tolerance machine for light dimensioning as well as the finest finish work. Because stock is power-fed at a uniform rate, you'll achieve results impossible to duplicate with hand methods or hand-held sanders. Dimensions remain exact... no more low spots, waves or cross grain marks!

**Improves Results!**

Use the Woodmaster to dimension and finish-sand cabinet pieces, resawn stock, paneling, grandfather clocks, toys, tabletops, knees, burls, crotches, and much, much more! You'll soon find it's one of the most valuable tools in your shop!

**30-Day FREE Trial!**

Send for Complete Facts! See how you can use the Woodmaster Drum Sander in your own shop for 30 days completely without risk! Easy terms.

Call Toll-Free Today 1 (800) 251-4888, ext. 2413

Woodmaster Tools, Dept. RW13, 2908 Oak  
 Kansas City, MO 64108

**YES!** Please rush my FREE Information Kit and details on your 30-Day Free Trial Guarantee.

Name \_\_\_\_\_  
 Address \_\_\_\_\_  
 City \_\_\_\_\_ State \_\_\_\_\_ Zip \_\_\_\_\_

from 1/8 to 1 1/2 in. The tool comes complete with detailed instructions and supplies. We also carry OLSON bandsaw stock at reasonable prices. Send for literature. NEW MILFORD SPECIALTIES CO. 50c. Circle No. 1315.

**PERSONAL BRANDING IRONS** — Brochure describes branding irons that enable you to put your name on you work quickly and easily. Made especially for branding wood, they are available with 1, 2, or 3 lines of copy or with your logo. Changeable date also available. NOVA TOOL CO. \$1.00. Circle No. 1380.

**LUMBER DRYING** — Nyle Corp., the largest manufacturer in the United States of dehumidification Dry Kiln Systems, offers *Introduction to Dehumidification Lumber Drying*. NYLE CORP. Free. Circle No. 1390.

**64-PAGE PROBLEM SOLVER CATALOG** — Over 700 woodworking items. Authentically reproduced furniture pulls, knobs, locks, casters, table slides, hinges, supports, latches, catches, bed hardware, veneer, chair cane, books, and much more. Satisfaction guaranteed. PAXTON HARDWARE LTD. \$3.50. Circle No. 1480.

**PEG** — Turns green wood into beautiful projects as seen on page 46 of February 1986 issue of Wood. Supplies and catalogs of other items for the home woodworker. Price of catalog refundable with first order. PITSCO. \$4.00. Circle No. 1490.

**QUARTZ CLOCK MOVEMENTS** — Our 60-page catalog features a large selection of movements, hands, dials, bezels, numerals, weather instruments, prints, as well as a full-line of clock making supplies. Thousands of ultra-thin pendulum and chime movements in stock at all times. Most orders shipped within 48 hours. PRECISION MOVEMENTS. Free. Circle No. 1555.

**THE REVOLUTIONARY PARALOK TABLE SAW FENCE** — makes cutting at least seven times more accurate and much faster. Single-handed operation works on the same principle as a drafting table, fence is always parallel to blade. Adjustable at intervals of 1/64 in. Send for more information. QUINTEC MARKETING. \$1.00. Circle No. 1585.

# MITER SAWS!

**DELTA**  
 10" 34-080 ..... Call For Price  
 10" 33-150 Sawbuck, List \$707. \$498

**BLACK & DECKER.**  
 8 1/4" 9425, List \$179 ..... Now \$108  
 9" 7715, List \$234 ..... Now \$138  
 10" 7718, List \$229 ..... Now \$138  
 10" 1703, List \$260 ..... Now \$158

**Makita**  
 10" LS1000, List \$348 ..... Now \$198  
 8 1/4" 2708, List \$336 ..... Now \$198

**HITACHI**  
 10" C10FA, List \$419  
 Now \$238

LIMITED QUANTITY • FREE FREIGHT

**acme Electric**

**TOOL CRIB OF THE NORTH**

**CALL TOLL FREE FOR MIKE**  
**1-800-358-3096**

**TOOLS ON SALE** — A division of Seven Corners Ace Hardware Inc. offers a comprehensive catalog featuring over 190 pages of the most competitive prices in the industry. If you're looking for savings and fast delivery on over 1,800 items, request our catalog. This catalog offers one of the most complete selections of power tools available anywhere from the most respected manufacturers in the industry: Milwaukee, Makita, Porter-Cable, Black & Decker, Freud, Bosch, Delta, and many more. SEVEN CORNERS ACE HARDWARE INC. Free. Circle No. 1670.

**LETTER LAYOUT GUIDES** — Brochure containing complete information about a new product of special interest to scroll sawers, carvers, and wood sign makers. A lettering guide to layout large letters and numbers to be cut in wood or other materials. Made from a durable plastic material for years of use. Price of brochure is refundable with first order. SEYCO SALES CO. \$3.00. Circle No. 1710.

**LAMINATED SOUTHERN PINE TABLE TOP** — Make your own woodworker's bench. Send for information. SOUTHERN PINE. Free. Circle No. 1740.

**PORTABLE SAWMILL SYSTEM** — You can harvest your own wood with the Sperber Sawmill. No need for heavy equipment. Cut lumber to size where it falls. Many of our customers have paid-off their mill with one weekend's cutting — or less. Send today for brochure package and start milling your own wood. SPERBER TOOL WORKS. \$1.00. Circle No. 1743.

**SYSTEMS IN JOINERY** — New 25-page illustrated catalog featuring many uses of the joint-matic and introduction of other high quality machines, fixtures, and cutting tools that make many of the more difficult tasks in woodworking easier. STRONG TOOL DESIGN. \$2.00. Circle No. 1745.

**CABINET MAKERS' TOOLS AND SUPPLIES** — New 224-page catalog of fine hand and power tools for cabinet makers or serious woodworkers. Also featured are three sections on hardware, supplies, and cutting tools. This catalog takes the mystery out of using European hardware. A must reference for the woodworker. THE SOURCE. \$3.00. Circle No. 1810.

# KILN DRY YOUR OWN LUMBER

**nyle corporation**  
 the nation's largest manufacturer of dehumidification dry kilns is now offering small 500 to 10,000 board feet drying systems.

- ★ Made completely in the USA
- ★ The leader of the industry
- ★ Offering excellent warranties
- ★ Expert consultation and service

## nyle DRY KILN SYSTEMS

P.O. Box 1107-A  
 Bangor, Maine 04401  
 Call toll free 1-800-648-9200  
 In Canada or Maine  
 Call 207-989-4335

**TIMBERS COUNTRY STORE** — Catalog features hundreds of woodworking supplies, toy patterns, furniture patterns, tool use and instruction books, woodworking pattern books, hardwood toy and furniture parts plus many hard to find tools and shop supplies. TIMBERS COUNTRY STORE. Free. Circle No. 1820.

**ATTENTION WOODWORKERS** — Learn how you can afford a quality 24 in. scroll saw that you build from a kit. Also ask how, with the WHEEL-RIGHT, you can mass-produce wooden wheels by using your drill press. THE TOOL COMPANY. \$1.00. Circle No. 1840.

**TOYMAKERS SUPPLIES** — Catalog of over 100 full-size wooden toy patterns — classic to contemporary designs from Packard Le Baron to Streamlined train and moon machine. Easy to follow, fully illustrated patterns which appeal to all ages. Hardwood wheels, shaker pegs, axles, etc., in stock. Accessory kits of pattern and turnings available. TOY DESIGNS. \$1.50. Circle No. 1860.

**CLASSIC CARS AND TRUCKS** — Flyer of seven full-size wooden toy patterns of early 1900's motor vehicles — 1912 White Gas Truck, 1929 Chrysler Imperial, 1924 Dodge Delivery Van, 1931 Packard Le Baron, 1915 Peirce Arrow, 1926 Gramham Brothers Truck, and 1929 Chevy Truck. Easy to follow instructions, pictorial assembly views and complete stock list. Two inch spoked wheels available to compliment these designs. TOY DESIGNS. 40c. Circle No. 1861.

**TOYMAKER'S SUPPLY COMPANY** — has your best bulk price on quality wooden toy parts and toy plans. Over 50 turnings to make your toys professional looking. Send for catalog. TOYMAKER'S SUPPLY CO. Free. Circle No. 1863.

**WOOD TOY PATTERNS** — Patterns for all ages including children's patterns and executive toys. New catalog has many new patterns to choose from including parts and wheels. Send for new catalog and receive a coupon for free wheels and axle pegs. TOYS AND JOYS. \$1.00. Circle No. 1865.

**IF YOU ARE INTERESTED IN RESTORING ANTIQUES** — this 112-page catalog packed with un-



usual, hard-to-find items is just for you. Included are hundreds of essential items for antique restoration including top quality brass reproduction hardware, oil lamps and accessories, numerous wood component repair parts and kits, caning and basketry supplies, everything needed for wood refinishing, related tools, books, and a complete line of upholstery equipment and supplies. All at wholesale prices. Send for this informative catalog. VAN DYKE SUPPLY CO. \$1.00. Circle No. 1970.

**SOLID WOOD CLOCK KITS** — Full-color catalog of beautiful, easy-to-make clocks. Grandfather, mantel, and wall clocks. All solid wood with solid brass pre-assembled movements. All parts hand-cut for perfect assembly even by beginners. VIKING CLOCK CO. 50¢. Circle No. 1980.

**WOODCARVING TOOLS** — Whittlers and carvers — Warren Tool Co. offers a catalog for you full of whittling and carving hand/power tools, books, stones, wood, and supplies. Since 1927, the finest in woodcarvers tools. WARREN TOOL CO., INC. 60¢. Circle No. 2020.

**BEAUTIFUL WOOD FINISHING** — with Watco Danish Oil Wood Finish. Full-color *How to Beautifully Finish Wood* booklet enables anyone to create professional finishes the first time with all types of wood. One application of Watco Wood Finish seals, primes, finishes, hardens, protects, beautifies, penetrates deeply into the wood; outlasts surface coats three to one. Eight attractive Danish Oil colors now available. Eliminates pre-staining. WATCO-DENNIS CORP. Free. Circle No. 2025.

**WOOD FINISHING SUPPLIES** — A 35-page catalog of everything needed for finishing wood. From strippers, abrasives, stains, shellacs, varnish, lacquer, oil finishes, solvents, thinners, rubbing mediums, books, brushes, touch-up items, respirators, tack rags, to gold leaf and gilding supplies. The first 8 pages of this catalog are devoted to helpful information on how to use these materials. WOOD FINISHING SUPPLY CO., INC. \$2.50. Circle No. 2062.

**WOODWORKERS CATALOG** — More than a catalog — it's one of the best sources for quality wood-working tools. You'll find everything from bit braces to wood borers, from saws to sharpening stones. Every product is sold satisfaction guaranteed. WOODCRAFT SUPPLY CORP. Free Circle No. 2070.

**THE JAPAN WOODWORKER'S 1986 CATALOG** — is loaded with the best tools you can get your hands on. In our catalog you will find a complete selection of Japanese tools for the woodcarver, carpenter, and cabinet maker. Send for catalog plus supplements for next two years. WOODLINE-THE JAPAN WOODWORKER. \$1.50. Circle No. 2075.

**POWER-FEED DRUM SANDER** — Use the Woodmaster Model 1200 to dimension and finish sand cabinet pieces, resawn stock, paneling, grandfather clocks, toys, table tops, knees, burls, crotches, and much more. Choose from 12-in. and 26-in. models complete with motor and stand. 30 day free trial... easy terms. Send for information kit. WOODMASTER TOOLS. Free. Circle No. 2080.

**HIGH PRECISION SCROLL SAW** — The sturdy, new Woodmaster Model 1600 gives you all the features found in more expensive machines including big, 16-in. throat capacity, 2-in. cutting depth, a generous, oversized worktable, ball-bearing drive... and much more! Send for complete facts. See how you can use the Woodmaster Model 1600 in your own shop for one full month completely without risk. Send for information kit. WOODMASTER TOOLS, INC. Free. Circle No. 2081.

**GIANT 24½-IN., 3-SPEED BAND SAW** — Big 24½-in. throat easily handles large scrollwork, complex curves, 4x8 sheets. 9-in. vertical cut makes it easy to resaw valuable hardwoods. Ball bearing construction, all-steel welded frame to eliminate deflection. Can be ordered complete with motor, stand, dust collector, rip fence, scroll saw table. Full instructions. Send for complete facts on how you can try this versatile saw without risk. Easy terms. WOODMASTER TOOLS, INC. Free. Circle No. 2082.

**PLANER/MOLDER/JOINTER/SANDER** — This variable speed, power feed tool converts low-cost lumber into valuable finished stock. Turns out perfect quarter-round, casing, base mold, tongue and groove... all popular patterns including picture frames. Joints super-true edges, squared stock,

bevels and chamfers. Optional sanding attachment quickly converts unit to one of the finest drum sanders available. 30-day free trial... easy terms. Send for information kit. WOODMASTER TOOLS, INC. Free. Circle No. 2083.

**WOODWORKER SUPPLIES** — Thirty-year-old company offers a very interesting line of unique supplies. Most items are hand illustrated in this 112-page, well organized, full-color catalog. Included are veneers, hardwoods, wood parts, specialty hardware, furniture trim, finishes, books, plans, etc. THE WOODWORKERS' STORE. \$1.00. Circle No. 2120.

**WOODWORKERS SUPPLY** — Offers high quality tools and supplies for skilled, amateur, and professional woodworkers. Our complete catalog includes machinery, hand tools, plans, router bits, shaper cutters, wood specialties, and more. For your two year subscription send to WOODWORKERS SUPPLY OF NEW MEXICO. \$2.00. Circle No. 2125.

**WOODWORKING ASSOCIATION OF NORTH AMERICA** — First international association for woodworkers. Benefits include our quarterly magazine *International Woodworking*, specials from selected manufacturers, group health and life insurance, access to the woodworking network. WOODWORKING ASSOC. OF NORTH AMERICA. 50¢. Circle No. 2127.

**QUALITY AMERICAN-MADE WOOD TURNINGS** — such as shaker pegs, spindles, toy wheels, toy parts, craft items, and dowel rods in birch, oak, walnut, and cherry. Send for complete 32-page catalog. WOODWORKS. \$1.00. Circle No. 2130.

**WOOD WORLD CATALOG** — Send for your catalog on lumber, veneer, hand and power tools, with helpful hints on how to use your tools and materials to their best advantage. Send for complete color catalog. WOOD WORLD. \$2.50. Circle No. 2140.

**WOODWORKING MACHINERY CATALOG** — Workbench Tool Co. is now offering the Powermatic 26 spindle shaper, 3 hp., 1 ph., ½ to ¾ in. spindles, reversing switch for only \$1625 FOB. Send for

catalog. WORKBENCH TOOL CO. \$2.00. Circle No. 2145.

**PROJECT PLANS FOR WOODWORKERS** — Professionally designed projects include furniture, playthings, and accessories, to more complex projects such as storage sheds and gazebos. These plans are designed using readily available materials, keeping in mind standard sizes of lumber. Instructions are clear and concise, and occasionally include tips that will make your job easier. Some plans have a cut-out materials list to take with you to the lumber yard. All plans are current, and we are constantly adding to our line. Order our catalog now and get started! THE WORKSHOP BLUE-PRINT CO. \$2.00. Circle No. 2150.

**EXOTIC HARDWOODS** — Wyndham Woods offers the finest exotic hardwoods, precision cut and dried to our specifications at a modern European mill. As a direct importer we can offer substantial savings on such fine woods as padouk, mahogany, shedua, doussie, zebra wood, and many others, as well as domestic species and veneers. For the best wood at the best prices, send for our catalog. WYNDHAM WOODS, INC. \$1.00 (Refundable with order). Circle No. 2160.

**WOODWORKING POWER TOOLS AND MACHINERY** — A selection of full-line catalogs from leading manufacturers featuring complete specifications and accessory listings; discount price lists included. THE XYLOPHILE'S CO. \$2.50. Circle No. 2170.

**DOOR SHOP™ MANUAL AND CATALOG** — The 35-page Door Shop™ manual is clearly written and beautifully illustrated with over 156 detailed drawings covering the complete process of door building. Each section covers proper methods and exact set-ups for the router table, including how to recognize and correct for errors. There are sections covering design, lumber selection, measuring, panel raising, rail and stile fitting, guides, clamping, gluing, and finishing. This is the most comprehensive manual out today. When you purchase the Door Shop™ manual for \$5.00 you also receive a 32-page router bit and shaper cutter catalog free. \$5.00 rebated with purchase of our Door Shop™ or Panel Raiser™ bits. ZAC PRODUCTS INC. \$5.00. Circle No. 2195.

# Information

WORTH WRITING FOR

Better Homes and Gardens®  
WOOD MAGAZINE, August, 1986  
Dept. JAW06  
P.O. BOX 2051  
CLINTON, IA 52732

TO ENSURE PROMPT HANDLING OF YOUR ORDER FOLLOW THESE INSTRUCTIONS:

- Circle your choice
- Enclose cash, check, money order for cost of booklets plus \$2.00 service charge (no stamps/foreign)
- Send coupon and remittance to address above
- ALLOW 4-6 WEEKS FOR DELIVERY
- Coupon expires August 17, 1987

## WOOD SUBSCRIPTION

1. A 1 year WOOD subscription (6 issues) for \$15.00 — a \$6.00 savings off newstand rate. Allow 6-8 weeks for first issue. Add \$6.00 outside U.S. Be sure to include payment with total below.

## FREE LITERATURE

Circle numbers below corresponding to items in this issue. Please include \$2.00 for handling charge

317	551	1130	1390	1820	2080
402	552	1210	1555	1863	2081
495	705	1240	1670	2025	2082
550	781	1250	1740	2070	2083

## PRICED LITERATURE

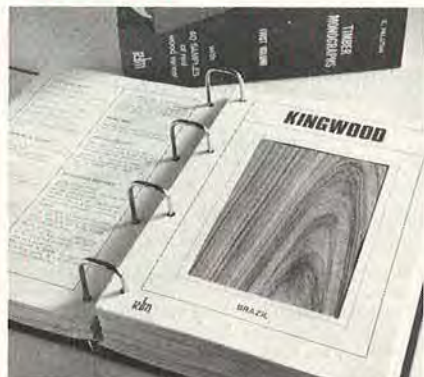
Numbers below refer to items on which there is a charge. Please include proper remittance.

2...\$1.00	245...\$1.00	320...\$1.00	710...\$1.00	1300...\$1.00	1860...\$1.50	2140...\$2.50
3...\$1.00	250...\$1.00	350...\$1.00	750...\$2.00	1310...\$4.00	1861...40¢	2145...\$2.00
12...\$2.00	258...\$1.00	420...\$2.00	765...\$2.00	1315...50¢	1865...\$1.00	2150...\$2.00
45...\$1.00	259...\$1.00	430...\$1.00	770...\$1.00	1380...\$1.00	1970...\$1.00	2160...\$1.00
50...\$2.00	260...\$1.00	440...\$1.00	771...\$1.00	1480...\$3.50	1980...\$1.00	2170...\$2.50
60...\$1.00	270...\$1.00	450...50¢	780...\$1.00	1490...\$4.00	2020...60¢	2195...\$5.00
65...\$1.00	272...\$3.00	530...25¢	1023...25¢	1585...\$1.00	2062...\$2.50	
66...50¢	275...\$1.00	560...\$1.00	1080...50¢	1710...\$3.00	2075...\$1.50	
85...50¢	285...\$3.00	585...\$2.00	1081...50¢	1743...\$1.00	2120...\$1.00	
115...\$2.00	303...\$1.00	600...\$3.00	1216...\$1.00	1745...\$2.00	2125...\$2.00	
150...\$4.50	304...\$3.00	630...25¢	1217...\$2.00	1810...\$3.00	2127...50¢	
230...\$1.00	308...\$2.00	631...25¢	1220...\$1.00	1840...\$1.00	2130...\$1.00	

Name (please print) \_\_\_\_\_  
Address \_\_\_\_\_  
City \_\_\_\_\_  
State \_\_\_\_\_ Zip Code \_\_\_\_\_

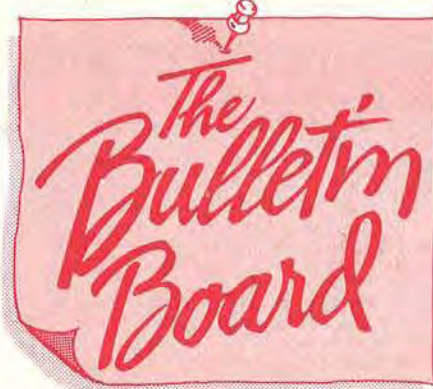
**I AM ENCLOSING:**  
\$ \_\_\_\_\_ for priced items  
\$ 2.00 for handling  
\$ \_\_\_\_\_ total remittance

## TIMBER MONOGRAPHS: WHAT YOU SEE IS WHAT YOU REALLY GET



When would you pay \$130 for three "books" that total less than 300 pages? Answer: When 120 of those pages boast real,  $3\frac{3}{4} \times 5\frac{1}{2}$ " veneer samples of some of the prettiest wood you've ever seen.

Palutan Publishing has assembled a classy, three-volume, ring-bound set, called *Timber Monographs*, which describes 120 wood species from around the world. The books tell you all you need to know about each species to use it in woodworking—



## FACTS, FACES & FABLES OF INTEREST TO HOME WOODWORKERS

**Tiny timber managers.** Don't step on those little ants on your next hike in the woods! English scientists believe that wood ants help trees by eating insects that eat leaves. Insects that lunch on leaves can reduce a tree's foliage by 10 percent, reducing timber production by 30 percent.

then wows you with a sample. One hundred-thirty dollars is a substantial outlay, but if you're really into wood—what the heck!

For a free brochure describing them, write: *Palutan Publishing Corp., Dept. W, 144-19 75th Ave., Flushing, NY 11367.*

## AROUND THE NATION

We want to hear from you! Items must be received a minimum of five months prior to publication date. (For example, events for the December issue must reach us by July 1). Sorry, only items of regional and national interest can be considered for inclusion.

### Tenth Annual American Crafts Festival, July 5-6

Lincoln Center, New York, N.Y. Juried show and sale of handcrafted work, including carvings and other wood items.

### Ann Arbor Art Fair, July 23-26

Downtown Ann Arbor, Mich. America's first and foremost art and craft fair. About 1,000 exhibitors in sidewalk booths throughout the downtown area. Many woodworkers.

### 40th Annual Pacific Northwest Arts & Crafts Fair, July 25-27

Bellevue Square, Bellevue, Wash. One of the oldest and largest crafts fairs in Northwest. All media, lots of woodworkers.

### International Decoy Contest, Aug. 15-17

River Center, Davenport, Iowa. Juried show and sale of wild fowl carvings, paintings, and prints. Sponsored by Affiliated Wood Carvers.

### International Wood Collectors Society Annual Meeting, Aug. 17-22

Christian Athletes Conference Center, Roachdale, Ind. Exhibit of exotic and unusual native wood items made by members. Outdoor seminar on spalted wood. Collector's wood auction. Open to public. Lodging limited. Contact William Perkins, Chairman, RR #2 Box 345, Roachdale, IN 46172. Phone 317/522-1592.

## DELTA

### THE BIG NAME FROM THE LITTLE GARAGE IN MILWAUKEE

Young machinists Herbert E. Tautz and William Peters found bustling post-World War I Milwaukee perfect for a new industry—home power tools.


Working spare time in a one-car garage on N. Fifth Street, they designed a water-cooled dental tray and a micrometer that in 1919 launched the Delta Specialty Company. Then, the partners charted a new course.

Before the 1920s, most woodworking machinery had been large, heavy, and expensive. Tautz wanted to design and sell affordable, compact home woodworking equipment. But Peters had had enough, and left the business in 1923. Delta's first woodworking tool—a hand-operated, benchtop scroll saw that sold for \$20—

emerged in the mid-1920s.

Tautz then added the *Handi-Shop*—a circular saw, lathe, and scroll saw combined—and a line of *Homecraft* tools. His firm grew to 250 employees.

In the 1940's, Delta was purchased by the forerunner of Rockwell International. After World War II, the company relocated to larger facilities in Ohio and Mississippi. A few years later, Delta officially changed its name to Rockwell Power Tool.

Now, 67 years after its founding, the company is Delta again. As a subsidiary of Pentair, Inc., Delta International Machinery Corp. headquarters in Pittsburgh, employs 1,500 people in three countries, and sells 450 machines. 



All-American success story: Delta began in this one-car garage on Milwaukee's N. Fifth Street.

In World War II, Delta patriotically urged woodworkers to postpone buying their power tools.



# freud®

## SUPERSALE



Item	Description	List	Sale
LU72M010	10 x 40 Gen. Purpose ATB	\$ 68.58	\$ 39.90
LU73M010	10 x 60 Gen. Purpose ATB	79.95	44.90
LU81M010	10 x 40 Gen. Purpose TCG	69.30	42.90
LU82M010	10 x 60 Gen. Purpose TCG	86.50	47.90
LU84M011	10 x 50 Combination 4 & R	74.51	44.50
LU85M010	10 x 80 Fine Cut Off ATB	110.88	73.50
LM72M010	10 x 24 Rip Flat Top	64.85	44.50
PS203	7 1/4 x 24 Gen. Purpose ATB	27.45	18.99
PS303	7 1/4 x 40 Gen. Purpose ATB	32.97	24.99
DS306	6" Dado Max. Width of Cut 1 3/16"	146.90	109.50
DS308	8" Dado Max. Width of Cut 1 3/16"	179.90	119.50

NOTE: All Saws and Dado have 5/8" Bore  
 ATB = Alternate Top Bevel  
 4 & R = 4 Teeth & 1 Raker Tooth  
 TCG = Triple Chip Grind

### Call Us Toll Free!

FOR THE NAME OF YOUR LOCAL DISTRIBUTOR:

- In California Call Toll Free: 1-800-824-0141
- If You Live In This Area: 1-800-824-8045
- If You Live In This Area Call Toll Free (Outside NC) 1-800-334-4107



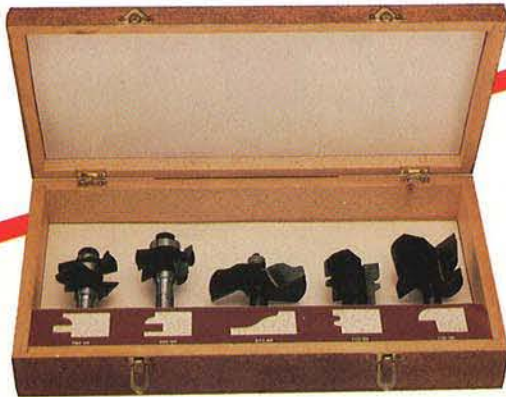
# freud

218 Feld Ave., High Point, NC 27264  
 (919) 434-3171

1570 Corporate Dr., Suite G  
 Costa Mesa, Cal. 92626  
 (714) 751-8866

**SALE ENDS  
 DECEMBER 31, 1986**

NEW FROM **freud**® FOR...



## ROUTING

Freud's new 5 piece router bit door system allows you to produce raised panel cabinet doors with your 1/2" chuck router. Each bit is made with the finest carbide available and sharpened with a 600 grit diamond wheel.

The bit profiles are: rail and stile , raised panel door lip , glue joint . The bits come in a wooden, box jointed case for ease of storage.

As a set, the 94-100 list for **\$248<sup>00</sup>** ..... Sale Price **\$199<sup>00</sup>**



## SHAPING

Freud's new 5 piece cabinet set for the 3/4" - 1/2" shaper comes with rail and stile, raised panel, door lip and glue joint cutters. A box jointed, wooden case is included for ease of storage and prevention of damage.

The cutter profiles are: rail and stile , raised panel door lip , glue joint . The cutters are made with the highest of manufacturing standards and materials. If purchased individually, they would cost \$510.00.

As a set, the EC-900 list for **\$499<sup>00</sup>** ..... Sale Price **\$349<sup>00</sup>**



## BORING

Freud's new 16 piece Forstner bit set comes in a box jointed, wooden storage case. These bits, guided by their rim, will create a clean flat bottom hole in wood. A special heat treated steel is used in their production to assure long lasting edges.

The 16 bits range in size from 1/4" to 2 1/8" in 1/8" increments. These bits will fit any stationary or portable drill using a 3/8" or larger chuck.

The FB-100 Forstner bit set list for **\$249<sup>00</sup>** ..... Sale Price **\$199<sup>00</sup>**



## DRILLING

Freud's new 50 piece drill bit set comes with a heavy duty carrying case for ease of storage and protection. This set consists of: A) 25 high speed steel bits (1/16" - 1/2" in 1/16 increments) B) 4 high speed steel bits for use in sheet metal (1/4, 3/16, 1/8, 3/32) C) 6 chrome vanadium steel brad point bits for use in wood (1/8, 5/32, 3/16, 1/4, 5/16, 3/8) D) 6 carbide tipped masonry bits with hex shanks (5/32, 3/16, 1/32, 1/4, 5/16, 3/8) E) 1 center punch, 2 Allen keys and 6 depth stops to set bits at pre-determined depths.

These bits will fit any stationary or portable drill using a 3/8" or larger chuck. The DB-050 drill bit set list for **\$89<sup>00</sup>** ..... Sale Price **\$69<sup>00</sup>**

For The Name Of Your Local Distributor:  
 Call Toll Free (outside N.C.) 1-800-334-4107  
 In North Carolina Call 1-919-434-3171